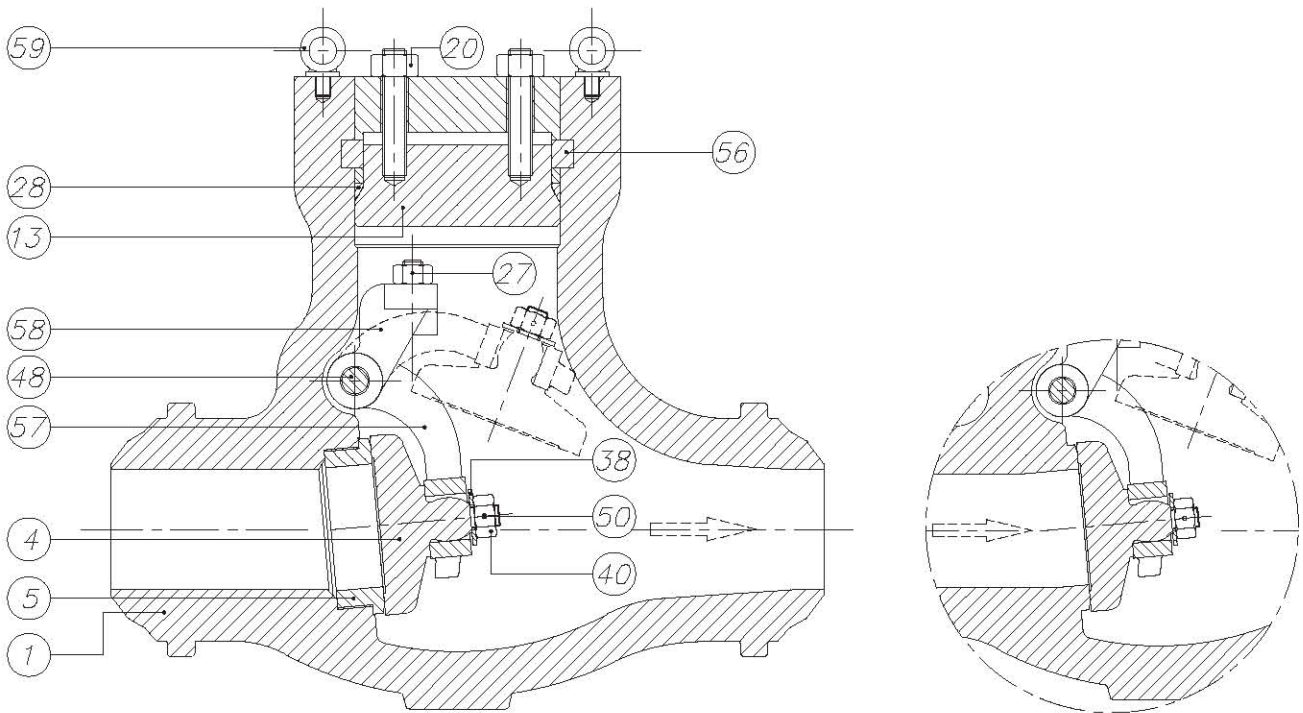




| GATE, GLOBE & CHECK VALVES |

# CHECK VALVES PRESSURE SEAL

2" - 20" | Class 900 - Class 2500

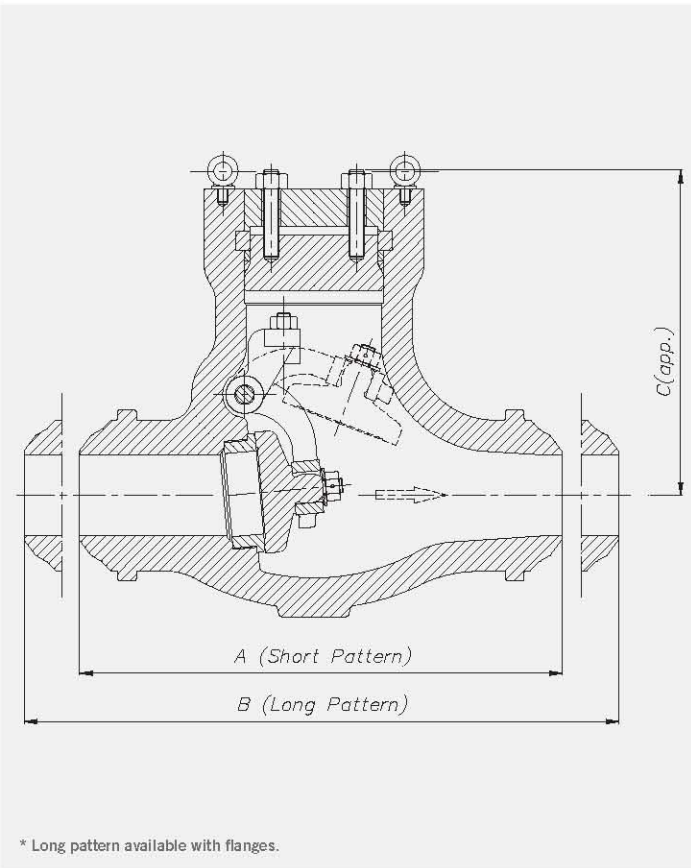


Stainless steel construction.

BILL OF MATERIALS		TRIM 8	TRIM 2	TRIM 8	TRIM 10
Item	Description	Carbon Steel	Carbon Steel (Low Temp.)	Alloy Steel	Stainless Steel
1	Body	A 216 Gr. WCB	A 352 Gr. LCB	A 217 Gr. C5	A 351 Gr. CF8M
4	Disc	A105 + ER 410	A 182 Gr. F304	A 182 Gr. F6a	A 182 Gr. F316
5	Seat Ring	A105 + Stellite	A 182 Gr. F304	A 182 Gr. F6a + Stellite	----
13	Cover	A 216 Gr. WCB / A 515 Gr. 70	A 352 Gr. LCB / A 182 Gr. F304	A 217 Gr. C5	A 351 Gr. CF8M
20	Cover Bolt & Nut	A 193 Gr. B7 / A 194 Gr. 2H	A 320 Gr. L7 / A 194 Gr. 7	A 193 Gr. B7 / A 194 Gr. 2H	A 193 Gr. B7 / A 194 Gr. 2H <sup>(1)</sup>
27	Bracket Stud & Nut	A 193 Gr. B8 / A 194 Gr. 8	A 193 Gr. B8 / A 194 Gr. 8	A 193 Gr. B8 / A 194 Gr. 8	A 193 Gr. B8M / A 194 Gr. 8M
28	Gasket	SS304L or Graphite	SS304L or Graphite	SS304L or Graphite	SS316L or Graphite
38	Washer	AISI 410	AISI 304	AISI 410	AISI 316
40	Disc Nut	AISI 304	AISI 304	AISI 304	AISI 316
48	Hinge Pin *	A182 Gr. F6a	A182 Gr. F304	A182 Gr. F6a	A 182 Gr. F316
50	Split Pin	AISI 304	AISI 304	AISI 304	AISI 316
57	Hinge	A 216 Gr. WCB / A 515 Gr. 70	A 352 Gr. LCB	A 217 Gr. C5	A 351 Gr. CF8M
58	Hinge Bracket	A 216 Gr. WCB / A 515 Gr. 70	A 352 Gr. LCB	A 217 Gr. C5	A 351 Gr. CF8M
59	Lifting Hook	A105	A105	A105	A105

Item 5 only in Carbon Steel and Alloy Steel construction.  
\* It's also manufactured with Hinge Pin Passing through Body with Plug.  
<sup>(1)</sup> Zinc coating.

Sizes 2" to 16"



### TRIM

API 600 TRIM N°	Nominal TRIM	Stem / Backseat	Seating Surface Body / Wedge
1	F6	13Cr	13Cr
2	304	18Cr-8Ni	18Cr-8Ni
3	F310	25Cr-20Ni	25Cr-20Ni
4	Hard F6	13Cr	Hard 13Cr
5	Hardfaced	13Cr	Co-Cr A
5A	Hardfaced	13Cr	Ni-Cr
6	F6 and Cu-Ni	13Cr	13Cr and Cu-Ni
7	F6 and Hard F6	13Cr	13Cr and Hard 13Cr
8	F6 and Hardfaced	13Cr	13Cr and Co-Cr A
8A	F6 and Hardfaced	13Cr	13Cr and Ni-Cr
9	Monel	Ni-Cu Alloy	Ni-Cu Alloy
10	316	18Cr-8Ni-Mo	18Cr-8Ni-Mo
11	Monel and Hardfaced	Ni-Cu Alloy	Ni-Cu Alloy and Trim 5 or 5A
12	316 and Hardfaced	18Cr-8Ni-Mo	18Cr-8Ni-Mo and Trim 5 or 5A
13	Alloy 20	19Cr-29Ni	19Cr-29Ni
14	Alloy 20 and Hardfaced	19Cr-29Ni	19Cr-29Ni and Trim 5 or 5A
15	Hardfaced	18Cr-8Ni	Co-CrR A
16	Hardfaced	18Cr-8Ni-Mo	Co-CrR A
17	Hardfaced	18Cr-10Ni-Cb	Co-CrR A
18	Hardfaced	19Cr-29Ni	Co-CrR A

HF: Hard Facing using CoCr welding alloy (Stellite)

### Materials

ACC. / ASME B16.34  
DI, WCB, WCC, WC1, WC6, WC9, C5, C12, LCB, LCC, GF8, GF8C, CF8M, CF3, CF3M,  
DUPLEX, SUPERDUPLEX, EXOTIC MATERIALS.

### General dimensions

DN	A	B	ØC	WEIGHT (App.) <sup>(*)</sup>
50 (2")	216	368	255	40
65 (2½")	254	419	275	55
80 (3")	305	381	295	70
100 (4")	356	457	335	95
125 (5")	432	559	395	125
150 (6")	508	610	435	195
200 (8")	660	737	530	290
250 (10")	787	838	605	425
300 (12")	914	965	700	680
350 (14")	991	1029	805	975
400 (16")	1092	1130	925	1405

<sup>(\*)</sup> BW ends, short pattern.

Dimensions in mm and weight in kg.

Weights and dimensions can be changed without notice.

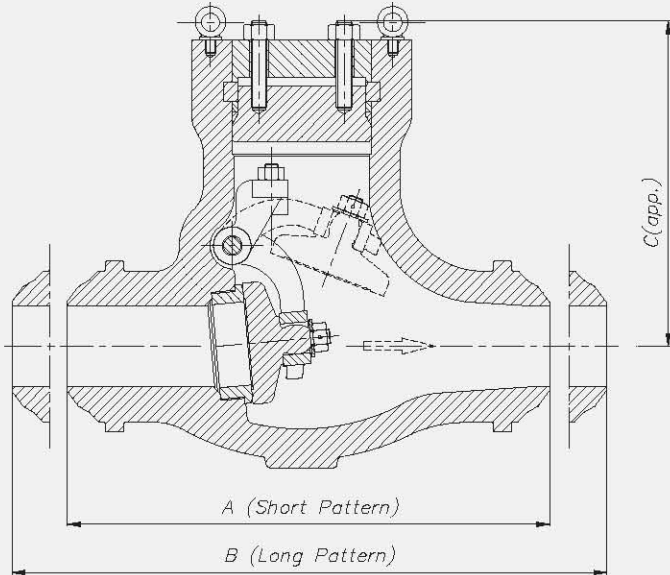
Bigger sizes available under customer request.

## ASME B16.34 PRESSURE SEAL

Class 1500

VR1500PS

Sizes 2" to 16"



\* Long pattern available with flanges.

### TRIM

API 600 TRIM N°	Nominal TRIM	Stem / Backseat	Seating Surface Body / Wedge
1	F6	13Cr	13Cr
2	304	18Cr-8Ni	18Cr-8Ni
3	F310	25Cr-20Ni	25Cr-20Ni
4	Hard F6	13Cr	Hard 13Cr
5	Hardfaced	13Cr	Co-Cr A
5A	Hardfaced	13Cr	Ni-Cr
6	F6 and Cu-Ni	13Cr	13Cr and Cu-Ni
7	F6 and Hard F6	13Cr	13Cr and Hard 13Cr
8	F6 and Hardfaced	13Cr	13Cr and Co-Cr A
8A	F6 and Hardfaced	13Cr	13Cr and Ni-Cr
9	Monel	Ni-Cu Alloy	Ni-Cu Alloy
10	316	18Cr-8Ni-Mo	18Cr-8Ni-Mo
11	Monel and Hardfaced	Ni-Cu Alloy	Ni-Cu Alloy and Trim 5 or 5A
12	316 and Hardfaced	18Cr-8Ni-Mo	18Cr-8Ni-Mo and Trim 5 or 5A
13	Alloy 20	19Cr-29Ni	19Cr-29Ni
14	Alloy 20 and Hardfaced	19Cr-29Ni	19Cr-29Ni and Trim 5 or 5A
15	Hardfaced	18Cr-8Ni	Co-CrR A
16	Hardfaced	18Cr-8Ni-Mo	Co-CrR A
17	Hardfaced	18Cr-10Ni-Cb	Co-CrR A
18	Hardfaced	19Cr-29Ni	Co-CrR A

HF: Hard Facing using CoCr welding alloy (Stellite)

### Materials

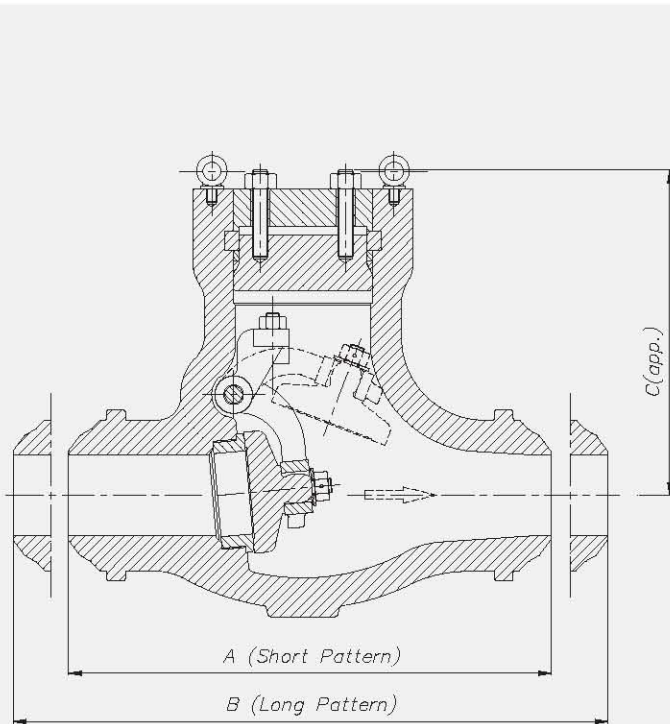
ACC. / ASME B16.34  
 DI, WCB, WCC, WC1, WC6, WC9, C5, C12, LCB, LCC, CF8, CF8C, CF8M, CF3, CF3M,  
 DUPLEX, SUPERDUPLEX, EXOTIC MATERIALS.

### General dimensions

DN	A	B	ØC	WEIGHT (App.) <sup>(*)</sup>
50 (2")	216	368	310	45
65 (2½")	254	419	310	65
80 (3")	305	470	330	80
100 (4")	406	546	355	140
125 (5")	483	673	380	205
150 (6")	559	705	400	407
200 (8")	711	832	530	605
250 (10")	864	991	560	1091
300 (12")	991	1130	650	1369
350 (14")	1067	1257	770	2015
400 (16")	1194	1384	915	2520

<sup>(\*)</sup> BW ends, short pattern.  
 Dimensions in mm and weight in kg.  
 Weights and dimensions can be changed without notice.  
 Bigger sizes available under customer request.

Sizes 2" to 12"



\* Long pattern available with flanges.

### TRIM

API 600 TRIM N°	Nominal TRIM	Stem / Backseat	Seating Surface Body / Wedge
1	F6	13Cr	13Cr
2	304	18Cr-8Ni	18Cr-8Ni
3	F310	25Cr-20Ni	25Cr-20Ni
4	Hard F6	13Cr	Hard 13Cr
5	Hardfaced	13Cr	Co-Cr A
5A	Hardfaced	13Cr	Ni-Cr
6	F6 and Cu-Ni	13Cr	13Cr and Cu-Ni
7	F6 and Hard F6	13Cr	13Cr and Hard 13Cr
8	F6 and Hardfaced	13Cr	13Cr and Co-Cr A
8A	F6 and Hardfaced	13Cr	13Cr and Ni-Cr
9	Monel	Ni-Cu Alloy	Ni-Cu Alloy
10	316	18Cr-8Ni-Mo	18Cr-8Ni-Mo
11	Monel and Hardfaced	Ni-Cu Alloy	Ni-Cu Alloy and Trim 5 or 5A
12	316 and Hardfaced	18Cr-8Ni-Mo	18Cr-8Ni-Mo and Trim 5 or 5A
13	Alloy 20	19Cr-29Ni	19Cr-29Ni
14	Alloy 20 and Hardfaced	19Cr-29Ni	19Cr-29Ni and Trim 5 or 5A
15	Hardfaced	18Cr-8Ni	Co-Cr A
16	Hardfaced	18Cr-8Ni-Mo	Co-Cr A
17	Hardfaced	18Cr-10Ni-Cb	Co-Cr A
18	Hardfaced	19Cr-29Ni	Co-Cr A

HF: Hard Facing using CoCr welding alloy (Stellite)

### Materials

ACC. / ASME B16.34  
DI, WCB, WCC, WC1, WC6, WC9, C5, C12, LCB, LCC, GF8, GF8C, CF8M, CF3, CF3M,  
DUPLEX, SUPERDUPLEX, EXOTIC MATERIALS.

### General dimensions

DN	A	B	ØC	WEIGHT (App.) <sup>(*)</sup>
50 (2")	279	451	335	75
65 (2½")	330	508	350	95
80 (3")	368	578	390	120
100 (4")	457	673	435	165
125 (5")	533	794	505	245
150 (6")	610	914	570	425
200 (8")	762	1022	855	665
250 (10")	914	1270	945	1190
300 (12")	1041	1422	1015	1555

<sup>(\*)</sup> BW ends, short pattern.  
Dimensions in mm and weight in kg.  
Weights and dimensions can be changed without notice.  
Bigger sizes available under customer request.