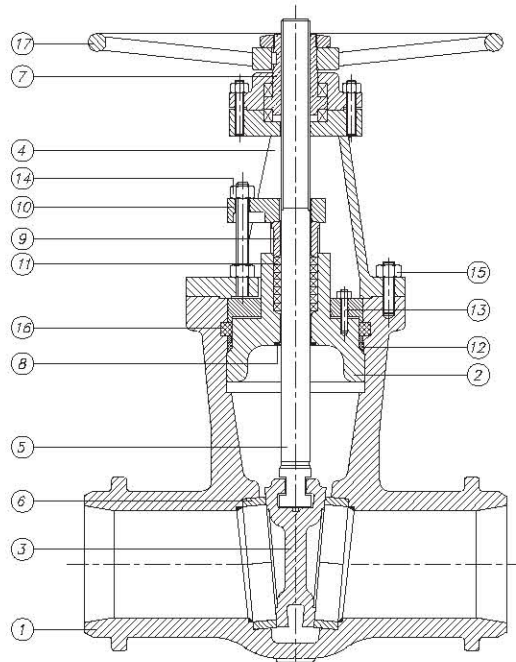




| GATE, GLOBE, CHECK VALVES |

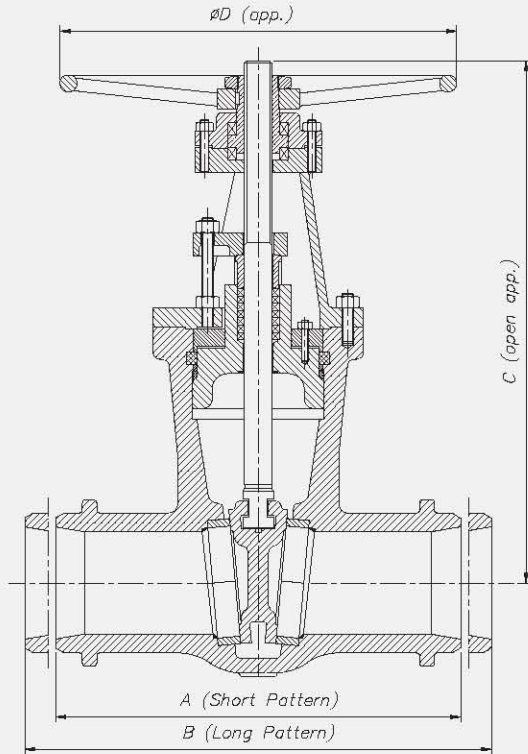
GATE VALVES PRESSURE SEAL

2" - 20" | Class 900 - Class 2500



BILL OF MATERIALS		TRIM 8	TRIM 2	TRIM 8	TRIM 10
Item	Description	Carbon Steel	Carbon Steel (Low Temp.)	Alloy Steel	Stainless Steel
1	Body	A 216 Gr. WCB	A 352 Gr. LCB	A 217 Gr. C5	A 351 Gr. CF8M
2	Bonnet	A 216 Gr. WCB	A 352 Gr. LCB	A 217 Gr. C5	A 351 Gr. CF8M
3	Wedge	A 216 Gr. WCB + Stellite	A 352 Gr. LCB + Stellite	A 217 Gr. C5 + Stellite	A 351 Gr. CF8M + Stellite
4	Yoke	A 216 Gr. WCB	A 352 Gr. LCB	A 217 Gr. C5	A 351 Gr. CF8M
5	Stem	A 182 Gr. F6a	A 182 Gr. F304	A 182 Gr. F6a	A 182 Gr. F316
6	Seat Ring	A 105 + Stellite	A 182 Gr. F304 + Stellite	A 182 Gr. F6a + Stellite	A 182 Gr. F316 + Stellite
7	Stem Nut	B 148 / A 439 Gr. D2	B 148 / A 439 Gr. D2	B 148 / A 439 Gr. D2	B 148 / A 439 Gr. D2
8	Backseat	Stellite	Stellite	Stellite	Stellite
9	Gland	A 105	A 105	A 182 Gr. F6a	A 182 Gr. F316
10	Gland Flange	A 105	A 105	A 105	A 182 Gr. F304
11	Stem Packing	Graphite	Graphite	Graphite	Graphite
12	Gasket (Class 900)	Graphite or SS304L	Graphite or SS304L	Graphite or SS304L	Graphite or SS316L
12	Gasket (Class 1500)	Graphite or SS304L	Graphite or SS304L	Graphite or SS304L	Graphite or SS316L
12	Gasket (Class 2500)	Graphite or SS304L	Graphite or SS304L	Graphite or SS304L	Graphite or SS316L
13	Bonnet Bolt & Nut	A 193 Gr. B7 / A 194 Gr. 2H	A320 Gr. L7 / A194 Gr. 7	A 193 Gr. B7 / A 194 Gr. 2H	A 193 Gr. B7 / A 194 Gr. 2H ⁽¹⁾
14	Bolt & Nut	A 193 Gr. B7 / A 194 Gr. 2H	A 193 Gr. B7 / A 194 Gr. 2H	A 193 Gr. B7 / A 194 Gr. 2H	A 193 Gr. B7 / A 194 Gr. 2H
15	Yoke Bolt & Nut	A 193 Gr. B7 / A 194 Gr. 2H	A 193 Gr. B7 / A 194 Gr. 2H	A 193 Gr. B7 / A 194 Gr. 2H	A 193 Gr. B7 / A 194 Gr. 2H ⁽¹⁾
16	Segmental Ring	A 515 Gr. 70	A 182 Gr. F304	A 182 Gr. F304	A 182 Gr. F316
17	Handwheel	Carbon Steel	Carbon Steel	Carbon Steel	Carbon Steel

Sizes 2" to 20"



* Long pattern available with flanges.

TRIM

API 600 TRIM N°	Nominal TRIM	Stem / Backseat	Seating Surface Body / Wedge
1	F6	13Cr	13Cr
2	304	18Cr-8Ni	18Cr-8Ni
3	F310	25Cr-20Ni	25Cr-20Ni
4	Hard F6	13Cr	Hard 13Cr
5	Hardfaced	13Cr	Co-Cr A
5A	Hardfaced	13Cr	Ni-Cr
6	F6 and Cu-Ni	13Cr	13Cr and Cu-Ni
7	F6 and Hard F6	13Cr	13Cr and Hard 13Cr
8	F6 and Hardfaced	13Cr	13Cr and Co-Cr A
8A	F6 and Hardfaced	13Cr	13Cr and Ni-Cr
9	Monel	Ni-Cu Alloy	Ni-Cu Alloy
10	316	18Cr-8Ni-Mo	18Cr-8Ni-Mo
11	Monel and Hardfaced	Ni-Cu Alloy	Ni-Cu Alloy and Trim 5 or 5A
12	316 and Hardfaced	18Cr-8Ni-Mo	18Cr-8Ni-Mo and Trim 5 or 5A
13	Alloy 20	19Cr-29Ni	19Cr-29Ni
14	Alloy 20 and Hardfaced	19Cr-29Ni	19Cr-29Ni and Trim 5 or 5A
15	Hardfaced	18Cr-8Ni	Co-Cr A
16	Hardfaced	18Cr-8Ni-Mo	Co-Cr A
17	Hardfaced	18Cr-10Ni-Cb	Co-Cr A
18	Hardfaced	19Cr-29Ni	Co-Cr A

HF: Hard Facing using CoCr welding alloy (Stellite)

Materials

ACC. / ASME B16.34
DI, WCB, WCC, WC1, WC6, WC9, C5, C12, LCB, LCC, GF8, GF8C, CF8M, CF3, CF3M,
DUPLEX, SUPERDUPLEX, EXOTIC MATERIALS.

General dimensions

DN	A	B	C	ØD	WEIGHT (App.) ^(*)
50 (2")	216	368	570	250	55
65 (2½")	254	419	680	250	65
80 (3")	305	381	795	350	80
100 (4")	356	457	870	350	215
125 (5")	432	559	975	400	275
150 (6")	508	610	1070	460	320
200 (8")	660	737	1360	400 ^(*)	580 ^(*)
250 (10")	787	838	1505	400 ^(*)	890 ^(*)
300 (12")	914	965	1630	460 ^(*)	1105 ^(*)
350 (14")	991	1029	1795	500 ^(*)	1370 ^(*)
400 (16")	1092	1130	1945	610 ^(*)	2050 ^(*)
450 (18")	-	1219	2155	610 ^(*)	2780 ^(*)
500 (20")	-	1321	2305	710 ^(*)	3420 ^(*)

^(*) With Gear Operator

^(**) BW ends, short pattern.

Dimensions in mm and weight in kg.

Weights and dimensions can be changed without notice.

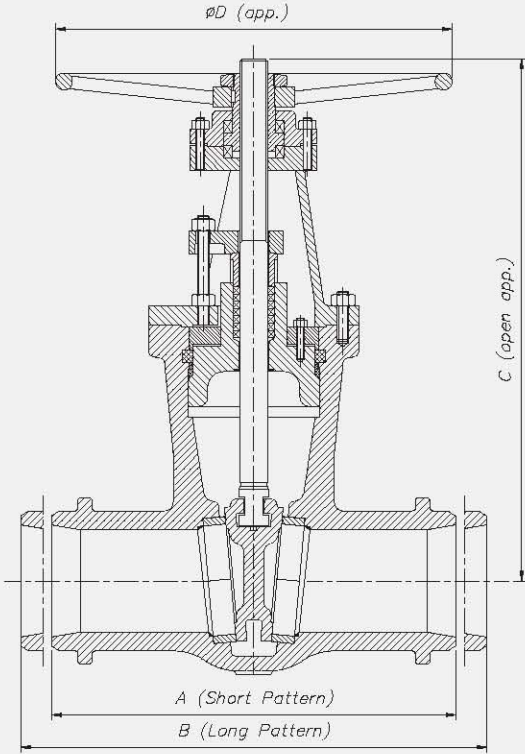
Bigger sizes available under customer request.

ASME B16.34 PRESSURE SEAL

Class 1500

VC1500PS

Sizes 2" to 18"



* Long pattern available with flanges.

TRIM

API 600 TRIM N°	Nominal TRIM	Stem / Backseat	Seating Surface Body / Wedge
1	F6	13Cr	13Cr
2	304	18Cr-8Ni	18Cr-8Ni
3	F310	25Cr-20Ni	25Cr-20Ni
4	Hard F6	13Cr	Hard 13Cr
5	Hardfaced	13Cr	Co-Cr A
5A	Hardfaced	13Cr	Ni-Cr
6	F6 and Cu-Ni	13Cr	13Cr and Cu-Ni
7	F6 and Hard F6	13Cr	13Cr and Hard 13Cr
8	F6 and Hardfaced	13Cr	13Cr and Co-Cr A
8A	F6 and Hardfaced	13Cr	13Cr and Ni-Cr
9	Monel	Ni-Cu Alloy	Ni-Cu Alloy
10	316	18Cr-8Ni-Mo	18Cr-8Ni-Mo
11	Monel and Hardfaced	Ni-Cu Alloy	Ni-Cu Alloy and Trim 5 or 5A
12	316 and Hardfaced	18Cr-8Ni-Mo	18Cr-8Ni-Mo and Trim 5 or 5A
13	Alloy 20	19Cr-29Ni	19Cr-29Ni
14	Alloy 20 and Hardfaced	19Cr-29Ni	19Cr-29Ni and Trim 5 or 5A
15	Hardfaced	18Cr-8Ni	Co-CrR A
16	Hardfaced	18Cr-8Ni-Mo	Co-CrR A
17	Hardfaced	18Cr-10Ni-Cb	Co-CrR A
18	Hardfaced	19Cr-29Ni	Co-CrR A

HF: Hard Facing using CoCr welding alloy (Stellite)

Materials

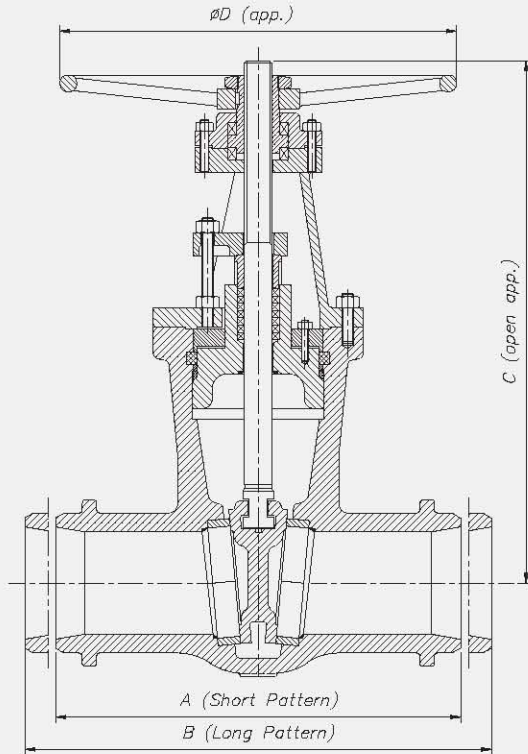
ACC. / ASME B16.34
 DI, WCB, WCC, WC1, WC6, WC9, C5, C12, LCB, LCC, CF8, CF8C, CF8M, CF3, CF3M,
 DUPLEX, SUPERDUPLEX, EXOTIC MATERIALS.

General dimensions

DN	A	B	C	ØD	WEIGHT (App.) (*)
50 (2")	216	368	574	250	67
65 (2½")	254	419	700	350	95
80 (3")	305	470	806	350	119
100 (4")	406	546	887	400	280
125 (5")	483	673	990	460	370
150 (6")	559	705	1079	460 (*)	475 (*)
200 (8")	711	832	1370	710 (*)	855 (*)
250 (10")	863	991	1520	710 (*)	1222 (*)
300 (12")	991	1130	1650	710 (*)	1470 (*)
350 (14")	1067	1257	1820	710 (*)	1990 (*)
400 (16")	1194	1384	1990	760 (*)	2850 (*)
450 (18")	1346	1537	2180	760 (*)	3905 (*)

(*) With Gear Operator.
 (**) BW ends, short pattern.
 Dimensions in mm and weight in kg.
 Weights and dimensions can be changed without notice.
 Bigger sizes available under customer request.

Sizes 2" to 12"



* Long pattern available with flanges.

TRIM

API 600 TRIM N°	Nominal TRIM	Stem / Backseat	Seating Surface Body / Wedge
1	F6	13Cr	13Cr
2	304	18Cr-8Ni	18Cr-8Ni
3	F310	25Cr-20Ni	25Cr-20Ni
4	Hard F6	13Cr	Hard 13Cr
5	Hardfaced	13Cr	Co-Cr A
5A	Hardfaced	13Cr	Ni-Cr
6	F6 and Cu-Ni	13Cr	13Cr and Cu-Ni
7	F6 and Hard F6	13Cr	13Cr and Hard 13Cr
8	F6 and Hardfaced	13Cr	13Cr and Co-Cr A
8A	F6 and Hardfaced	13Cr	13Cr and Ni-Cr
9	Monel	Ni-Cu Alloy	Ni-Cu Alloy
10	316	18Cr-8Ni-Mo	18Cr-8Ni-Mo
11	Monel and Hardfaced	Ni-Cu Alloy	Ni-Cu Alloy and Trim 5 or 5A
12	316 and Hardfaced	18Cr-8Ni-Mo	18Cr-8Ni-Mo and Trim 5 or 5A
13	Alloy 20	19Cr-29Ni	19Cr-29Ni
14	Alloy 20 and Hardfaced	19Cr-29Ni	19Cr-29Ni and Trim 5 or 5A
15	Hardfaced	18Cr-8Ni	Co-CrR A
16	Hardfaced	18Cr-8Ni-Mo	Co-CrR A
17	Hardfaced	18Cr-10Ni-Cb	Co-CrR A
18	Hardfaced	19Cr-29Ni	Co-CrR A

HF: Hard Facing using CoCr welding alloy (Stellite)

Materials

ACC. / ASME B16.34
DI, WCB, WCC, WC1, WC6, WC9, C5, C12, LCB, LCC, GF8, GF8C, CF8M, CF3, CF3M,
DUPLEX, SUPERDUPLEX, EXOTIC MATERIALS.

General dimensions

DN	A	B	C	ØD	WEIGHT (App.) (**)
50 (2")	279	451	585	250	90
65 (2½")	330	508	710	350	120
80 (3")	368	578	820	250	155
100 (4")	457	673	895	400	315
125 (5")	533	794	980	500	395
150 (6")	610	914	1060	500 (*)	525 (*)
200 (8")	762	1022	1310	710 (*)	980 (*)
250 (10")	914	1270	1480	710 (*)	1315 (*)
300 (12")	1041	1422	1520	760 (*)	1850 (*)

(*) With Gear Operator.

(**) BW ends, short pattern.

Dimensions in mm and weight in kg.

Weights and dimensions can be changed without notice.

Bigger sizes available under customer request.