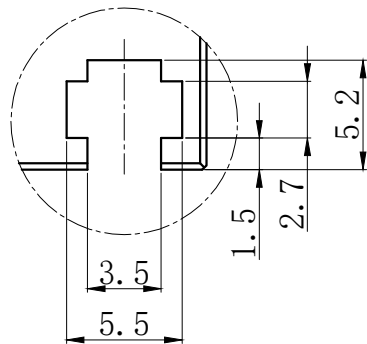


41 (Emitting surface)



Partial view A, Scale
3:1, mounting slot for
M3 nut

Product Installation Dimensions					Design	吴启鸿		2019.04.25		wordop® 沃德普	
Input Voltage	Power				Approve					Name	Bar Lights
	R	W/G/B	IR	UV	Weight	View Direction	Ratio	Unit	Model		
24V	1.3W	1.7W			50g		1:1	mm	Model	HDL3-41X16	