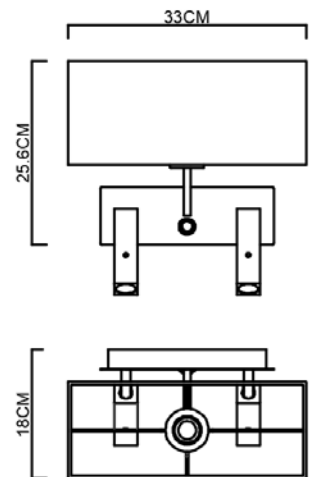


# Specification Sheet

Picture:



Product size:



Name: ----- Flat LED double Wall Lamp  
Code: ----- 1802  
Finish: ----- Polished  
Main Material: ---- Stainless steel  
+ Aluminium  
Shade Material: -- Fabric+PVC

Lamp Source: E27+LED

Wattage: 1x40W / 1x9W + 2x3W LED

Input Voltage: 220~240 V

Lumen: 300 lm

Switch: Micro Switch + Rocker Switch

Energy Efficiency Class:

Plug: Na

Specification:



Inner Box:

425\*170\*395(mm) 1pc

Gross Weight: KGS

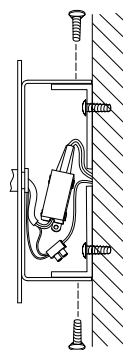
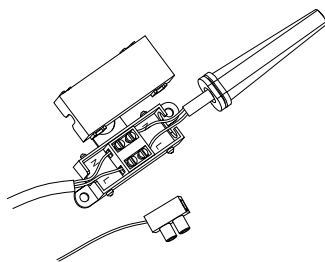
Net Weight: KGS

Outer Carton:

700\*445\*425(mm) 4pcs

Cable Length / Terminal Block:

Installation Instruction:



size:220x60xH:27

