

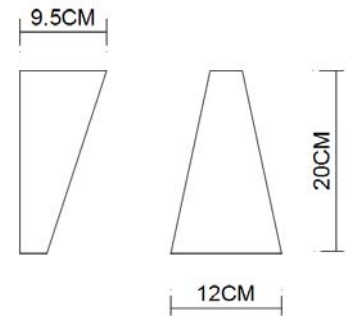
Specification Sheet

Picture:



Product size:

Name: ----- Angle Wall Lamp
Code: ----- 1719
Finish: ----- White/Black
Main Material: --- Iron + Aluminium
Shade Material: -- Iron



Lamp Source: LED

Wattage:  2x3W

Input Voltage: 220~240 V

Lumen: 320 lm

Switch: Na

Energy Efficiency Class: A

Plug: Na

Specification:



IP20

Inner Box:

140*130*245(mm) 1pc

Gross Weight:

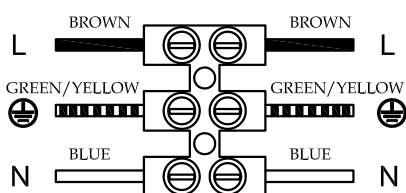
Net Weight:

Outer Carton:

410*300*520(mm) 12pcs

Cable Length / Terminal Block:

Installation Instruction:



size: 99*80*127.4

