

# Specification Sheet

Picture:



Name: ----- Pearl 2 Bar Wall Lamp

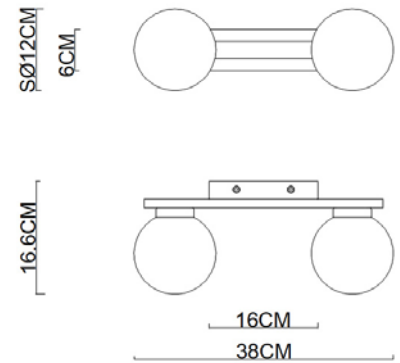
Code: ----- 1811

Finish: ----- Polished/Matte Nicke

Main Material: --- Stainless steel  
+ Opal Glass

Shade Material: -- Opal Glass

Product size:



Lamp Source: LED

Wattage: 2X6W

Input Voltage: 220~240 V

Lumen: 1000 lm

Switch: Na

Energy Efficiency Class: A

Plug: Na

Specification:



IP44

Inner Box:

400\*180\*250(mm) 1pc

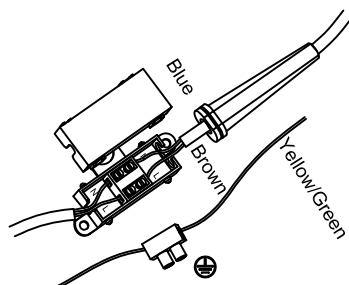
Gross Weight: KGS

Net Weight: KGS

Outer Carton:

820\*380\*525(mm) 8pcs

Cable Length / Terminal Block:



Installation Instruction:

