

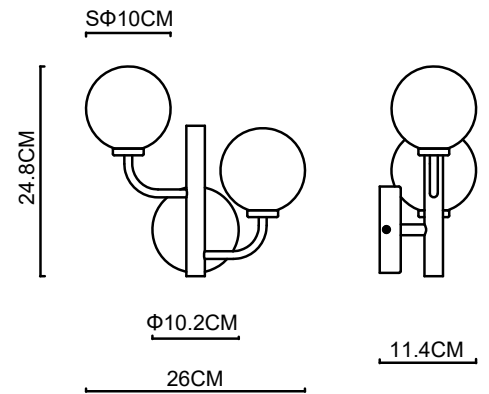
Specification Sheet

Picture:



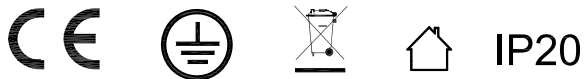
Name: ----- Ball 2 Wall Lamp
Code: ----- 1894
Finish: ----- Polished
+Texture Opal Glass
Main Material: ----Stainless steel
Shade Material:----Blown Glass

Product size:



Lamp Source: G9
Wattage: 2x20W Max
Input Voltage: 220~240 V
Lumen:
Switch: na
Plug: na

Specification:



Inner Box: Gross Weight: KGS
250x230x250(mm) 1pc
Net Weight: KGS
Outer Carton:
520x480x530(mm) 8pcs

Cable Length / Terminal Block:

Installation Instruction:

