



GUANGDONG ARCHIE HARDWARE CO.,LTD

Add: Changhong Ridge Industrial Park, Shishan, Nanhai, Foshan,
Guangdong, China P.O. 528225
T: 86-757-85502663

www.archiehardware.com
info@archiehardware.com

SMART LOCK SERIES

2021/03



WHO WE ARE

ARCHIE, Connecting People and Spaces.

We creating high quality hardware accessories for developers, hotels, designers and homeowners around the world.

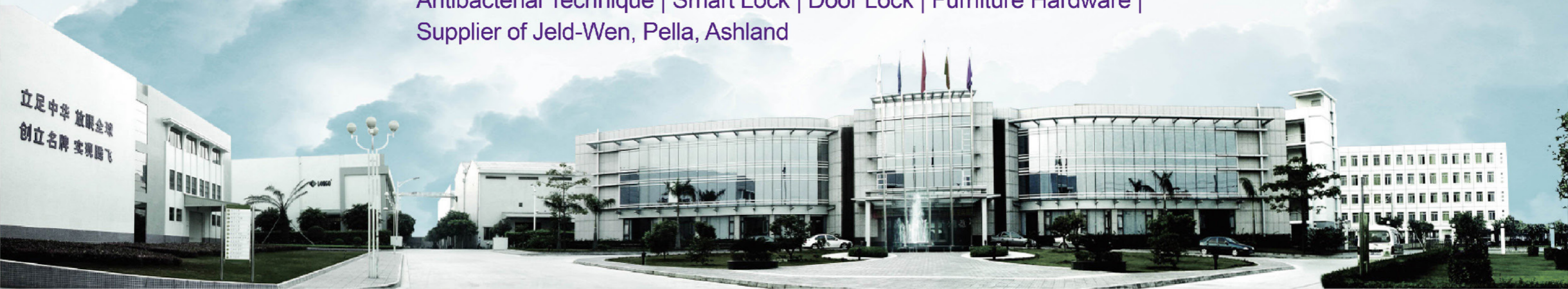


+ YEARS

EXPERIENCE OF HARDWARE

ISO9001 | ISO14001 | OHSAS18001

Antibacterial Technique | Smart Lock | Door Lock | Furniture Hardware |
Supplier of Jeld-Wen, Pella, Ashland





Global Sales Network

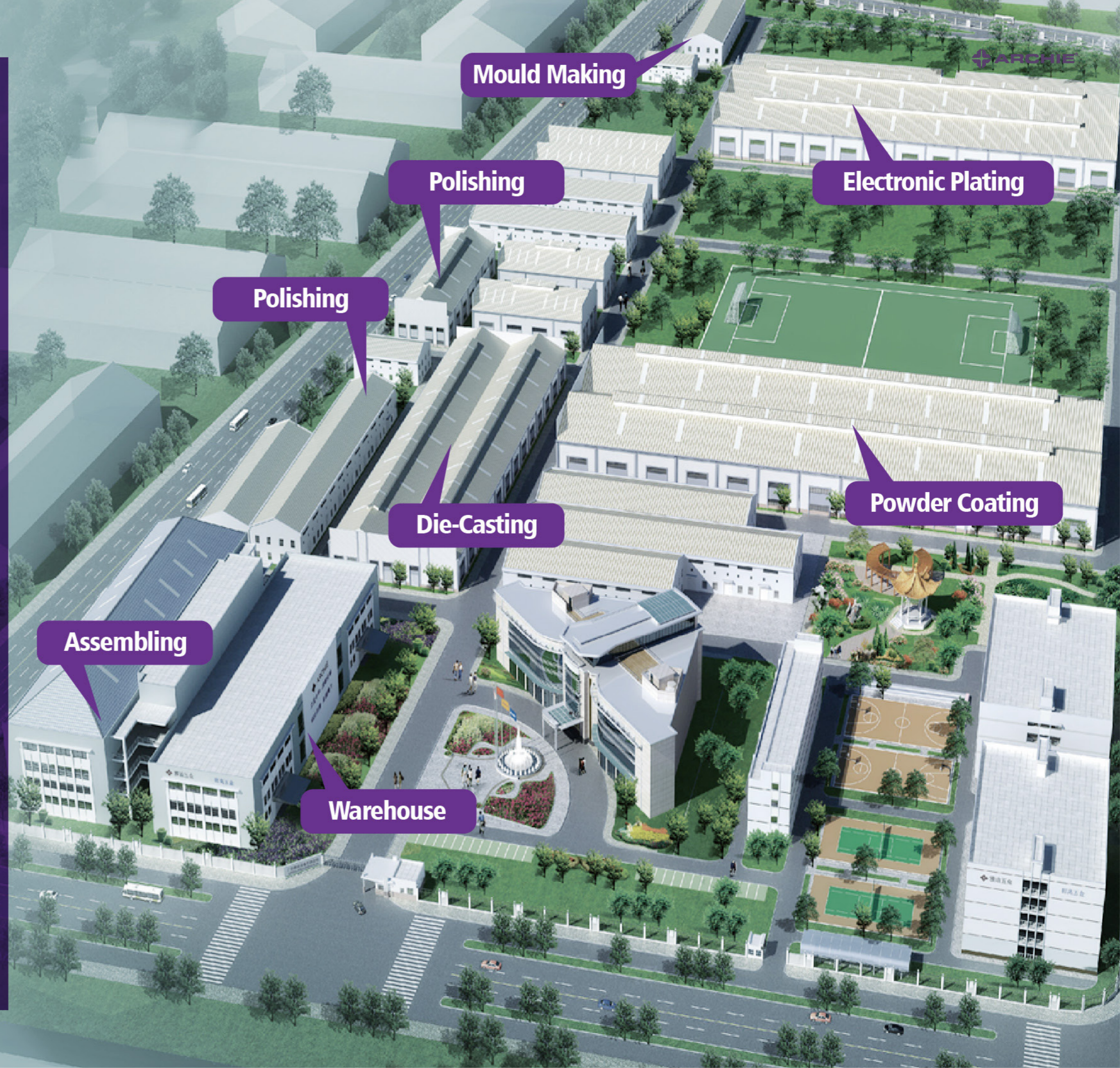
With a rapidly growing list of accreditations and industry honors, Archie began attracting a wider global audience for its products. The company opened its first international showroom in Cologne, Germany in 2002 –and made inroads to Japan and the US in 2004.

Today, Archie's sales network spans the globe –with more than 1700 agents and distributors in 59 countries around the world.

World-class manufacturer

We've built our reputation on world-class consultation and installation services, and comprehensive after-sales support. Growing together with our clients over the past 30 years, we've developed a vertically integrated manufacturing process that allows us to control every stage of production.

Archie's unique, vertically integrated, end-to-end manufacturing process covers die-casting, machining, polishing, finishing and assembly. Everything is handled completely in-house for consistently superior quality... from start to finish.



Mould Making

Polishing

Electronic Plating

Polishing

Die-Casting

Powder Coating

Assembling

Warehouse

World-class manufacturer



SUPERIOR QUALITY

Maintaining Archie's reputation as an industry leader, QC technicians select components from the production line for assessment by an in-house testing lab. Finished products are randomly inspected to ensure consistently high quality.



With ISO 9000, 9001 and OHSAS 14001 accreditations, the company meets the strictest international standards in manufacturing and environmental management. Archie's facilities include a self-sustaining eco-management system, which purifies contaminated water before it leaves the factory – protecting the environment and upholding Archie's commitment to corporate social responsibility.

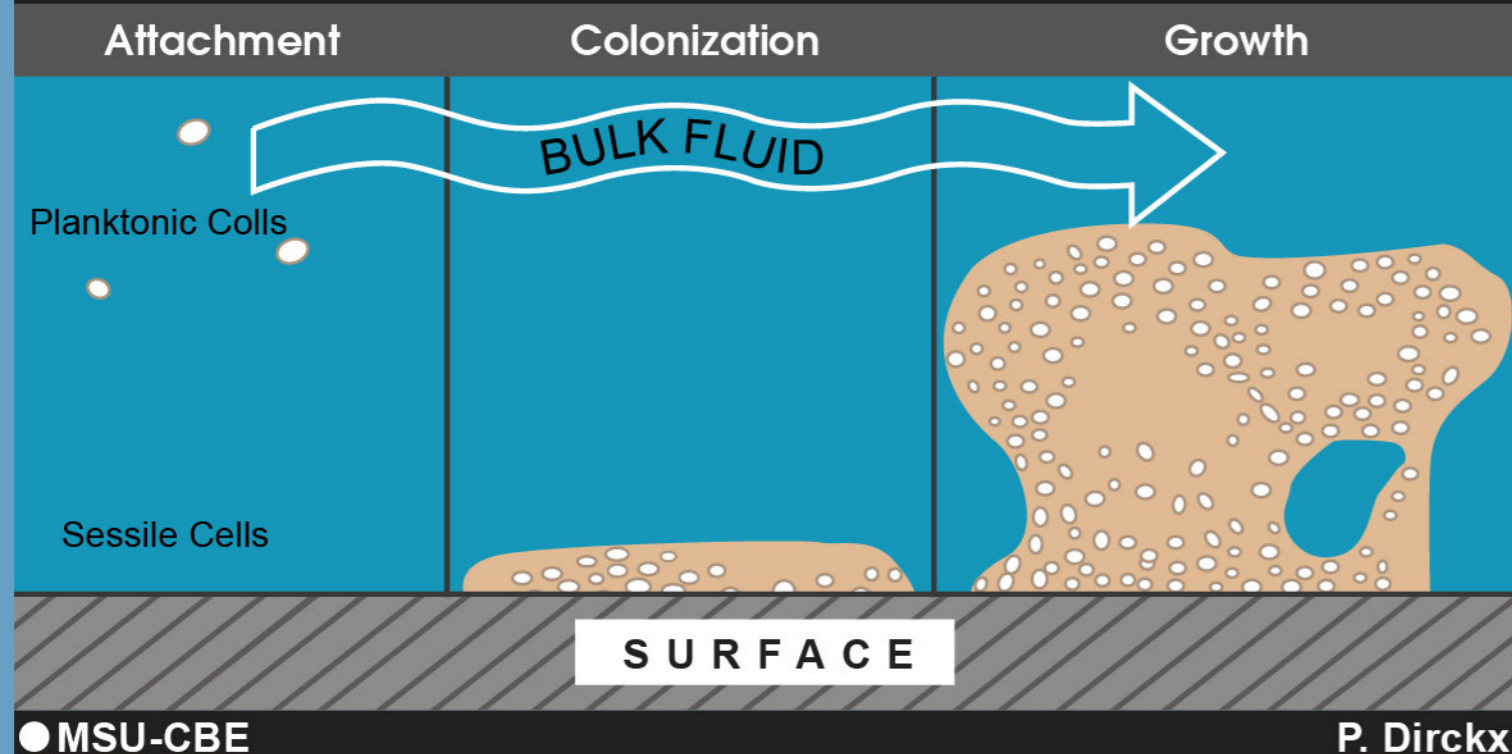


Building on professional service, superior quality and advanced testing facilities, Archie is growing beyond the domestic market and building a global reputation as a world-class manufacturer.

Safeguard Health Up to 99%

ARCHIE Antibacterial Technique

Biofilm Formation:



ARCHIE R&D department has successfully overcome the antibacterial technology of zinc products and copper products. The performance of zinc-based antibacterial agents is less than one-thousandth of that of silver-based antibacterial agents, and it is difficult to achieve antibacterial effects. While copper-based antibacterial agents are easily oxidized and discolored in the air, causing problems such as damage to the appearance of locks. In this case, a water-soluble antibacterial agent containing a free silver ionophore is added to a high-grade coating, and the silver ions are reduced to silver in a special way, and the high-grade coating is co-precipitated on the surface of the product to form a layer of antibacterial silver-containing silver Coating, so that the product achieves an antibacterial rate of 99%, and guarantees product performance while achieving safety without irritation.





PVD Nickel (C5)

White (KW)

Coffee Gold (KF)

ITEM NO.
AJ2021A-01

FINISHING

White(KW), PVD Nickel(C5)
Coffee Gold(KF)

UNLOCK OPTIONS

FINGERPRINT
PASSWORD
IC CARD (OPTION)
KEY

AVAILABLE

APARTMENT, VILLA, RESIDENCE, etc

DOOR THICKNESS

≥ 38mm

LOCK BODY SPEC

CENTER DISTANCE:60mm

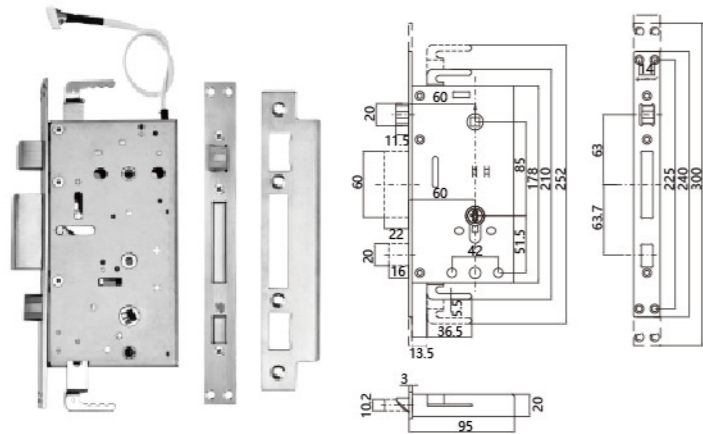
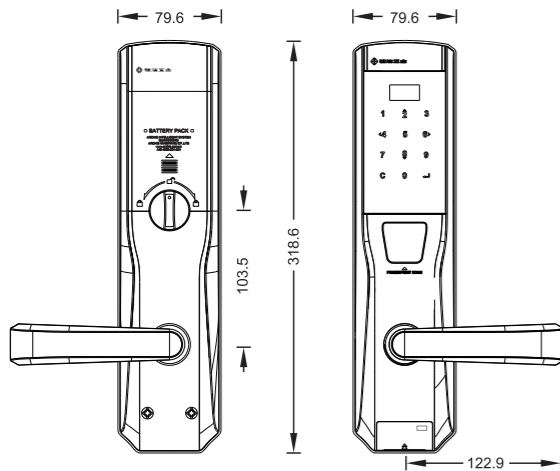
BATTERY

8PCS AA BATTERIES

FEATURES

- Streamlined design like a sports car, a combination of multiple manufacturing processes
- Anti-peeping floating password input technology
- Double lock from indoor to provide better protection
- Finger-free electric damping finger-print protection cover
- Anti-bacteria finishing (option)
- High security lock body
- X-cylinder, high security
- Emergency power by 9V Battery or power bank

PRODUCT SIZE



SATIN COFFEE GOLD (K9)

ITEM NO.
AJ2021A-02

FINISHING

SATIN COFFEE GOLD(K9)

UNLOCK OPTIONS

FINGERPRINT
PASSWORD
IC CARD (OPTION)
KEY

AVAILABLE

APARTMENT, VILLA, RESIDENCE, etc

DOOR THICKNESS

≥ 38mm

LOCK BODY SPEC

CENTER DISTANT:60mm

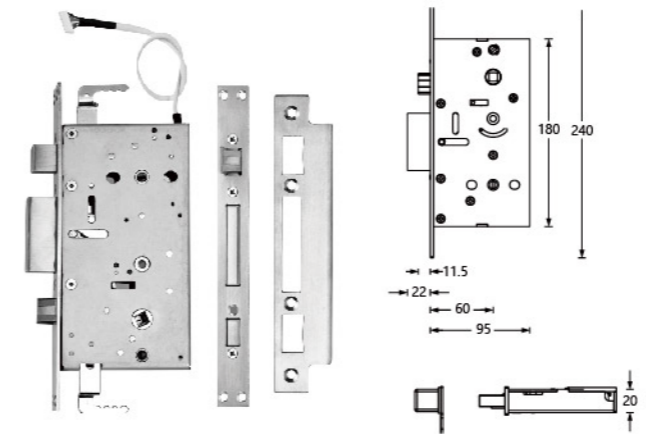
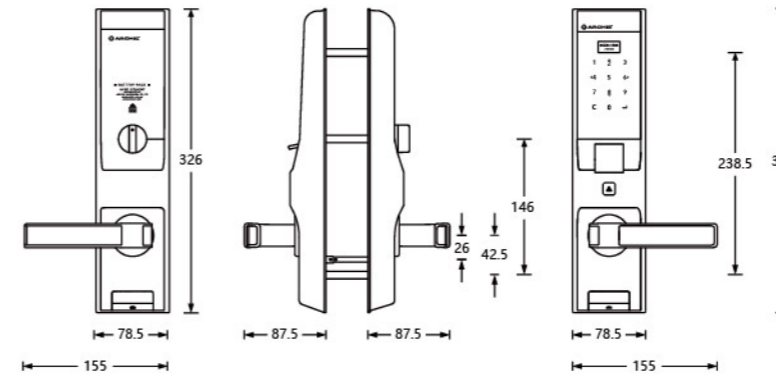
BATTERY

8PCS AA BATTERIES

FEATURES

- Smart Password(hide password by entering a random number before & after it)
- Double lock from indoor to provide better protection
- Anti-bacteria finishing (option)
- High security lock body
- Archie special design high security cylinder
- Emergency power by 9V battery or power bank

PRODUCT SIZE

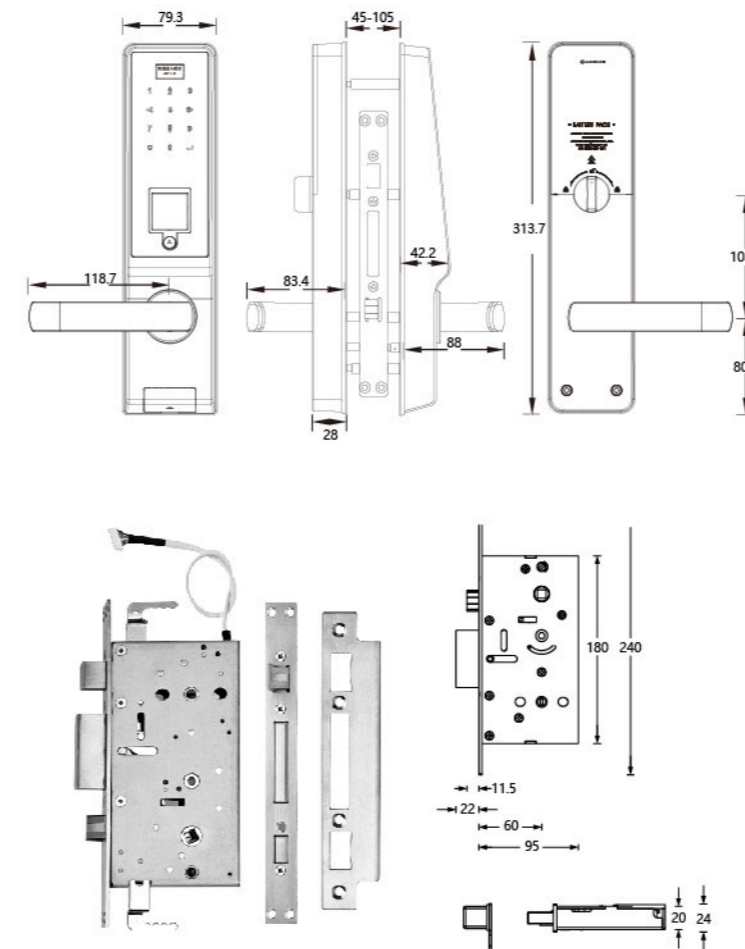


SMART LOCK



COFFEE GOLD
(KF)

PRODUCT SIZE



ITEM NO.

AJ2021A-03

FINISHING

COFFEE GOLD(KF)

UNLOCK OPTIONS

FINGERPRINT
PASSWORD
IC CARD (OPTION)
KEY

AVAILABLE

APARTMENT, VILLA, RESIDENCE, etc

DOOR THICKNESS

≥38mm

LOCK BODY SPEC

CENTER DISTANCE:60mm

BATTERY

8PCS AA BATTERIES

FEATURES

- Smart Password(hide password by entering a random number before & after it)
- Double lock from indoor to provide better protection
- Anti-bacteria finishing
- High security lock body
- Archie special design high security cylinder
- Emergency power by 9V battery or power bank

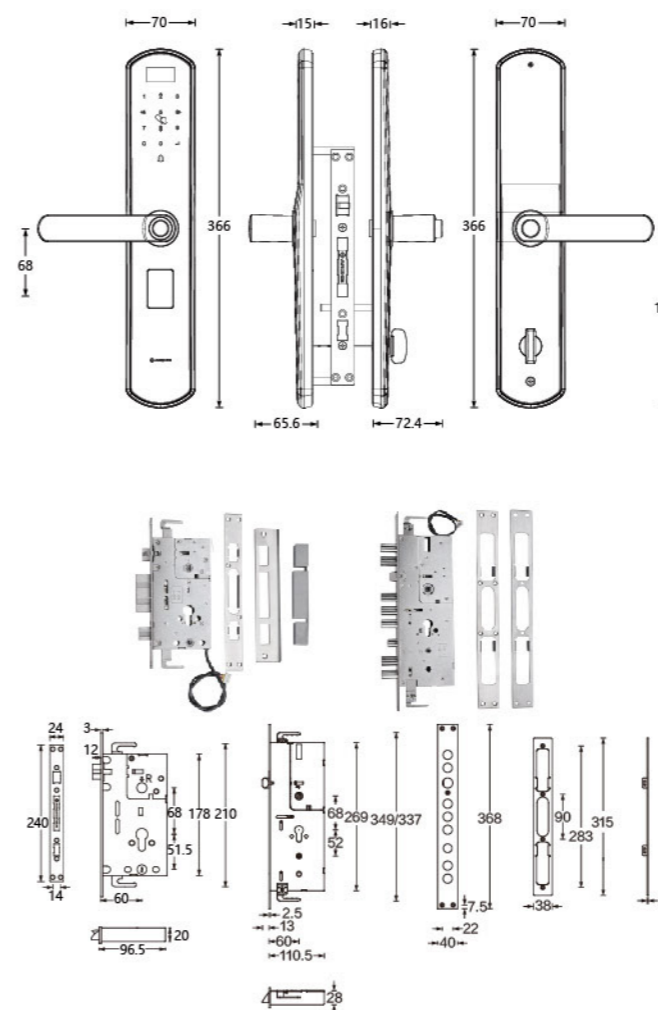


SMART LOCK



SATIN PLATINUM GREY
(G3)

PRODUCT SIZE



ITEM NO.

AJ2031-04

FINISHING

SATIN PLATINUM GREY(G3)

UNLOCK OPTIONS

FINGERPRINT
PASSWORD
IC CARD
KEY

AVAILABLE

APARTMENT, VILLA, RESIDENCE, etc

DOOR THICKNESS

≥ 45mm

LOCK BODY SPEC

CENTER DISTANCE:60mm
BACKSET:68mm

BATTERY

8PCS AAA BATTERIES

FEATURES

- Smart Password(hide password by entering a random number before & after it)
- Anti-bacteria finishing
- Slim Design
- One-step open
- Vein detection fingerprint sensor
- Door bell
- IML Film Laminating
- Dual CPU Control
- Anti-doorviewer illegal unlocking



ITEM NO.
AJ2041-07

FINISHING
MATT UMBER(KP)

UNLOCK OPTIONS
FINGERPRINT
PASSWORD
IC CARD
KEY

AVAILABLE
APARTMENT, VILLA, RESIDENCE, etc

DOOR THICKNESS
≥45mm

LOCK BODY SPEC
CENTER DISTANCE:60mm
BACKSET:68mm

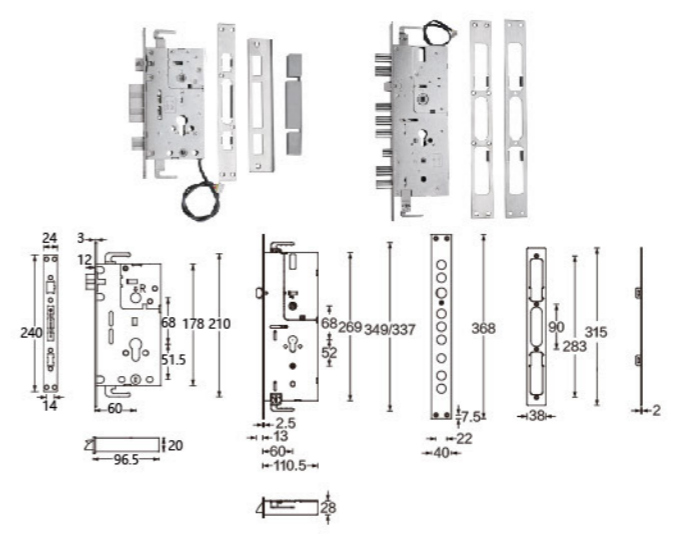
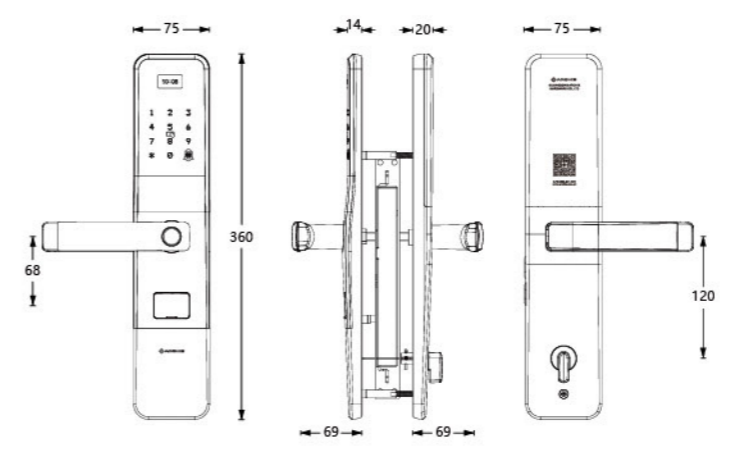
BATTERY
8PCS AAA BATTERIES

- FEATURES**
- Smart Password(hide password by entering a random number before & after it)
 - Anti-bacteria finishing
 - Slim Design
 - One-step open
 - Vein detection fingerprint sensor
 - Door bell
 - IML Film Laminating
 - Dual CPU Control
 - Anti-doorviewer illegal unlocking



MATT UMBER
(KP)

PRODUCT SIZE

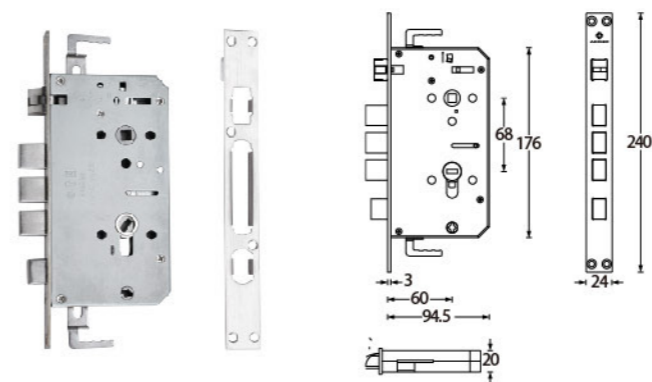
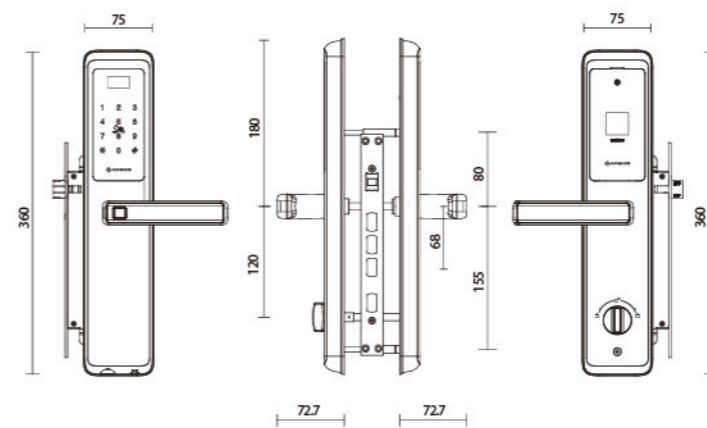


Fingerprint smart lock



CARBON GREY (QZ)

PRODUCT SIZE



ITEM NO.

AJ2041-09

FINISHING

CARBON GREY(QZ)

UNLOCK OPTIONS

FINGERPRINT
PASSWORD
IC CARD
KEY

AVAILABLE

APARTMENT, VILLA, RESIDENCE, etc

DOOR THICKNESS

≥ 40mm

LOCK BODY SPEC

CENTER DISTANCE:60mm
BACKSET:68mm

BATTERY

4PCS AA BATTERIES

FEATURES

- Semi-conductor sensor, more accurate
- Fingerprint sensor combined with handle, one-step open
- Double lock from indoor to provide better security protection
- Voice prompt
- High security lock body
- Archie special design high security cylinder
- Emergency power supply by power bank via USB connector



SMART LOCK

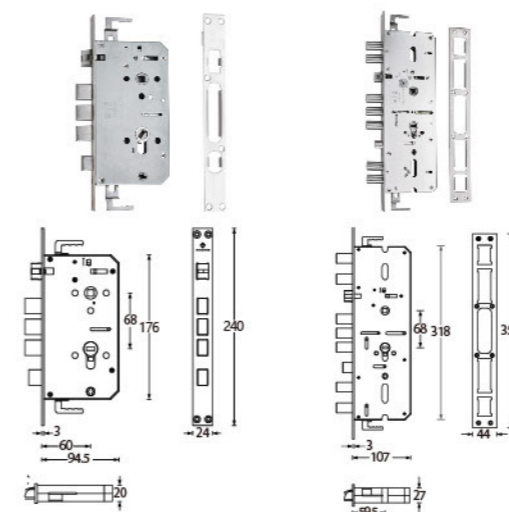
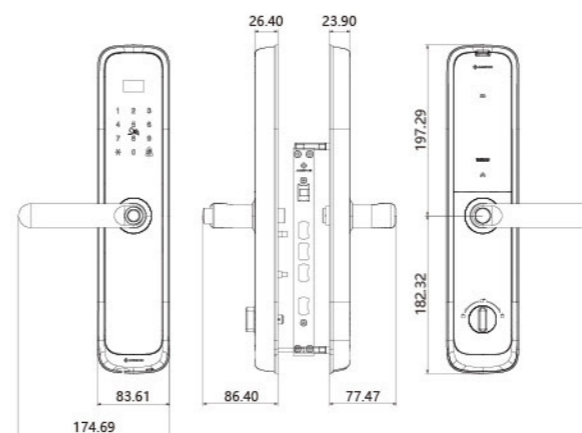


ANTIQUÉ COPPER
(20)

GREY
(BU)

BLACK
(BV)

PRODUCT SIZE



ITEM NO.

GJ2041-11

FINISHING

ANTIQUÉ COPPER(20), GREY(BU)
BLACK(BV)

UNLOCK OPTIONS

FINGERPRINT
PASSWORD
IC CARD
KEY

AVAILABLE

APARTMENT, VILLA, RESIDENCE, etc

DOOR THICKNESS

≥ 40mm

LOCK BODY SPEC

CENTER DISTANCE:60mm
BACKSET:68mm

BATTERY

8PCS AA BATTERIES

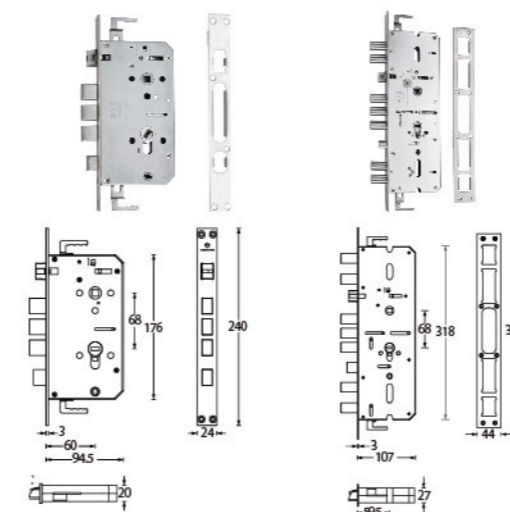
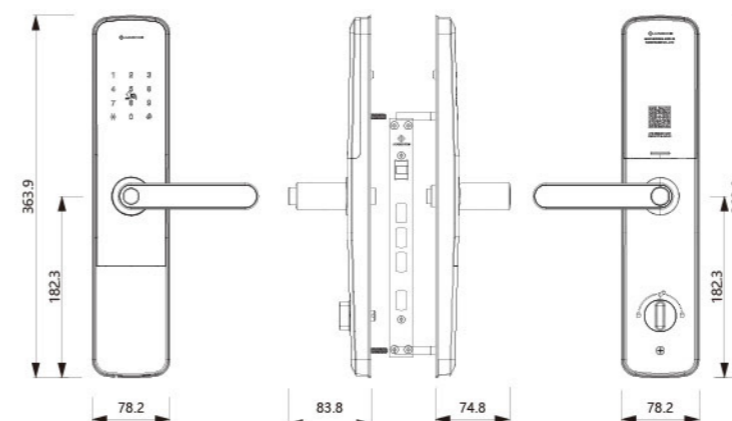
FEATURES

- Semi-conductor sensor, more accurate
- Fingerprint sensor combined with handle, one-step open
- Security design to prevent breaking from door-viewer
- Voice prompt
- Dual power supply design
- Emergency power supply by power bank via USB connector



CARBON GREY (QZ)

PRODUCT SIZE



ITEM NO.
J2041-13

FINISHING
CARBON GREY(QZ)

UNLOCK OPTIONS
FINGERPRINT
PASSWORD
IC CARD (OPTION)
KEY

AVAILABLE
APARTMENT, VILLA, RESIDENCE, etc

DOOR THICKNESS
≥ 40mm

LOCK BODY SPEC
CENTER DISTANCE:60mm
BACKSET:68mm

BATTERY
4PCS AA BATTERIES

FEATURES

- Semi-conductor sensor, more accurate
- Fingerprint sensor combined with handle, one-step open
- Security design to prevent breaking from door-viewer
- Voice prompt
- Dual power supply design
- Emergency power supply by power bank via USB connector



GREY
(R2)

ITEM NO.
AJ2041-12

FINISHING
GREY(R2)

UNLOCK OPTIONS
FINGERPRINT
PASSWORD
IC CARD (OPTION)
KEY

AVAILABLE
APARTMENT, VILLA, RESIDENCE, etc

DOOR THICKNESS
≥ 40mm

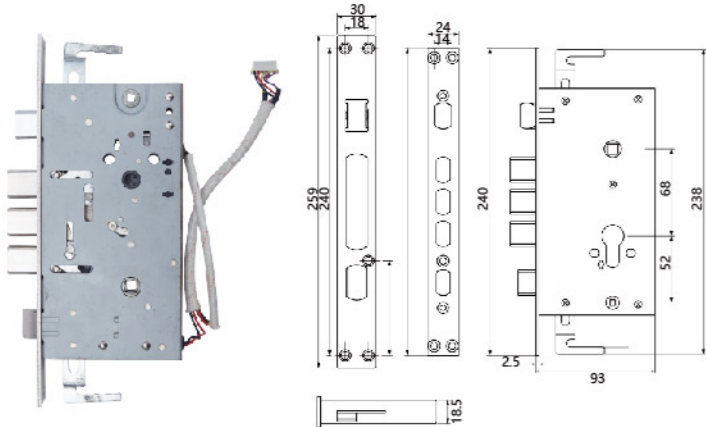
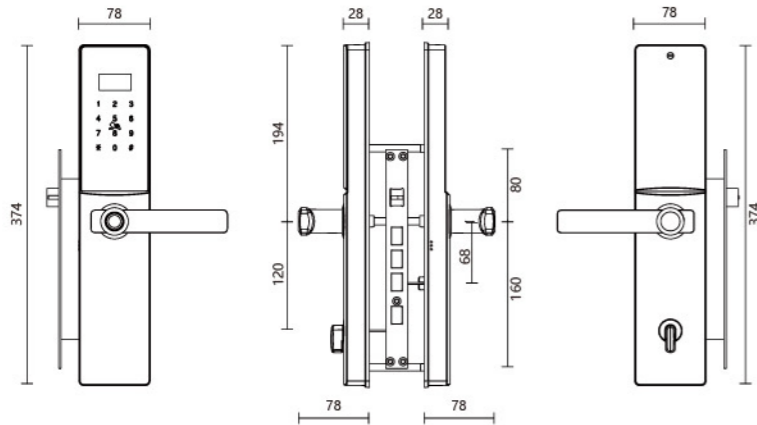
LOCK BODY SPEC
CENTER DISTANCE:60mm

BATTERY
8PCS AA BATTERIES

FEATURES

- Semi-conductor sensor, more accurate
- Fingerprint sensor combined with handle, one-step open
- Security design to prevent breaking from door-viewer
- Voice prompt
- Dual power supply design
- Emergency power supply by power bank via USB connector

PRODUCT SIZE



COFFEE GOLD
(KF)

ITEM NO.
AJ2011A-01

FINISHING
COFFEE GOLD(KF)

UNLOCK OPTIONS
FINGERPRINT
PASSWORD
IC CARD
KEY

AVAILABLE
APARTMENT, VILLA, RESIDENCE, etc

DOOR THICKNESS
45-110mm

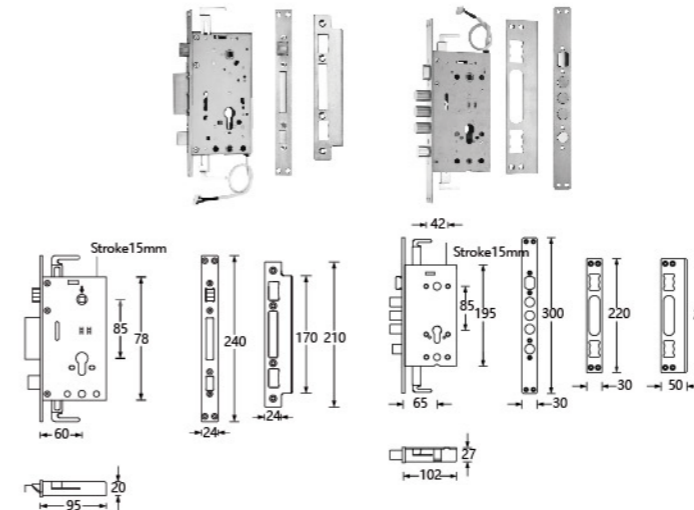
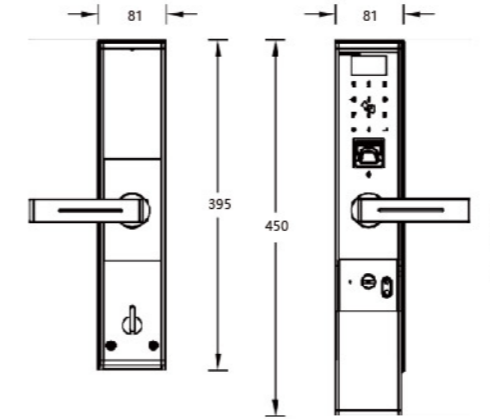
LOCK BODY SPEC
CENTER DISTANCE:60mm

BATTERY
8PCS AA BATTERIES

FEATURES

- Smart Password(hide password by entering a random number before & after it)
- Anti-bacteria finishing
- High security lock body
- Archie special design high security cylinder
- Available for construction mode
- Emergency power by 9V battery

PRODUCT SIZE





ANTI COPPER (20) SATIN ANTI BRASS (36) CYAN RED (KT) LIVID (KS)

ITEM NO.
AJ2011B-04B/04C

FINISHING
ANTI COPPER(20)、SATIN ANTI BRASS(36)
CYAN RED(KT)、LIVID(KS)

UNLOCK OPTIONS
FINGERPRINT
PASSWORD
IC CARD
KEY

AVAILABLE
APARTMENT, VILLA, RESIDENCE, etc

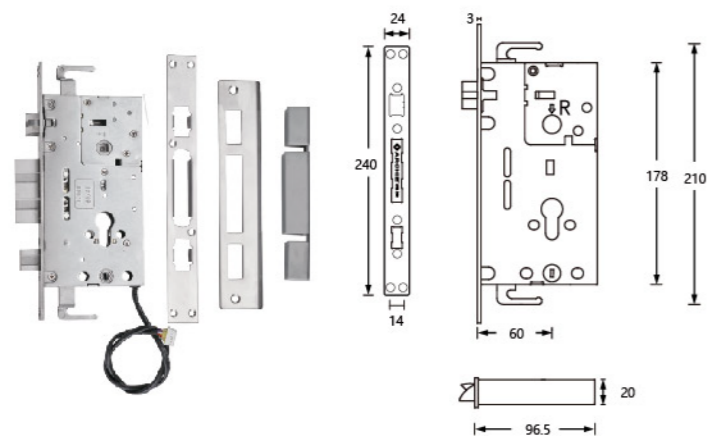
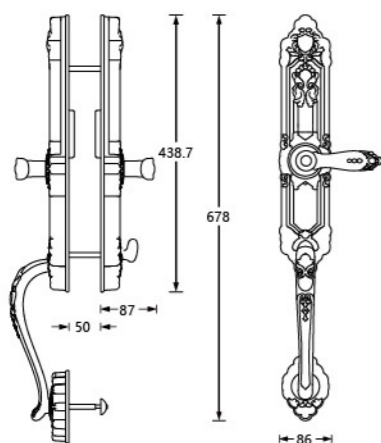
DOOR THICKNESS
≥ 50mm

LOCK BODY SPEC
CENTER DISTANCE:60mm
BACKSET:68mm

BATTERY
8PCS AA BATTERIES

- FEATURES**
- Smart Password(hide password by entering a random number before & after it)
 - European antique design, suitable for luxury villas
 - Anti-bacteria finishing (option)
 - High security lock body
 - Slide cover for better protection
 - Archie special design high security cylinder
 - Emergency power by power bank

PRODUCT SIZE



COFFEE GOLD (KF)

ITEM NO.
AJ4011-01

FINISHING
COFFEE GOLD(KF)

UNLOCK OPTIONS
FINGERPRINT
PASSWORD
KEY

AVAILABLE
APARTMENT, OFFICE, RESIDENCE, etc

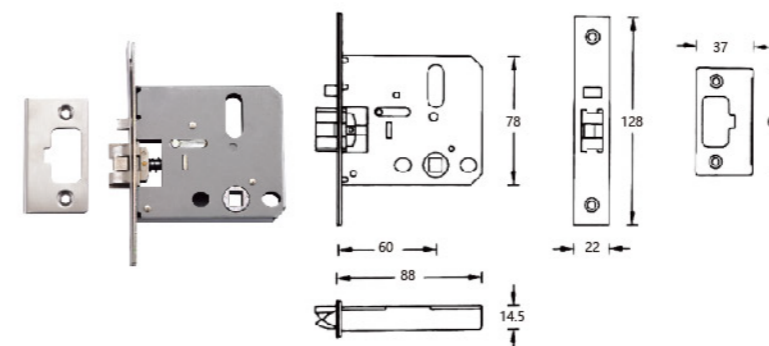
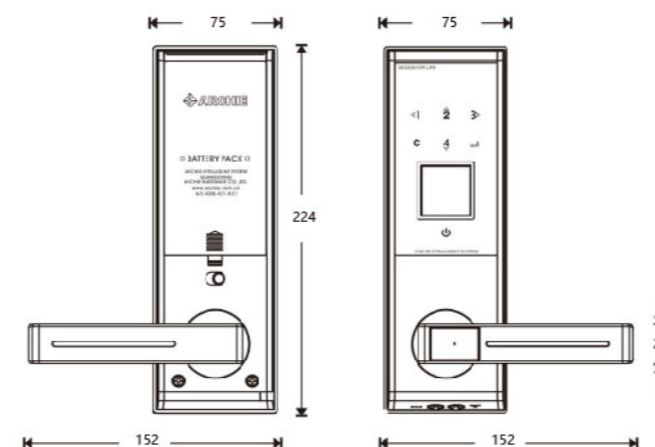
DOOR THICKNESS
CENTER DISTANCE:38-55mm

LOCK BODY SPEC
CENTER DISTANCE:60mm

BATTERY
4PCS AA BATTERIES

- FEATURES**
- Smart Password(hide password by entering a random number before & after it)
 - Glass door available
 - Automatic fingerprint cover
 - Anti-bacteria finishing
 - Available for small lock body, easy replacement for old lock
 - Emergency power by 9V battery

PRODUCT SIZE





GLOSS MOON GOLD (KO)

CARBON BLACK (KQ)

ITEM NO.
AJ4011-02

FINISHING

GLOSS MOON GOLD(KO)
CARBON BLACK(KQ)

UNLOCK OPTIONS

FINGERPRINT
KEY

AVAILABLE

APARTMENT, OFFICE, RESIDENCE, etc

DOOR THICKNESS

38-55mm

LOCK BODY SPEC

CENTER DISTANCE:55mm
BACKSET:72mm

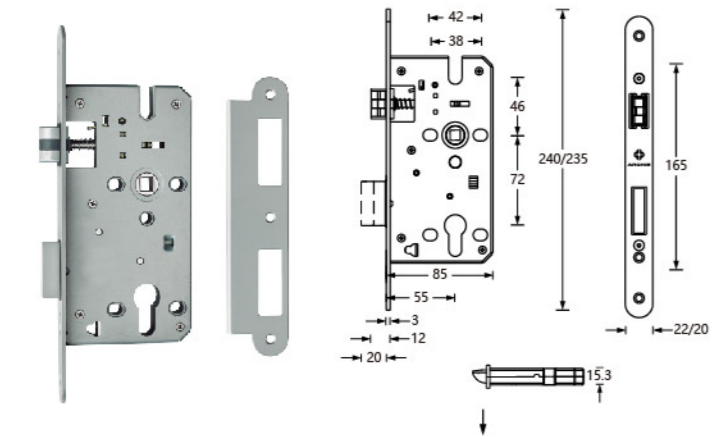
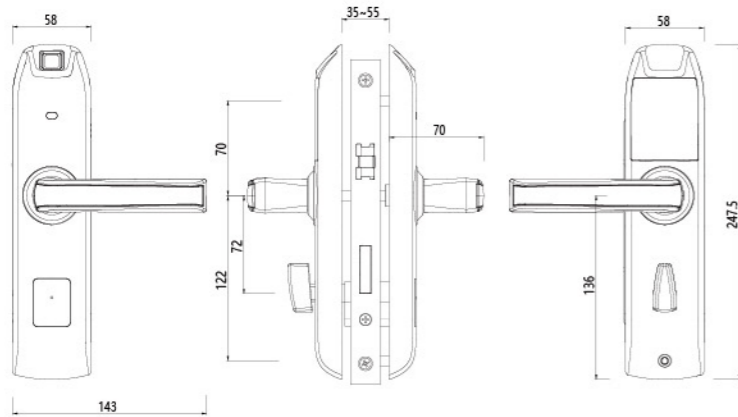
BATTERY

4PCS AAA BATTERIES

FEATURES

- Voice Prompt
- Semi-conductor fingerprint sensor
- Anti-bacteria finishing
- Silent design for lock body
- Emergency power by power bank

PRODUCT SIZE



OLIVE (KV)

CORAL (KW)

ITEM NO.
AJ4011-03

FINISHING

OLIVE(KV)、CORAL(KW)

UNLOCK OPTIONS

FINGERPRINT
KEY

AVAILABLE

APARTMENT, OFFICE, RESIDENCE, etc

DOOR THICKNESS

38-55mm

LOCK BODY SPEC

CENTER DISTANCE:55mm
BACKSET:72mm

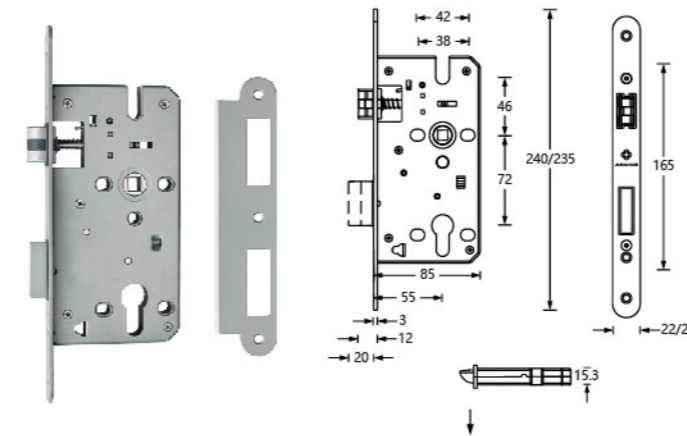
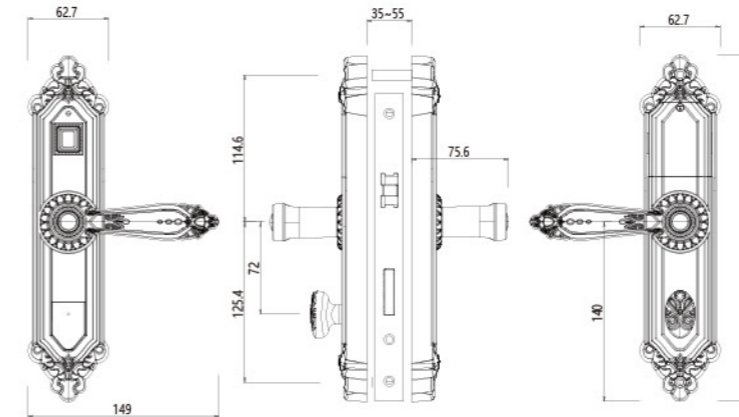
BATTERY

4PCS AAA BATTERIES

FEATURES

- Voice Prompt
- Semi-conductor fingerprint sensor
- Anti-bacteria finishing
- Silent design for lock body
- Emergency power by power bank

PRODUCT SIZE





ITEM NO.
AJ4011-04



GLOSS MOON GOLD (KO)

CARBON BLACK (KQ)

FINISHING

GLOSS MOON GOLD(KO)
CARBON BLACK(KQ)

UNLOCK OPTIONS

FINGERPRINT
PASSWORD
IC CARD
KEY

AVAILABLE

APARTMENT, OFFICE, RESIDENCE, etc

DOOR THICKNESS

38-55mm

LOCK BODY SPEC

CENTER DISTANCE:55mm
BACKSET:72mm

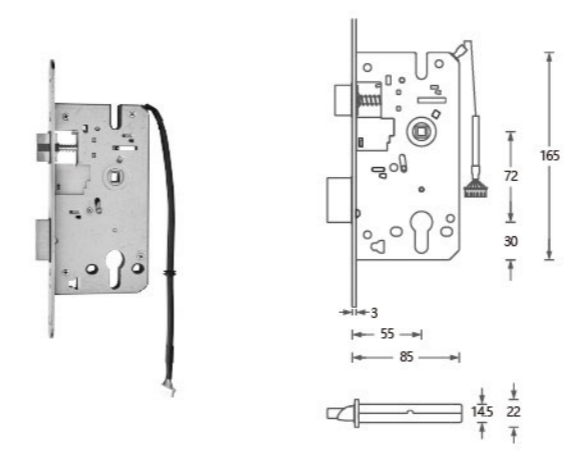
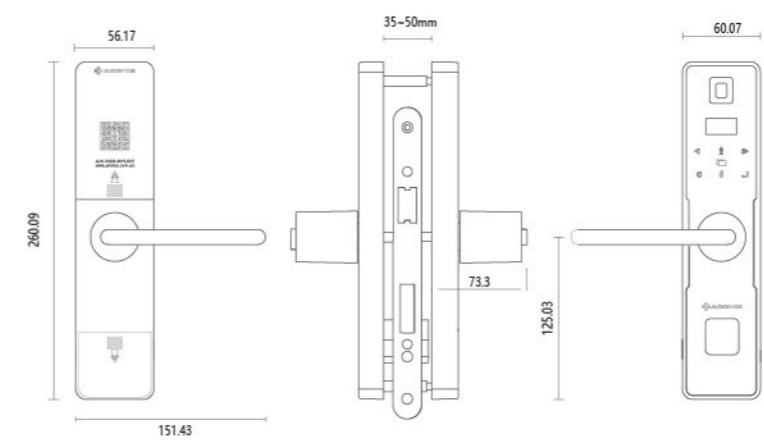
BATTERY

8PCS AAA BATTERIES

FEATURES

- Smart Password(hide password by entering a random number before & after it)
- Semi-conductor sensor, more accurate
- Anti-bacteria finishing
- Silent material for lock body
- Emergency power by power bank

PRODUCT SIZE



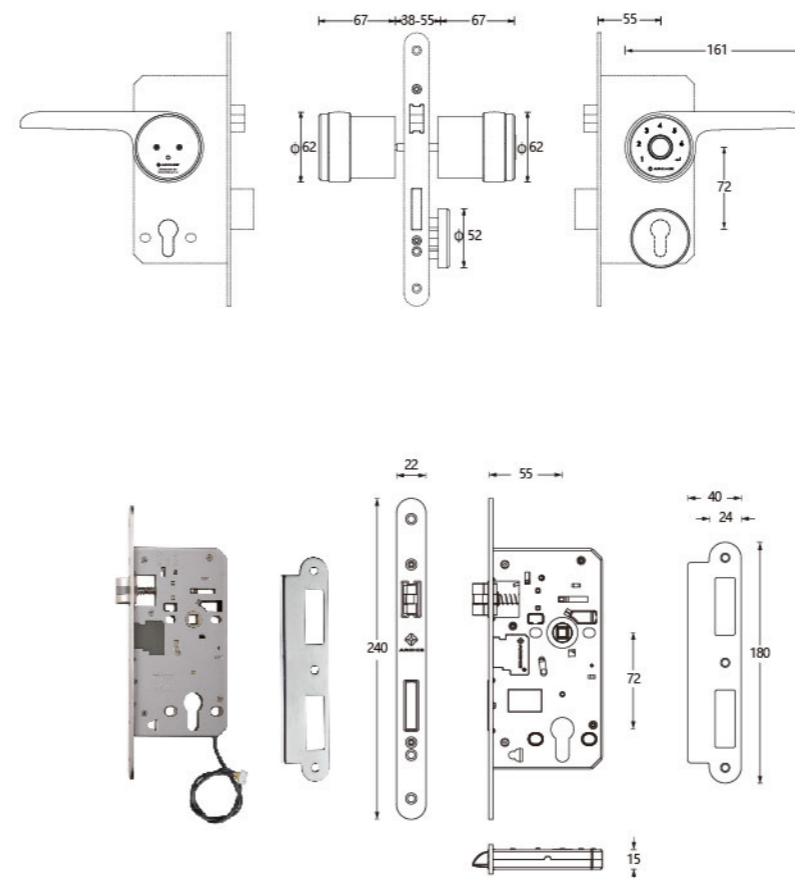


SMART LOCK



SATIN PLATINUM GREY
(G3)

PRODUCT SIZE



ITEM NO.

AJ4011-05

FINISHING

SATIN PLATINUM GREY(G3)

UNLOCK OPTIONS

FINGERPRINT
PASSWORD
KEY

AVAILABLE

APARTMENT, OFFICE, RESIDENCE, etc

DOOR THICKNESS

38-55mm

LOCK BODY SPEC

CENTER DISTANCE:55mm
BACKSET:72mm

BATTERY

4PCS AAA BATTERIES

FEATURES

- Smart Password (hide password by entering a random number before & after it)
- Semi-conductor sensor, more accurate
- Anti-bacteria finishing
- Voice Prompt
- Silent material for lock body
- Emergency power by power bank

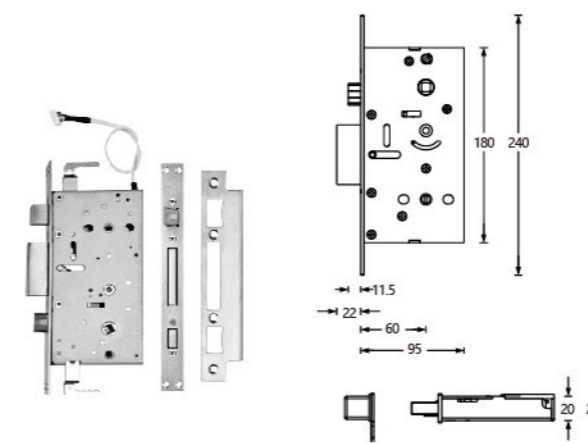
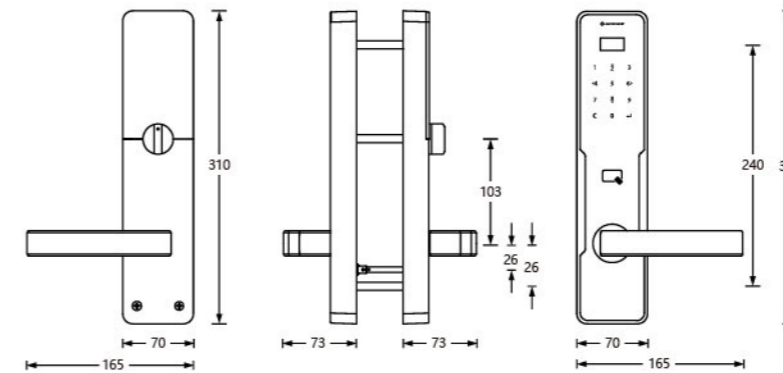


SATIN COFFEE GOLD (K9)



SATIN CHROME (30)

PRODUCT SIZE



ITEM NO.

AJ3051A-01

FINISHING

SATIN COFFEE GOLD(K9)
SATIN CHROME(30)

UNLOCK OPTIONS

FINGERPRINT
IC CARD
KEY

AVAILABLE

APARTMENT, VILLA, RESIDENCE, etc

DOOR THICKNESS

≥45mm

LOCK BODY SPEC

CENTER DISTANCE:60mm

BATTERY

8PCS AA BATTERIES

FEATURES

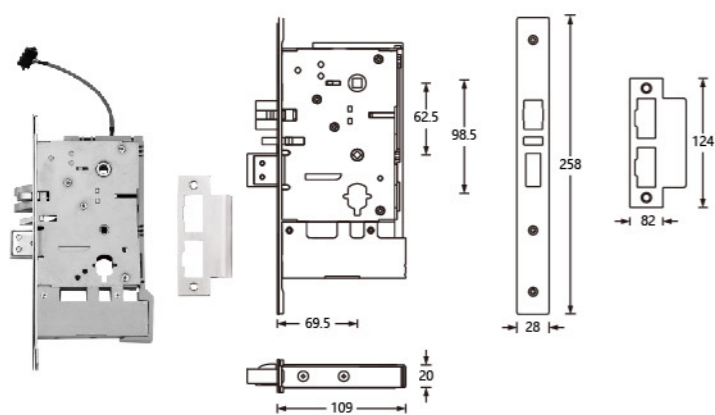
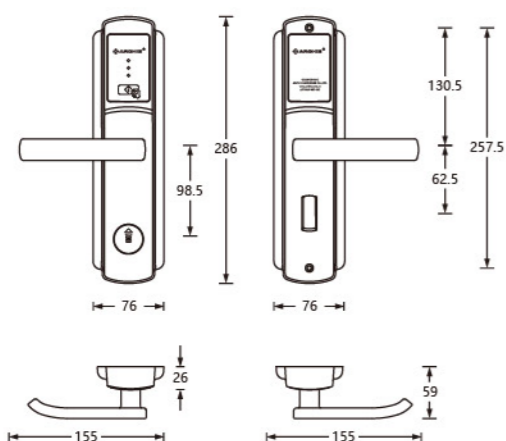
- Smart Password (hide password by entering a random number before & after it)
- Double lock from indoor to provide better protection
- Anti-bacteria finishing (option)
- High security lock body
- Archie special design high security cylinder
- Emergency power by power bank



SATIN COFFEE GOLD
(K9)

SATIN CHROME/CHROME
(79)

PRODUCT SIZE



ITEM NO.
AJ3011-05

FINISHING

SATIN COFFEE GOLD(K9)
SATIN CHROME/CHROME(79)

UNLOCK OPTIONS

IC CARD
KEY

AVAILABLE

HOTEL, APARTMENT

DOOR THICKNESS

38-55mm

LOCK BODY SPEC

CENTER DISTANCE:69.5mm
BACKSET:98.5mm

BATTERY

4PCS AA BATTERIES

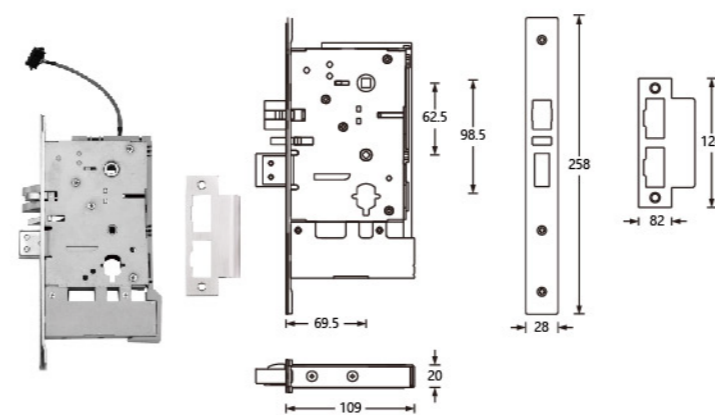
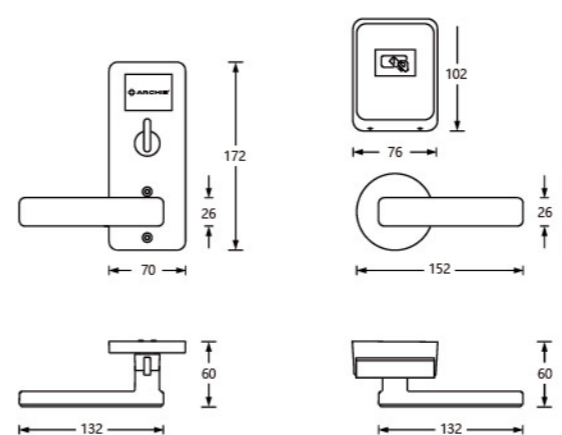
FEATURES

- US standard security lock body
- CE, FCC certificates
- World-class chip
- Anti-bacteria finishing (option)
- Specific Hotel Management Software



CHROME
(31)

PRODUCT SIZE



ITEM NO.
AJ3011-07

FINISHING

CHROME(31)

UNLOCK OPTIONS

IC CARD
KEY

AVAILABLE

HOTEL, APARTMENT

DOOR THICKNESS

38-55mm

LOCK BODY SPEC

CENTER DISTANCE:69.5mm
BACKSET:98.5mm

BATTERY

4PCS AA BATTERIES

FEATURES

- US standard security lock body
- CE, FCC certificates
- World-class chip
- Anti-bacteria finishing (option)
- Specific Hotel Management Software



Smart card hotel lock



CHROME
(31)

ITEM NO.
AJ3011-08

FINISHING
CHROME(31)

UNLOCK OPTIONS
IC CARD
KEY

AVAILABLE
HOTEL, APARTMENT

DOOR THICKNESS
38-55mm

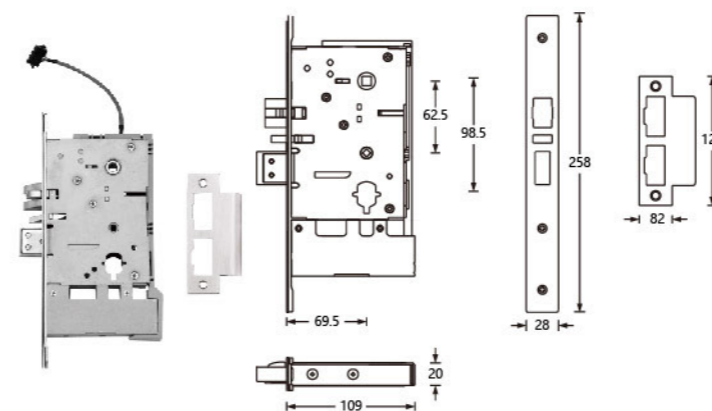
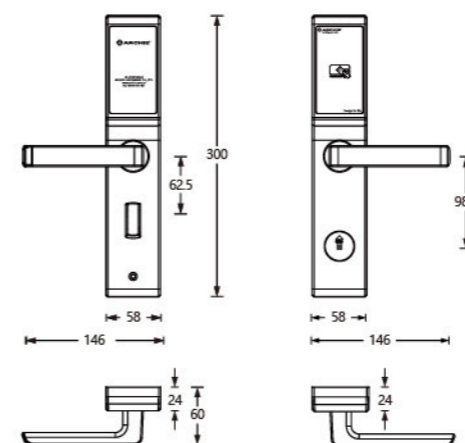
LOCK BODY SPEC
CENTER DISTANCE:69.5mm
BACKSET:98.5mm

BATTERY
4PCS AA BATTERIES

FEATURES

- US standard security lock body
- CE, FCC certificates
- World-class chip
- Anti-bacteria finishing (option)
- Specific Hotel Management Software

PRODUCT SIZE



Smart card hotel lock

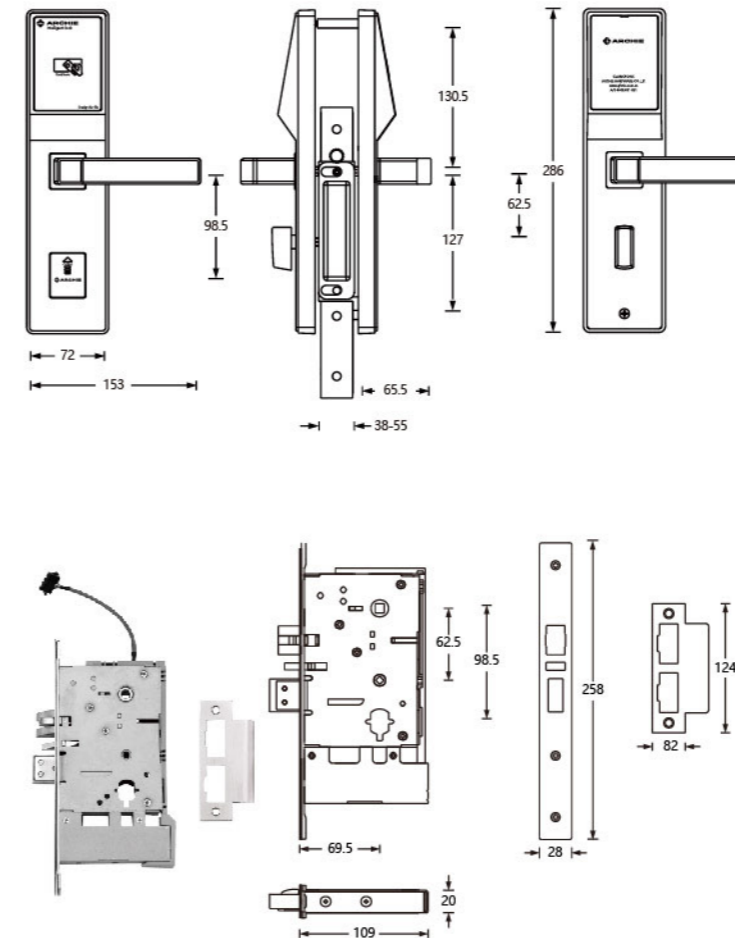


SATIN COFFEE GOLD (K9)



BLACK (ORB)

PRODUCT SIZE



ITEM NO.

AJ3011-09

FINISHING

SATIN COFFEE GOLD(K9)

BLACK(ORB)

UNLOCK OPTIONS

IC CARD

KEY

AVAILABLE

HOTEL, APARTMENT

DOOR THICKNESS

38-55mm

LOCK BODY SPEC

CENTER DISTANCE:69.5mm

BACKSET:98.5mm

BATTERY

4PCS AA BATTERIES

FEATURES

- US standard security lock body
- CE, FCC certificates
- World-class chip
- Anti-bacteria finishing (option)
- Specific Hotel Management Software



SAMRT CARD HOTEL LOCK

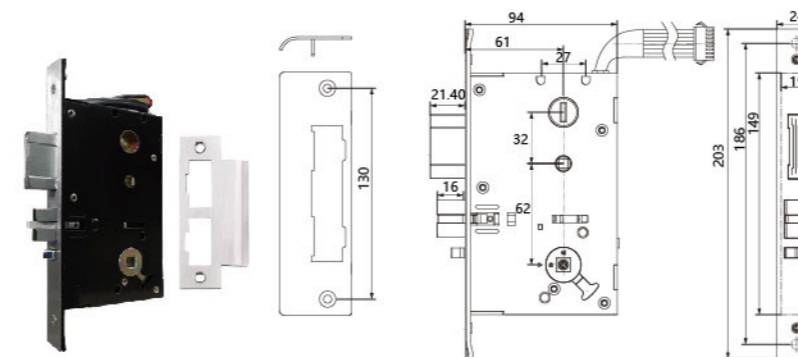
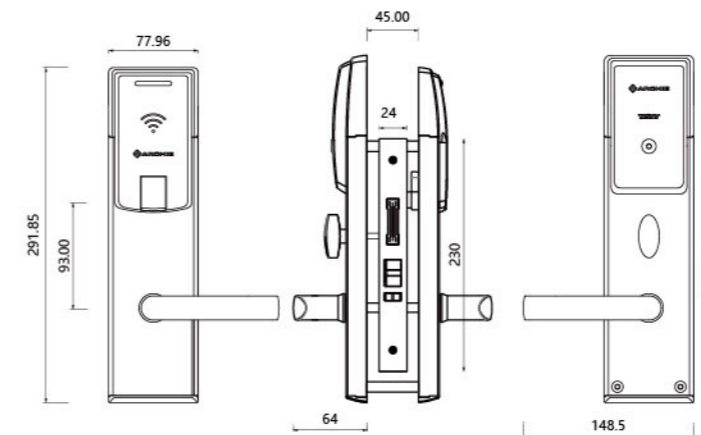


SATIN NICKEL
(P2)



SATIN PVD GOLD
(C4)

PRODUCT SIZE



ITEM NO.

GJ3011-11

FINISHING

SATIN NICKEL(P2)
SATIN PVD GOLD(C4)

UNLOCK OPTIONS

IC CARD
KEY

AVAILABLE

HOTEL

DOOR THICKNESS

38-60mm

LOCK BODY SPEC

CENTER DISTANCE:60mm
BACKSET:94mm

BATTERY

4PCS AA BATTERIES

FEATURES

- Japanese "MABUCHI" motor with a durability of over 500 000 cycles;
- Anti-tamper trim handle with free moving clutch mechanism;
- Low power alarm, door ajar alarm; Anti-tampering alarm;
- 1000 audit trail, convenient for hotel management;
- High-speed proximity reader recognises cards in less than 0.25sec

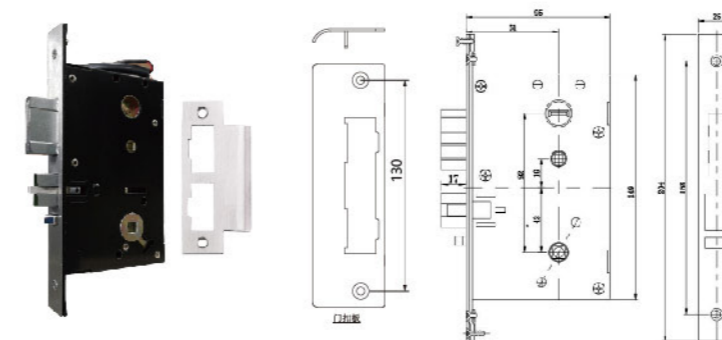
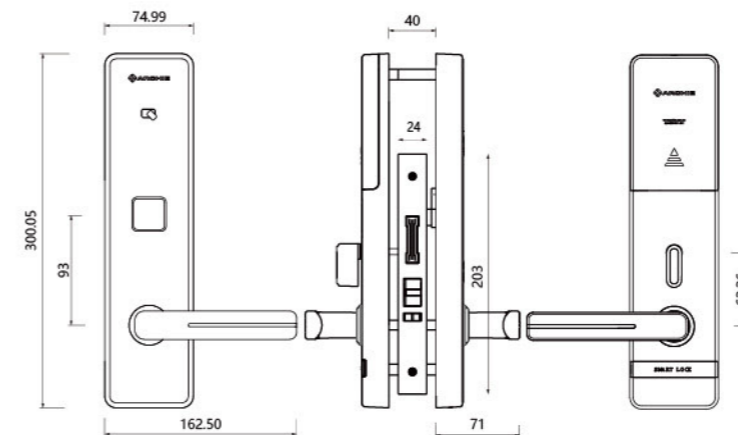


SAMRT CARD HOTEL LOCK



COFFEE
(Q9)

PRODUCT SIZE



ITEM NO.

GJ3011-12

FINISHING

COFFEE(Q9)

UNLOCK OPTIONS

IC CARD
KEY

AVAILABLE

HOTEL

DOOR THICKNESS

38-60mm

LOCK BODY SPEC

CENTER DISTANCE:60mm
BACKSET:94mm

BATTERY

4PCS AA BATTERIES

FEATURES

- Japanese "MABUCHI" motor with a durability of over 500 000 cycles;
- Anti-tamper trim handle with free moving clutch mechanism;
- Low power alarm, door ajar alarm; Anit-tampering alarm;
- 1000 audit trail, convenient for hotel management;
- High-speed proximity reader recognises cards in less than 0.25sec



RED COFFEE
(QU)

ITEM NO.
BGX-D1-20NA1

FINISHING
RED COFFEE(QU)

MATERIAL
Q235

- FEATURES**
- High-security cylinder
 - Password Alarm, Shake Alarm
 - Smart Password (hide password by entering a random number before & after it)
 - Emergency power supply by power bank

UNLOCK OPTIONS
PASSWORD, KEY

DIMENSION(mm)
H200 × W400 × D380



RED COFFEE
(QU)

ITEM NO.
BGX-D1-45NH1-QU

FINISHING
RED COFFEE(QU)

MATERIAL
Q235

- FEATURES**
- High-security cylinder
 - Password Alarm, Shake Alarm
 - Smart Password (hide password by entering a random number before & after it)
 - Emergency power supply by power bank
 - Semi-conductor fingerprint sensor
 - Voice Prompt

UNLOCK OPTIONS
PASSWORD, FINGERPRINT, KEY

DIMENSION(mm)
H450 × W400 × D350



RED COFFEE
(QU)

ITEM NO.
BGX-D1-30NH1-QU

FINISHING
RED COFFEE(QU)

MATERIAL
Q235

- FEATURES**
- High-security cylinder
 - Password Alarm, Shake Alarm
 - Smart Password (hide password by entering a random number before & after it)
 - Emergency power supply by power bank
 - Semi-conductor fingerprint sensor
 - Voice Prompt

UNLOCK OPTIONS
PASSWORD, FINGERPRINT, KEY

DIMENSION(mm)
H300 × W380 × D300



RED COFFEE
(QU)

ITEM NO.
BGX-D1-60NH1-QU

FINISHING
RED COFFEE(QU)

MATERIAL
Q235

- FEATURES**
- High-security cylinder
 - Password Alarm, Shake Alarm
 - Smart Password (hide password by entering a random number before & after it)
 - Emergency power supply by power bank
 - Semi-conductor fingerprint sensor
 - Voice Prompt

UNLOCK OPTIONS
PASSWORD, FINGERPRINT, KEY

DIMENSION(mm)
H600 × W420 × D380