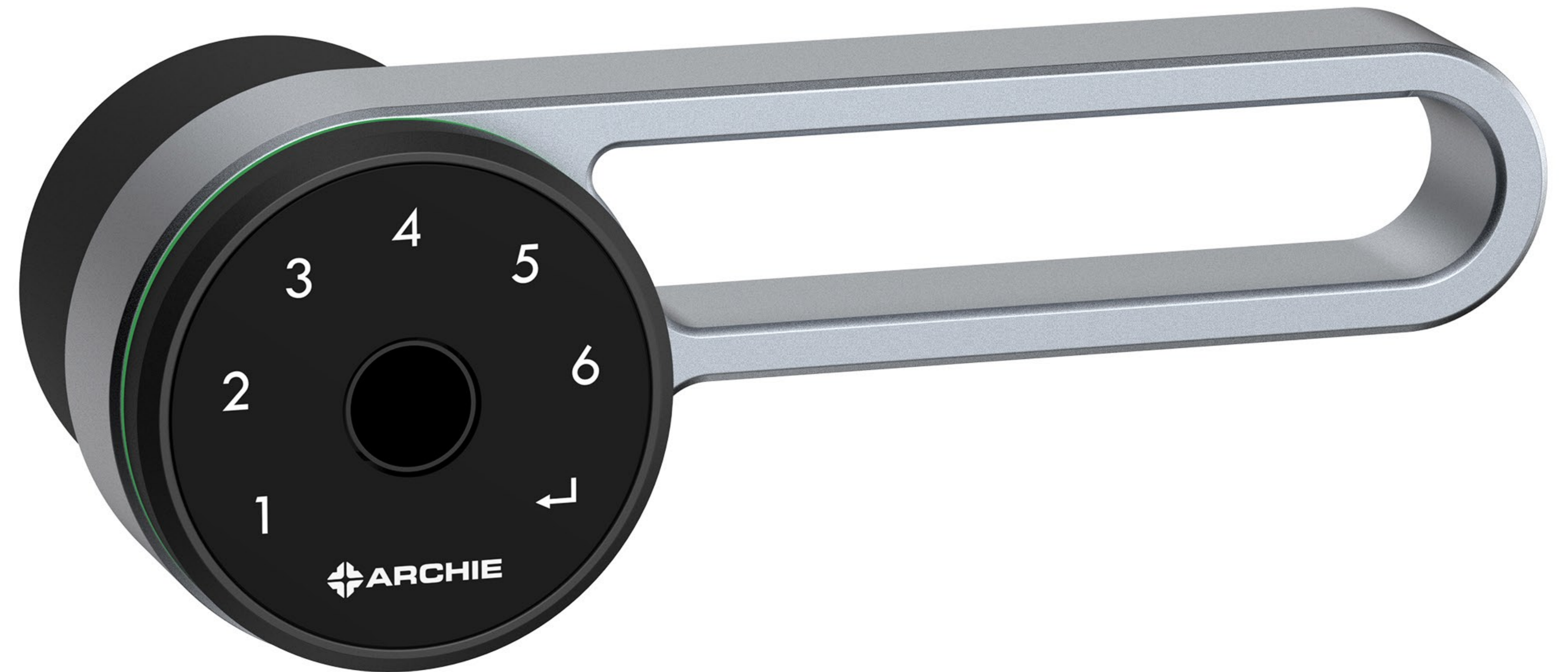
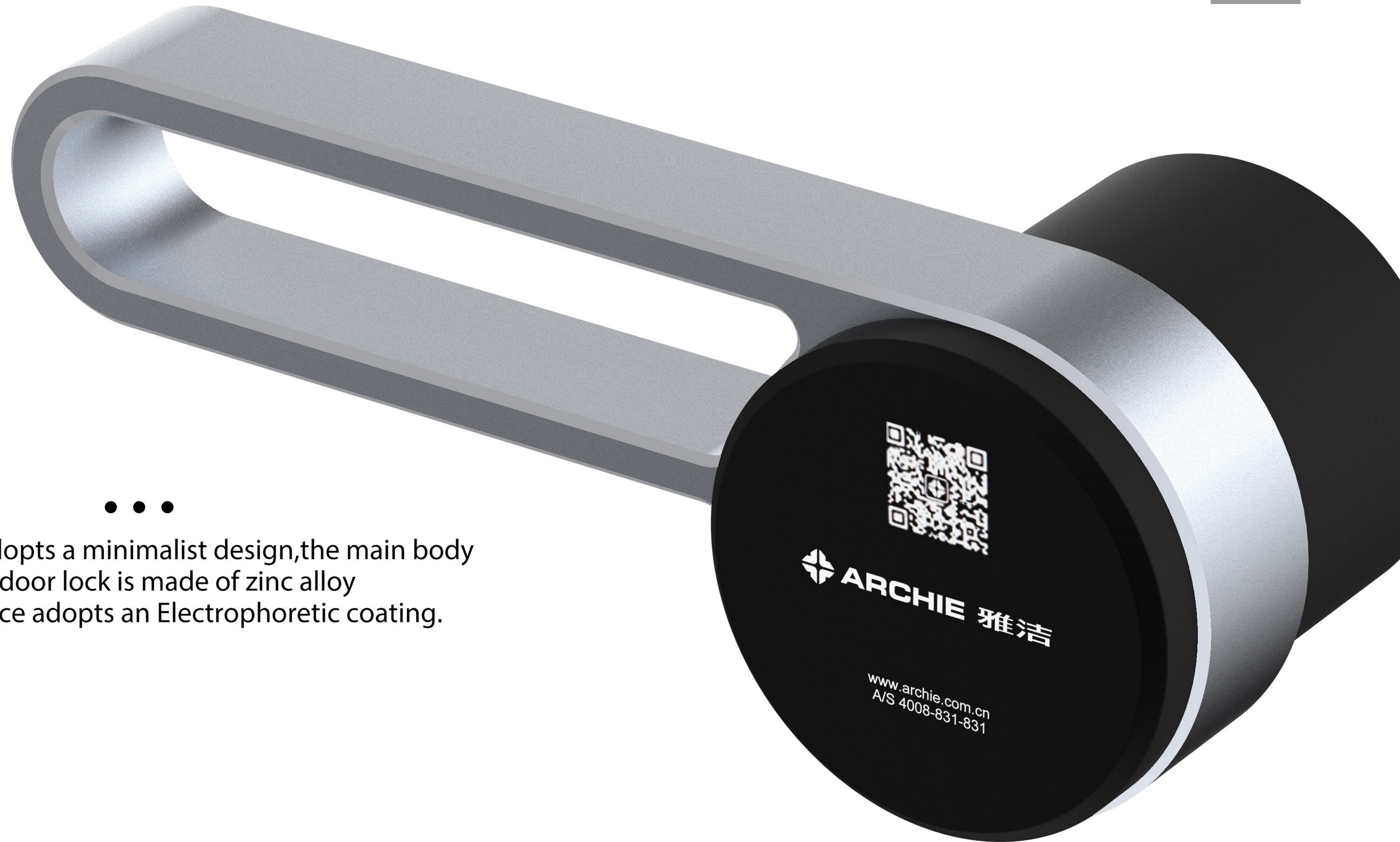


J4011-08 smart door lock

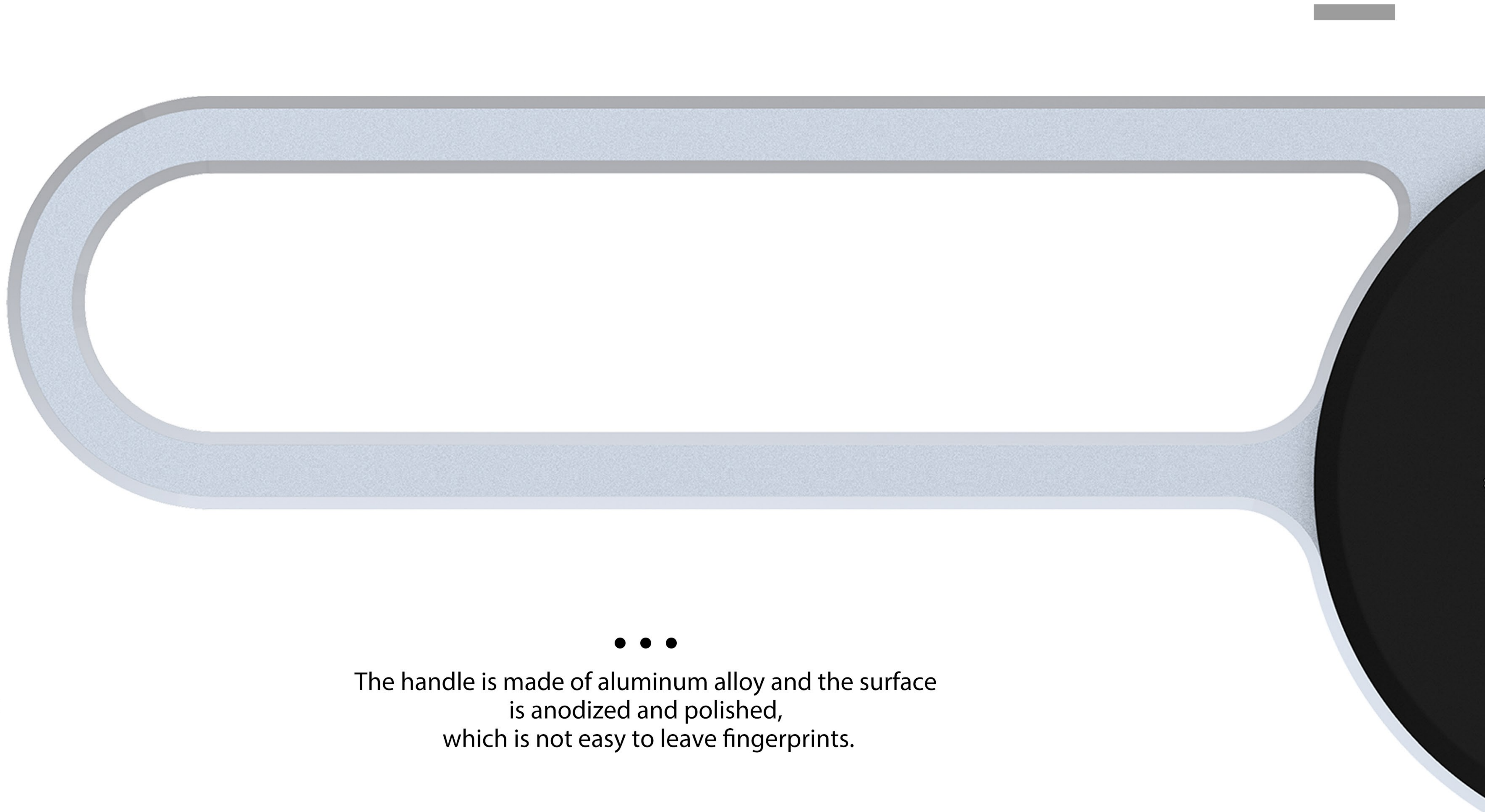
It is specially designed
for indoor and office scenes.





The door lock adopts a minimalist design, the main body of the door lock is made of zinc alloy and the surface adopts an Electrophoretic coating.





The handle is made of aluminum alloy and the surface is anodized and polished, which is not easy to leave fingerprints.





There are champagne gold,
sapphire blue and other colors for users to choose.



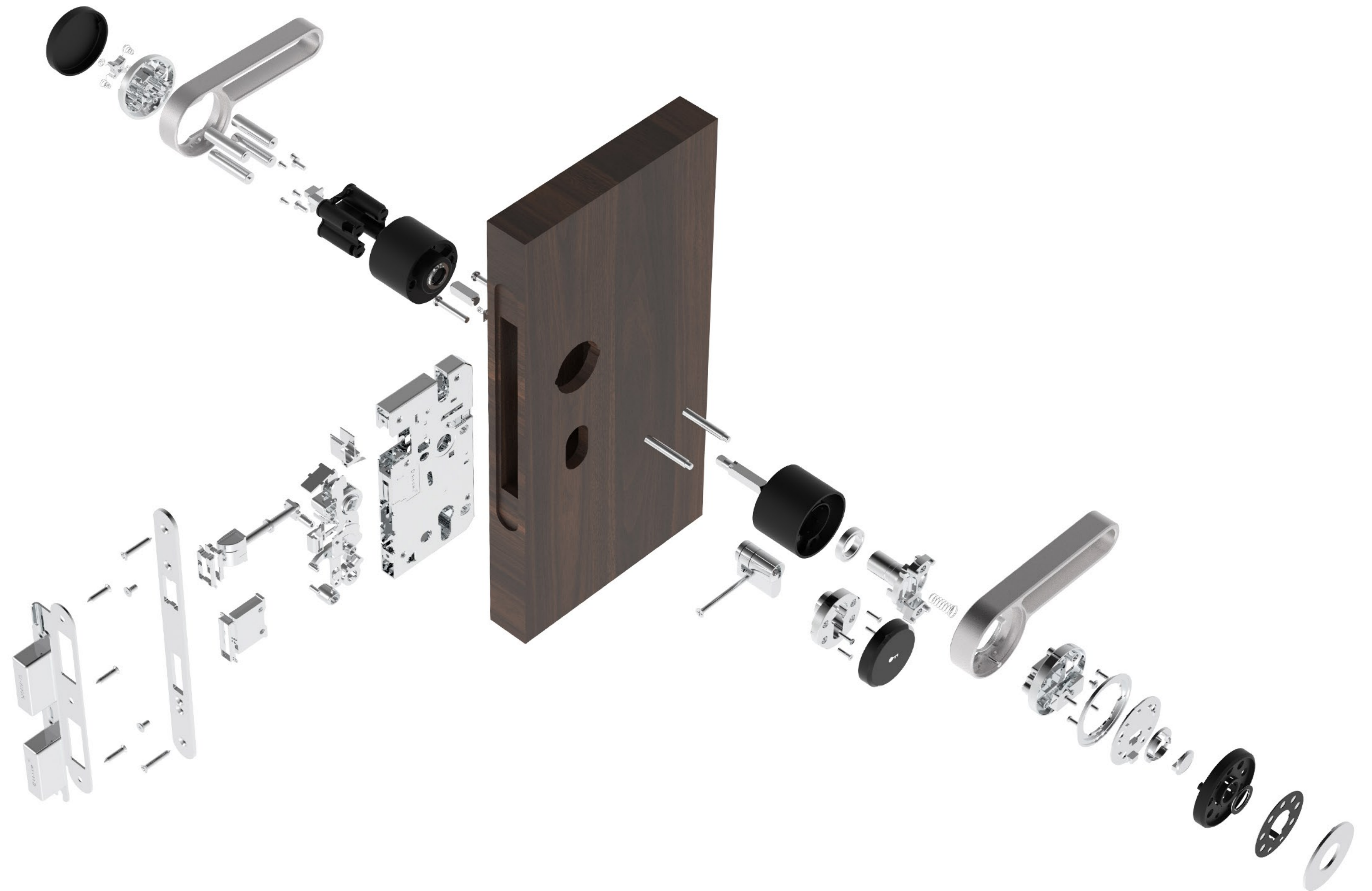
**Reverse the
handle to lock the door quickly**

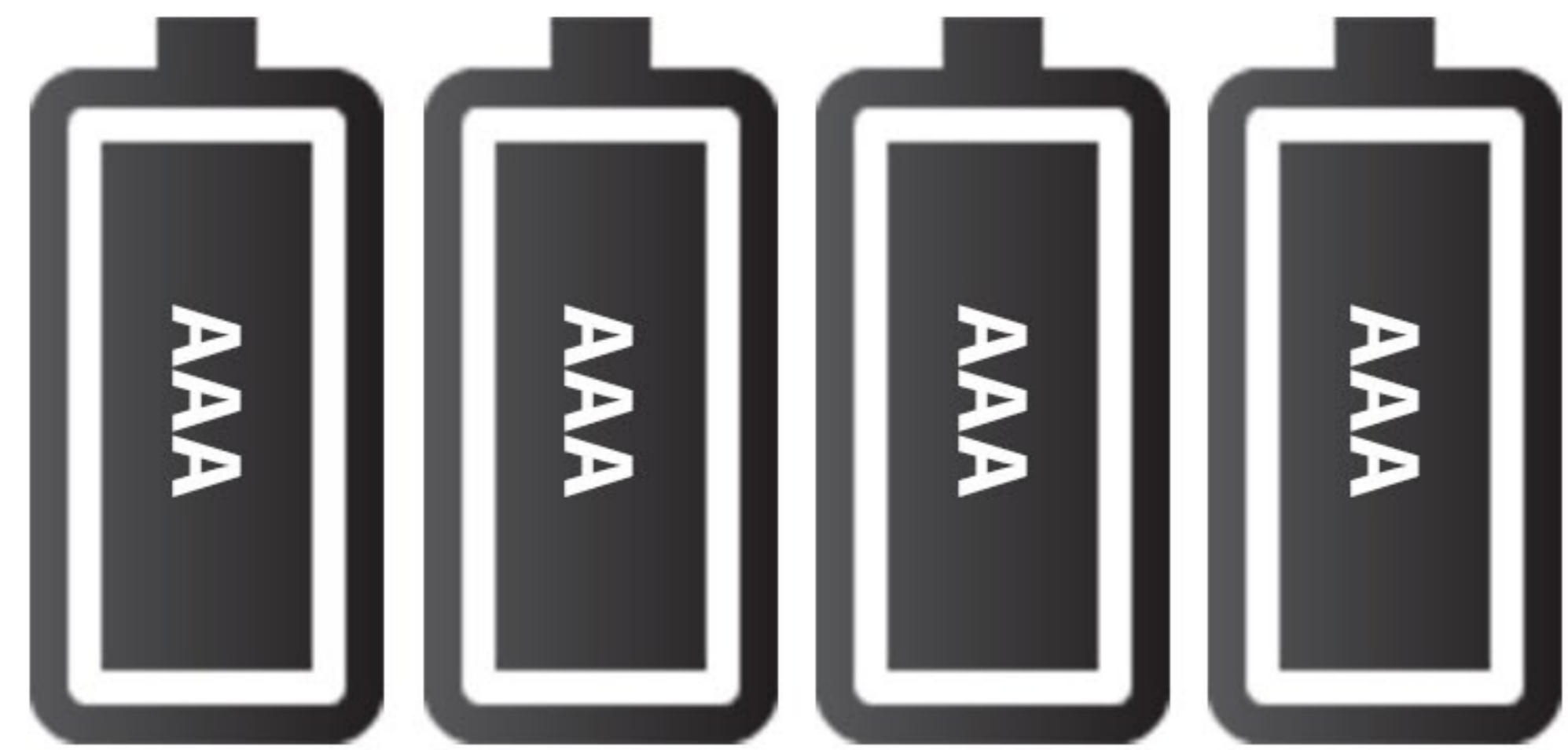


The electromechanical lock body adopts a mute design.

The lock body does not distinguish the inside and outside, which is easy to install.

Meanwhile, it can also provide users with a magnetic electromechanical lock body, without collision between the bolt and the door frame, and reduce the door closing noise.





8 months

Power-saving design

Four AAA batteries can supply power continuously for more than 8 months.

The lock can be normally unlocked about 50 times when low-voltage alarms.



The door lock has twelve functions cover the needs of most users.

1. Vein recognition fingerprint module
2. Exit device function
3. Reverse lifting lock
4. Voice guidance
5. Error alarm
6. Password protection
7. Low voltage alarm
8. Emergency power supply
9. Quick escape
10. Status indicator
11. Mute mode
12. Fingerprint, password, key unlock

