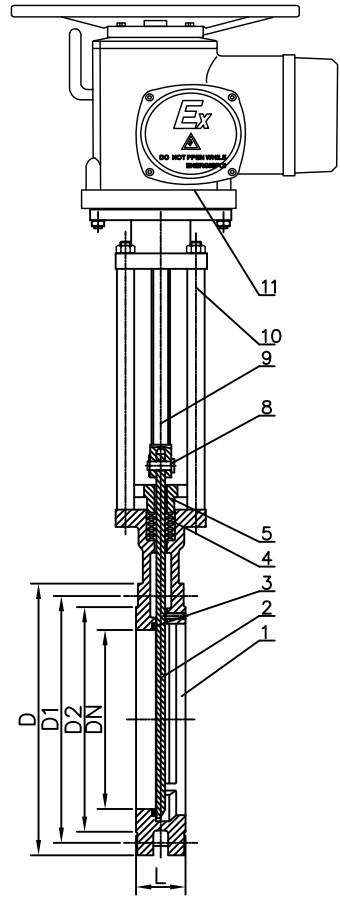
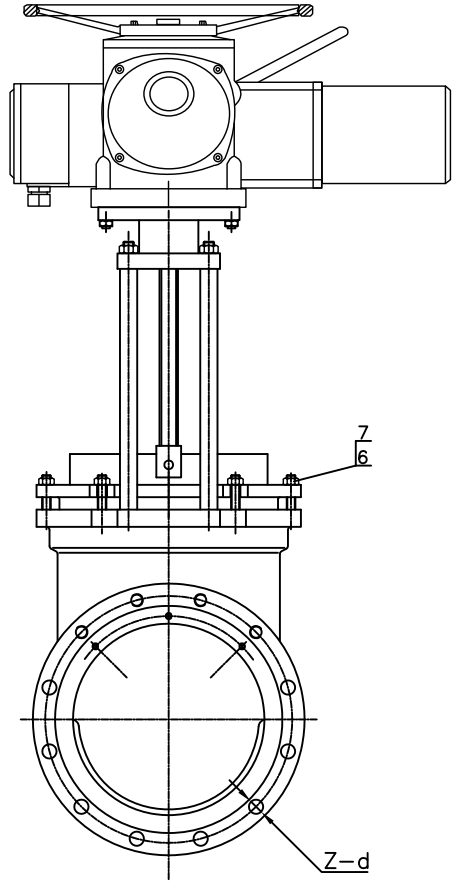


REVISIONS				
ZONE	REV	DESCRIPTION	DATE	APPROVED



NPS	DN	L	D	D1	D2	z-d
2"	50	50	150	120.7	92.1	4-19
4"	100	50	230	190.5	157.2	8-19
12"	300	80	485	431.8	381.0	12-25

6	Nut	316	12		
5	Packing Gland	2520	11	Pneumatic device	Composite parts
4	Packing	Graphite Packing	10	Yoke	CF8
3	Seal Ring	2520	9	Valve Stem	2520
2	Wedge	2520	8	Pin	316
1	Valve Body	2520	7	Stud	316
NO.	Name	Material	NO.	Name	Material

TOLERANCE  
UNLESS OTHERWISE SPECIFIED  
DECIMALS: .0 ± .1  
.00 ± .01  
.000 ± .005  
ANGLES: MACH. ± 1°00'  
FORMED ± 2°  
FRACTIONS: ± 1/16"

APPROVED BY  
BOND

CHECKED BY  
JULIA

DRAWING BY  
C L

**科威納 COVNA® VALVE COVNA GROUP CO.,LTD**

TITLE  
**ELECTRIC KNIFE GATE VALVE ANSI 150#**

FSCM: \_\_\_\_\_ DWG NO. \_\_\_\_\_ REV **A**

SIZE **mm** SCALE **1:1** SHEET SHEET 1 OF 1