

Round LED Wall Washer (WJ-LWW-6-18X4W(4IN1)-RGBW

INSTRUCTION OF LED WALL WASHER/ WJ-LWW-6-18X4W(4IN1)-RGBW

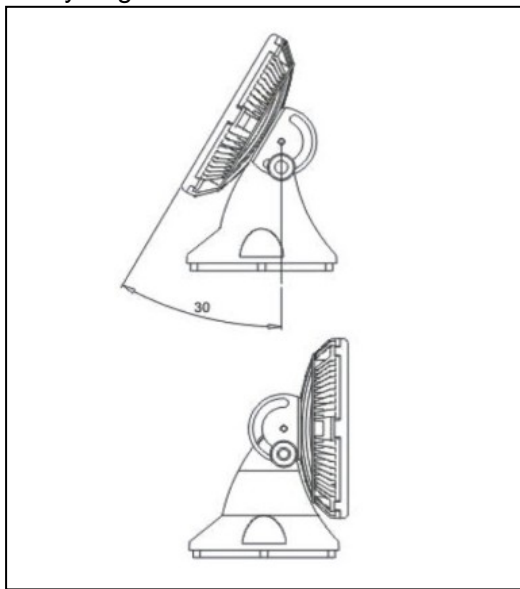
This product is mainly used for decorating and highlighting in building frame, garden, etc. It can work in independent mode and DMX mode, which can generate various color changing effects, such as flashing, fading, steady, seven color jumping synchronously etc. 256 class gray degree dimmer, DMX programmable (thousands of effects available if many lightings connected together) .

A. Structure and Specification (as the below picture):

Size:D230*194MM

Material of Shell: Aluminum alloy

Rotary angle: 180°



B. Technical Parameters

Input Voltage: 100V~256V AC

Operating Voltage: 24V DC

Protection Rating: IP65

Operating Temperature: -20°C~65°C

LENS: 25° 30° 45° 60°

Model No	LED Quantity	Color	Size	Power Consumption	Beam Angel	Weight
WJ-LWW-6-18X4W(4IN1)-RGBW	18 Power LED	4IN1 RGBW	D230*H194mm	72 Watts	25° 30° 45° 60°	4.0KGS

C. Function

Color chasing, fading, flashing, master/slave mode

D. Control mode

Independent mode: choose the effects that you need by pressing the buttons on the side cap of light;

DMX mode: International standard DMX512 signal control (3XLR)

E. Instruction of buttons

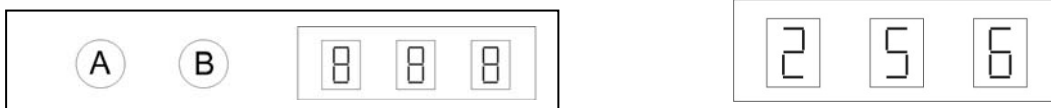
E-1. Set up DMX address

When the digital LED is not flashing, press "A", digital LED begin to flash, press "A" once, active digital LEDs moves backward, you can start to edit the second digital LED; Press "B", the

Round LED Wall Washer (WJ-LWW-6-18X4W(4IN1)-RGBW

corresponding flash digital LED increase one bit (the values between 0 to 9);

*** Range of valid address:001~512



E-2. Adjustment and selection of function for independent mode

After pressing “A “ four times (the first three times is the setup on DMX address) , light enter into independent mode; the digital LEDs shows **PXY**, press A once, active digital LEDs moves backward, you can choose function via **X** and parameter via **Y**; Press “B “ , the corresponding flash digital LED increase one bit (the values between 0 to 9);



X refer to functions (the value between 1 to A), **Y** refer to value of speed and gray degree for the functions (the value between 1 to 9)

Function and parameter form:

X value	Y value(range and function)
1-single red	1~9 class gray degree
2- single green	1~9 class gray degree
3- single blue	1~9 class gray degree
4-single yellow	1~9 class gray degree
5-single purple	1~9 class gray degree
6- single cyan	1~9 class gray degree
7- single white	1~9 class gray degree
8- light red	1~9 class gray degree
9- light green	1~9 class gray degree
A- light blue	1~9 class gray degree
B- light yellow	1~9 class gray degree
C- light purple	1~9 class gray degree
D- light cyan	1~9 class gray degree
E-multicolor jumping	1~9 class speed
F-singlecolor fading	1~9 class speed
G-multicolor fading	1~9 class speed
H-multicolor flashing	1~9 class flash speed
J-Automatic running	

E-3. When pressing button, please wait for about 10 second, then you can exit the mode of adjustment function, the digital LED stop flashing and to memorize the selected parameters.

F. Using instruction

F-1. Independent mode, you can adjust the preset functions of light by button on the side cap;

F-2. DMX mode, use DMX console to control the light, referring to the manual of the relevant DMX console for further information.

Round LED Wall Washer (WJ-LWW-6-18X4W(4IN1)-RGBW

F-3. Master/slave mode, please choose any one light as the master to attaining auto online function, the operations are as below: firstly, set the address of master as 001, others are set as slave(address can be any one except 001); Change function of the master (001) light, then all lights will work synchronously;

F-4. Each lights occupies three DMX channels, which is red, green, blue. For example, light with DMX address 001 occupies the channel 1,2 and 3, light with DMX address 256 occupies the channel256,257 and 258;

F-5. Do not plug them into power when the product is still in package;

F-6. Don't use anything to cover this lighting;

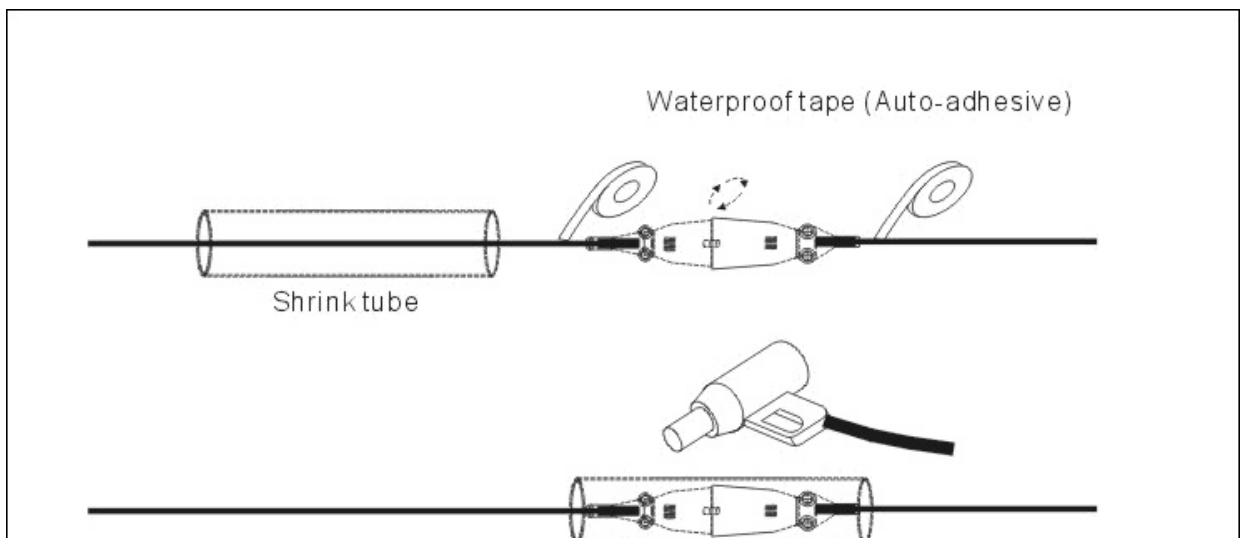
F-7. Don't use this product in close environment;

F-8. If this product appears to be damaged, do not attempt any operation, please contact your dealer.

G. Waterproof treatment

The signal output connector XL-3R of the last fixture (maximum 30 fixtures) of each series must be wrapped with waterproof tape(auto-adhesive, please refer to instruction for operation), thence sealed with a $\Phi 20$ thermal shrinking sleeve and blow and shrink it with a hair drier for waterproof purpose.

Warning: Neglect on action of the above treatment will lead to failure of waterproof and proper working of the lights!!!



H. Installation of supporting brackets

Please screw the supporting brackets to the built-in fixing patch inside of the aluminum housing according to your requirement and location.

