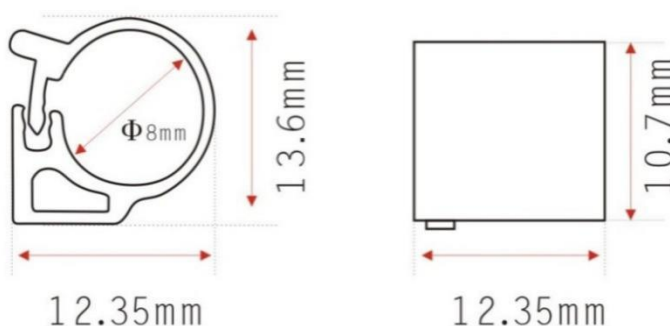


XY-L040121401S

Appearance



Dimensions/mm



RF Specifications

Item	Description	Remark
Chip	EM4200	
Protocol	ISO11784/11785	
Memory (UID)	16Byte	---
Frequency	125KHz	
IC Life	Can read but can't write Data retention of 10 years	

Physical Specifications

Item	Description	Remark
Product Dimensions	12.35mmX13.6mm (inner diameter 8mm)	
Housing Material	PPS	
IP Rating	IP65	
Application temperature	-40~80°C	
Operating temperature	-40~70°C	