

## Application

- All Kinds of Non-metallic Goods Management
- Security Inspection
- Package Identification
- Park Management
- Tree Management
- Asset Management

## Features

- More efficient, save human resources.
- The data is more real and less error-prone.
- RFID global uniqueness ensures the unique identity of each tree. Data can be stored and can be automatically collected in harsh environments.
- Cultivation management: the conservators conduct scientific cultivation on the production cycle of each ancient tree, and provide cultivation contents and services according to the data of RFID tags in order to ensure the quality of famous and ancient trees.

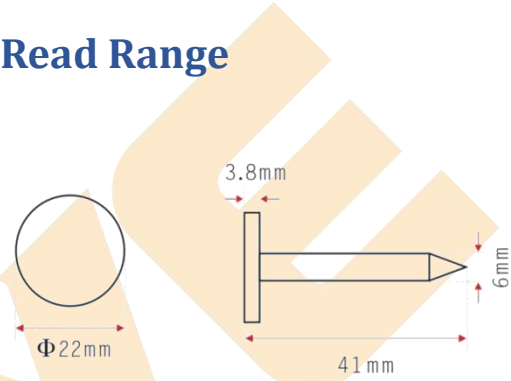
## RF & Physical Specifications

Item	Description	Deviation	Unit
Chip	EM4305	N/A	N/A
Dimensions	41*22mm	±0.5	mm
Thickness	3.8 mm	±0.2	mm
Material	ABS	N/A	N/A
IP Rating	IP 65	N/A	N/A
Application Temp.	-40~80°C	N/A	°C
Operating Temp.	-40~70°C	N/A	°C
Memory	UID 32bits; USER 512bits	N/A	bit
Frequency range with the best performance	125/134.2KHz	N/A	MHz
IC Life	Write endurance of 100,000 cycles Date retention of 50 years	N/A	N/A

## Appearance



## Read Range



**Application Instructions:** Suitable for application in the management of ancient trees, due to the characteristics of nail tags, more used in the logistics of wood tracking. Because of the localization of RFID chip, in the transport of some precious wood, can sign the nail mark into the wood, logistics personnel at any time to scan, management personnel can control the logistics position of wood at any time.

**Optionals:** Personalized customization; silk screen printing, spray printed number (UID code, EPC code, barcode, etc.)  
Provide adhesive option.  
Encoding service.  
Other services as your request.

**Notes:** Installation and use in accordance with specifications, involving the installation of auxiliary appliances, shall be used with the appliances.  
Using a read-write machine with the same protocol to read & write, related to encryption should be used with a password.  
Please use in strict accordance with the product specification.  
Please contact our technical personnel to deal with the abnormal problems such as product damage, package damage and incomplete data.