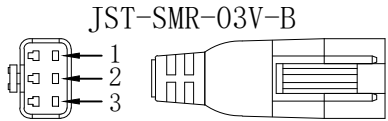
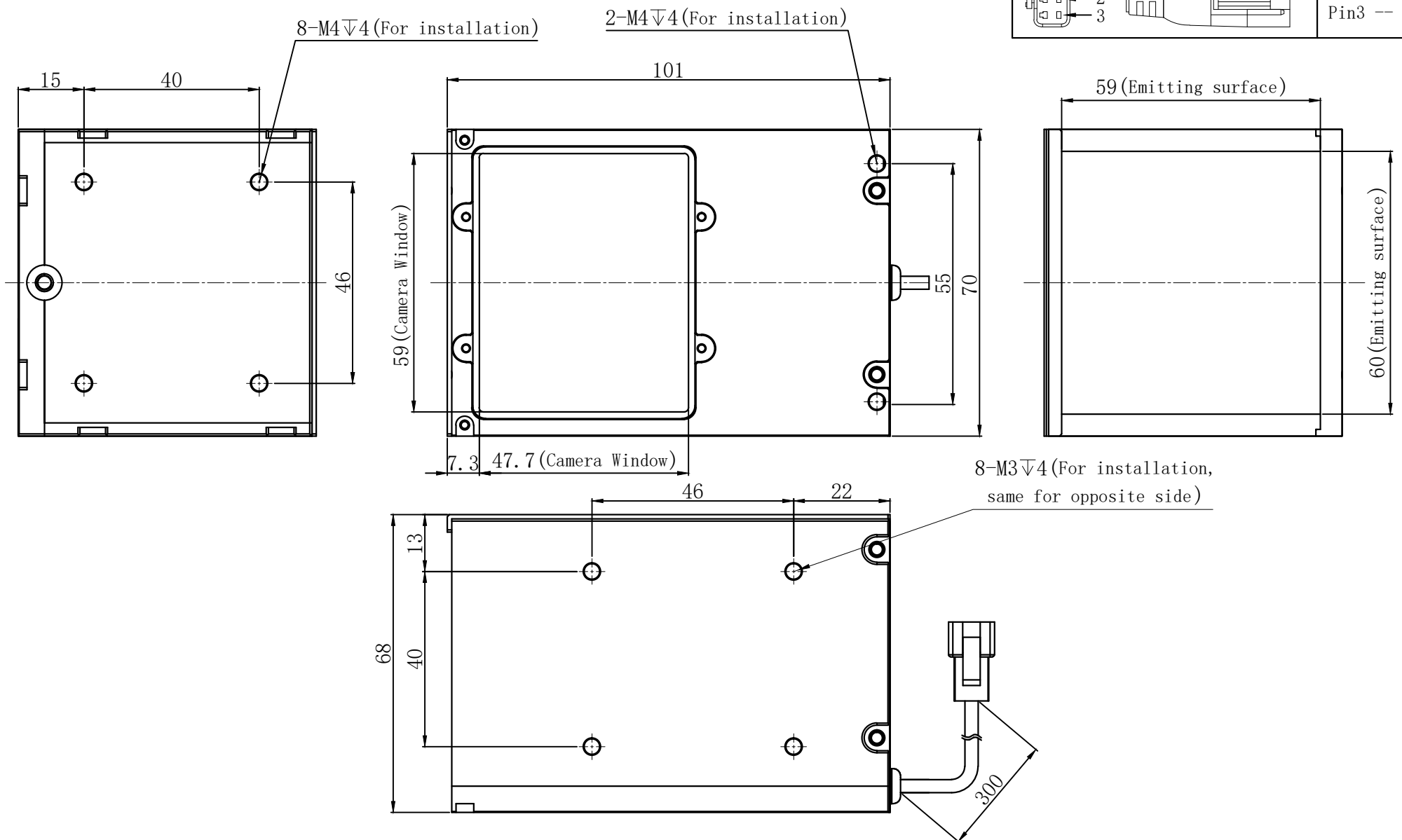


JST-SMR-03V-B



Pin1 -- 棕色/+
Pin2 -- 空 /NC
Pin3 -- 蓝色/-



| Product Installation Dimensions | | | | | Design | 成忠波 | | 2017.06.19 | | wordop® 沃德普 | |
|---------------------------------|-------|-------|----|----|---------|---|-------|------------|-------|----------------------------|--|
| Input Voltage | Power | | | | Approve | | | | | | |
| | R | W/G/B | IR | UV | Weight | View Direction | Ratio | Unit | Name | 90° Turning Coaxial Lights | |
| 24V | 6.1W | 12.1W | | | 420g |  | 1:1 | mm | Model | COA-60 | |