



Solar Powered LED Streetlight

WSL-F | All-in-one Smart Control



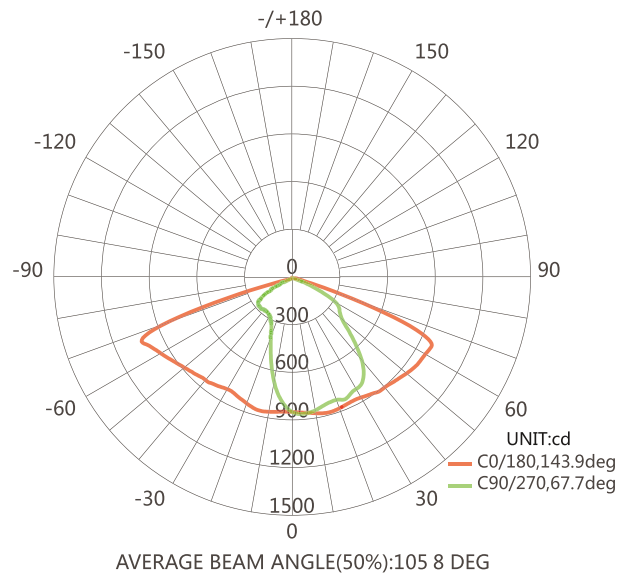
Product composition



Features

- ◆ All-in-one humane light frame design, easy to transport, install, and maintenance.
- ◆ High-end anti-corrosion housing material, 6063 aviation used aluminum, dual coating finish including anodizing and baking process.
- ◆ Solar panel can be adjusted in 360 deg.
- ◆ Intelligent managing module adopted inside to keep the product working in energy-saving and bright enough while human bodies pass by.
- ◆ Multiplecolor flashing tail light design to enhance the overall sense of science & technology of the product.

Light distribution



Technical Parameters

Model	WSL-3F	WSL-4F	WSL-5F	WSL-6F	WSL-8F	WSL-10F
Lumen	3000lm	4000lm	5000lm	6000lm	8000lm	10000lm
LED	Bridgelux 3030/5050					
CCT	2800K - 6500K					
CRI	Ra>80					
Battery	Lithium battery 11.1V (24AH-63AH)					
Solar panel	Monocrystalline silicon 18V (50W-150W)					
Housing	High-end aluminum alloy + outdoor fireproof PC					
IP Rating	IP67					
Charging time	4 - 5 hours (bright sunshine)					
Discharge time	3 - 5 rainy days in intelligent working mode					
Installation	φ 60-65 mm standard poles supported					
Weight	11 kg-15 kg					
Working Temp.	-25℃~+65℃					
Certificate	CE ROHS					
Warranty	5 years					
Remote control	A					

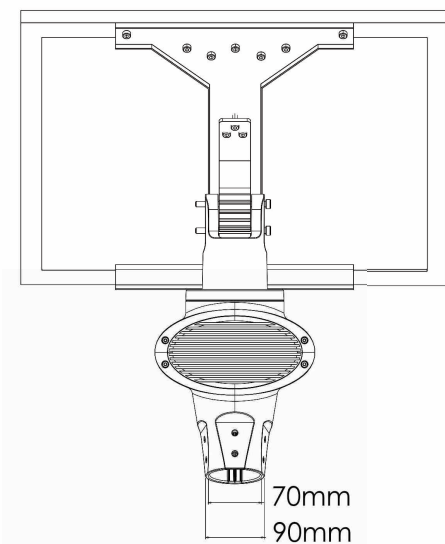
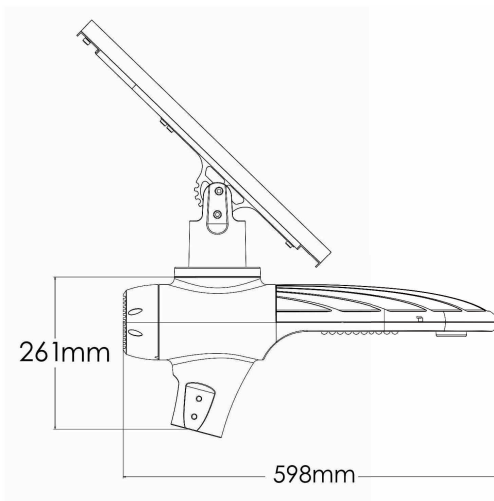
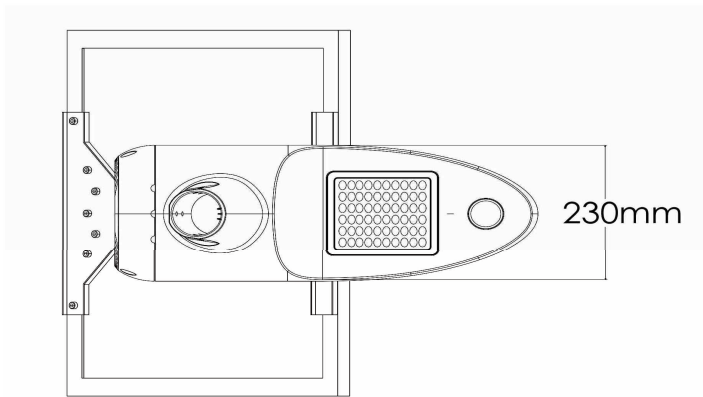
Indicator	LED Indicator status	Function
	Red (blinking)	Charging
	Red (bright)	Full charge
	Blue (off)	Out of battery
	Green (bright)	Normal work

Blinking tail lighting design

To make the lighting effect more amazing, Walsun designs the full-color tail light on the body. The tail light is blinking and the blinking frequency can be adjusted. People can feel the magic sense of science and technology



Product dimensions



Remote control

The WSL-F product is supported to operate with remote control in the distance as far as 30m, and 4 lighting modes can be set by remote:

(refer to the user manual)

DEMO: one-min demonstration for lighting

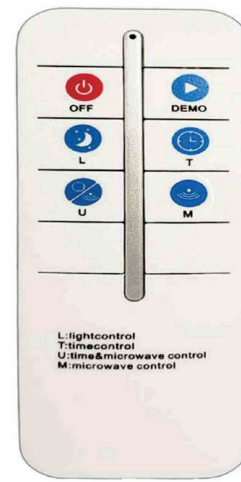
OFF: switch off the light

L: 12h 100% power working mode

T: 4h 100% power + 8h 80% power working mode

M: 12h motion sensor control mode added

U: 4h 100% power + 8h motion sensor control mode



Intelligent sensing

To save power and effectively lengthen the lifespan of the product, a highly sensitive MWS module is configured inside. If choose the sensor control mode, when somebody is moving close to the light, it will be turning brighter and the light will darkens after the body leaves away.



Applications

As a plug-and-play installation structure, simple assembly, this product is widely used in branch roadways, park paths, factories, villages, etc

