



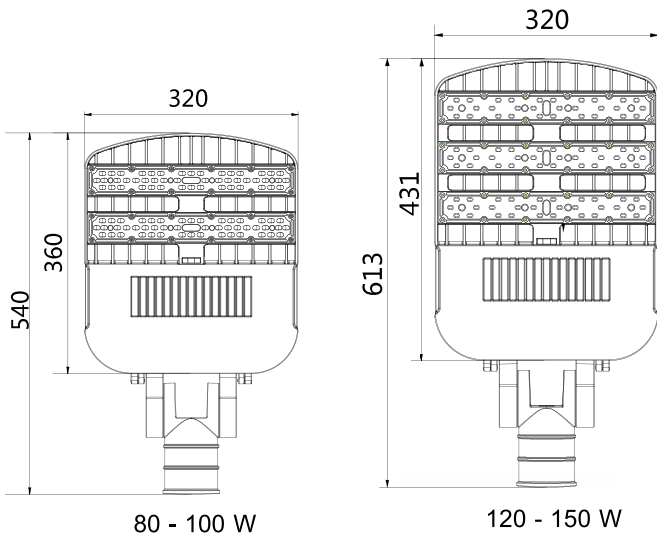
We never give up innovation on the way to bright hopes...

Super High Flux
LED Streetlight

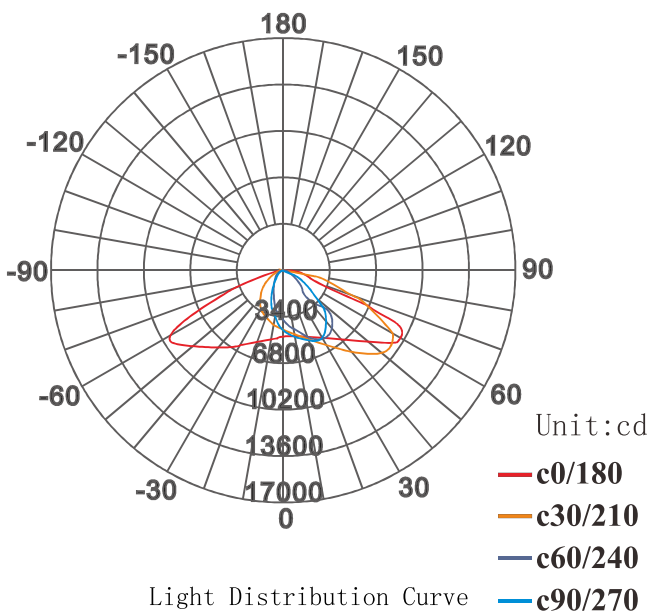


Street Light WSL-C

WSL-80/100/120/150C



Distribution Curve of Meridian



Light Distribution Curve

Standards & Ratings

- RoHS 2011/65/EU (suitable for EU pollution-free standards)
- EMC tested
- LVD directives
- Driver approved by UL, GS, TUV
- CE certified
- CE No. 2G170412.WU017
- IP-67

Mechanical Information:

Fixture Weight:

Model	WSL-80/100C	WSL-120/150C
NW	7.8 kg	9.0 kg
GW	8.6 kg	9.8 kg

Mounting:

Choose a proper pipe (OD<60mm) to mount the product. Adjustable at a 10 deg range in vertical direction.

Electrical Specifications:

- Input Voltage/Current: 100 - 240V AC, 50/60 Hz (Mains type)
- Total system power consumption: 60W, 100W, 120W, 150W
- Operating Temp.: 40°F to 165°F (-40°C to 74°C) ambient
- Terminal Block: #14 AWG (1.6mm) to #6 AWG (4.1mm) wire and accessible via hinged tool less entry
- Noise Requirement/EMC: FCC Title 47, Subpart B, Section 15, class A device. RF Immunity; 10 V/m, 80 MHz - 1 GHz
- Transient Protection: Open circuit surge protection 10 kV standard per ANSI/IEEE C62.41. 2.2002 cat C high
- THD(Mains): < 20%
- Power Factor(Mains): > 0.95
- LED Driver: SESON®, eff > 0.92

Construction:

- Housing: Aviation 6063 aluminum
- Finish: Super dual coat finish
 - Anti-oxidation treatment
 - Powder baking coating
- Lens: Optically optimized, PC
- Photo Controller Socket: Standard NEMA three prong twist lock, socket with shorting cap, as per ANSI C136.10

Photometric Information:

- CRI: >75
- CCT: 2800K - 7500K
- Optics: IES Type III
- Beam Angle: 110 deg
- Light Output Eff: 150 lm/W (6000K typical)
- LED Chip: 3030/5050
- All values typical unless otherwise stated
- Lumen values are typical (tolerance +/- 10%)