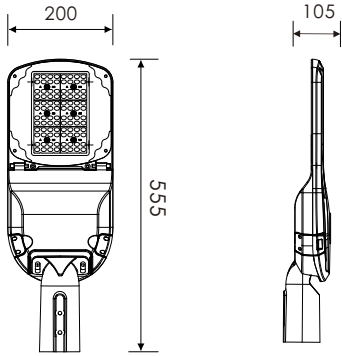
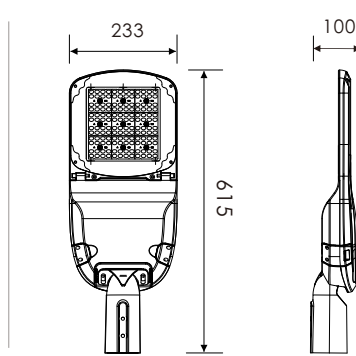


WSL-AD | 25~150W AC Powered LED Streetlight

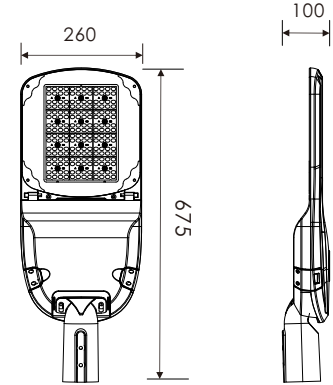
PRODUCT DIMENSIONS



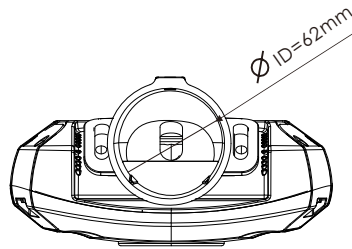
MODEL: WSL-25AD | mm
WSL-50AD | mm



MODEL: WSL-80AD | mm
WSL-100AD | mm

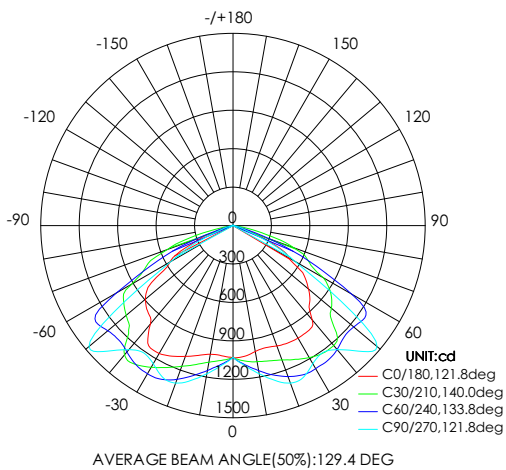


MODEL: WSL-120AD | mm
WSL-150AD | mm

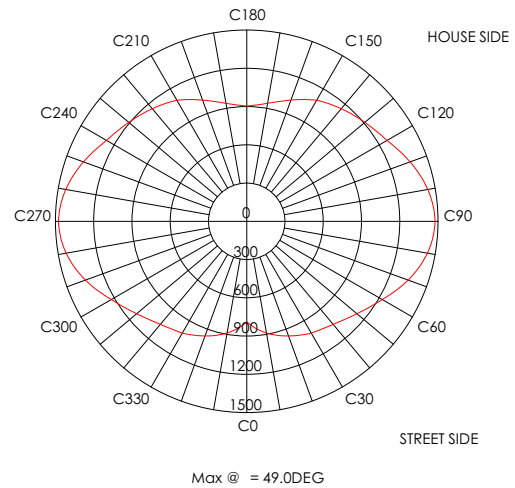


LIGHT DISTRIBUTION CURVE

INTENSITY DISTRIBUTION DIAGRAM
IN C PLANS



MAX INTENSITY CONE SURFACE
DISTRIBUTION DIAGRAM



KEY PARAMETERS

MODEL	Input	Power	Beam Angle	LED type	Flux	IP RATING	Housing	NW
WSL-25AD	100~277V/AC	25W	155x 70°	SMD3030	3,000LM	IP66	AL	2.9KG
WSL-50AD	100~277V/AC	50W	155x 70°	SMD3030	6,000LM	IP66	AL	3.1KG
WSL-80AD	100~277V/AC	80W	155x 70°	SMD3030	9,600LM	IP66	AL	3.8KG
WSL-100AD	100~277V/AC	100W	155x 70°	SMD3030	12,000LM	IP66	AL	4.1KG
WSL-120AD	100~277V/AC	120W	155x 70°	SMD3030	14,400LM	IP66	AL	4.7KG
WSL-150AD	100~277V/AC	150W	155x 70°	SMD3030	18,000LM	IP66	AL	5.0KG