



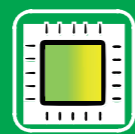
WSL-G5 | STREET LIGHT



All in One



Solar Powered



Smart System



180° illuminated



12 YEARS  
Ultra Long Life

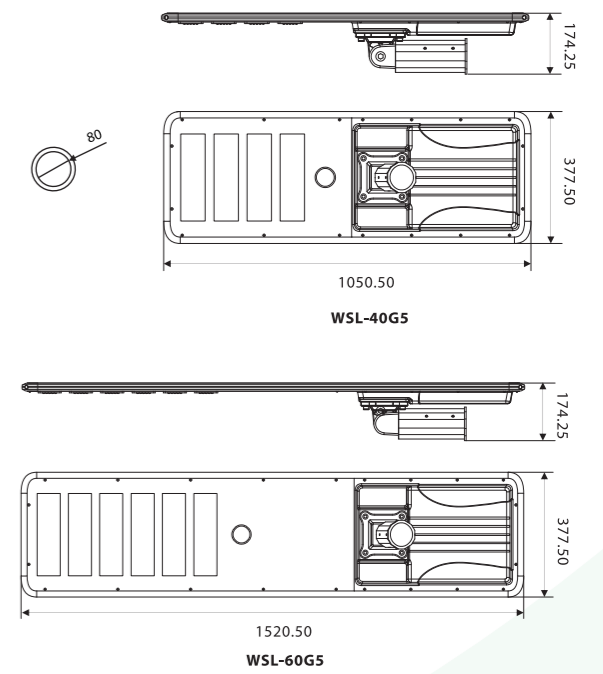
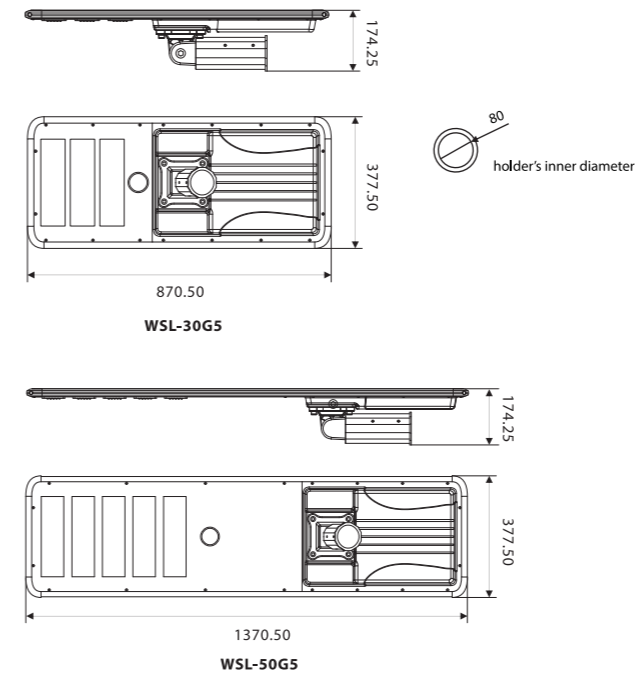
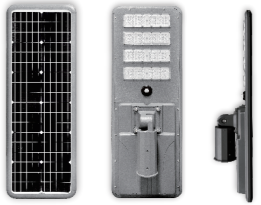
Tech. Specification

Model	WSL-30G5	WSL-40G5	WSL-50G5	WSL-60G5	
Optical	Efficiency	150lm/W	160lm/W	160lm/W	160lm/W
	Lumen	3000LM	4000LM	5000LM	6000LM
	CCT	3000~7000K	3000~7000K	3000~7000K	3000~7000K
Physical	PV(mono)	50W	60W	80W	100W
	Batt(LFP)	192Wh	240Wh	336Wh	384Wh



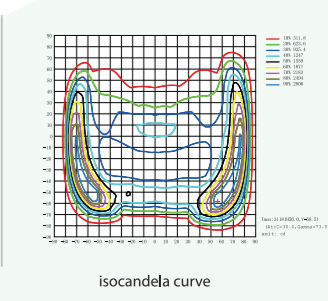
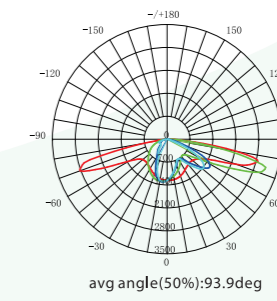
Recommended Installation Methods

Model	WSL-30G5	WSL-40G5	WSL-50G5	WSL-60G5	
Installation	Height	4~6m	5~7m	6~8m	8~10m
	Distance	10~15m	15~20m	15~25m	20~25m
	Upper Pole Size	70~76mm	70~76mm	70~76mm	70~76mm
Body	Size(L*W*H)	870*377*174mm	1050*377*174mm	1370*377*174mm	1520*377*174mm
	NW	8.9kg	10.3kg	11.7kg	13.1kg



General data for all models

Characteristics	Tech Parameters	
Optical	Light Distribution	Batwing/Type III
	Viewing Angle	120°*60°
	CRI	>80
	Light Control Vtg	5V/DC
	Working Time	100% power: 10hrs saving mode: 4-5days
Physical	Sensing Type	microwave/PIR
	Detection Range	15m
	Delay Time	10s.
	Control Modes	light/time/dual
	100% charged	6-8hrs
	100% discharged	60hrs
	Design Life	10~12 years
	Major Material	AL/ADC12
	IP Rating	IP67
	Work Temp.	Charging: -25°C~65°C Discharging: -20°C~40°C Storage: -20°C~40°C



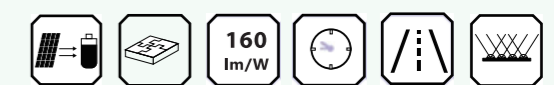
charging in daytime



body induction in nighttime



normal work in nighttime



Let there be light!