



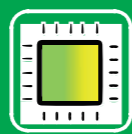
WLS-G3 | STREET LIGHT



All in One



Solar Powered



Smart System



180° illuminated



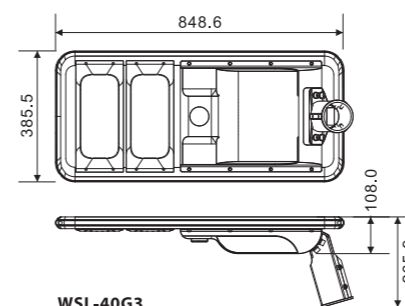
Ultra Long Life

Tech. Specification

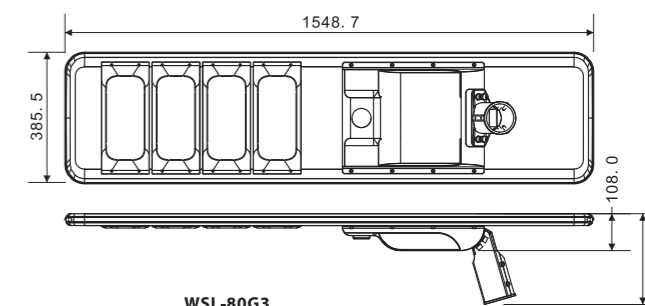
Model	WSL-40G3	WSL-50G3	WSL-60G3	WSL-80G3	WSL-100G3	WSL-120G3
Optical	Efficiency	160lm/W	160lm/W	160lm/W	160lm/W	160lm/W
	Lumen	6000LM	7500LM	9000LM	12000LM	15000LM
	CCT	3000~7000K	3000~7000K	3000~7000K	3000~7000K	3000~7000K
Physical	PV(mono)	60W	70W	80W	100W	130W
	Batt(LFP)	230.4Wh	307.2Wh	384Wh	460.8Wh	537.6Wh

Recommended Installation Methods

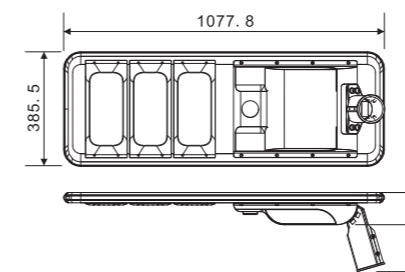
Model	WSL-40G3	WSL-50G3	WSL-60G3	WSL-80G3	WSL-100G3	WSL-120G3
Installation	Height	5~7m	6~8m	7~9m	8~10m	9~11m
	Distance	15~20m	15~25m	20~25m	20~30m	25~30m
	Upper Pole Size	70~76mm	70~76mm	70~76mm	70~76mm	70~76mm
Body	Size(L*W*H)	848*385*180mm	1077*385*180mm	1077*385*180mm	1548*385*180mm	1863*385*180mm
	NW	11.2kg	13.0kg	13.5kg	18.8kg	21.5kg



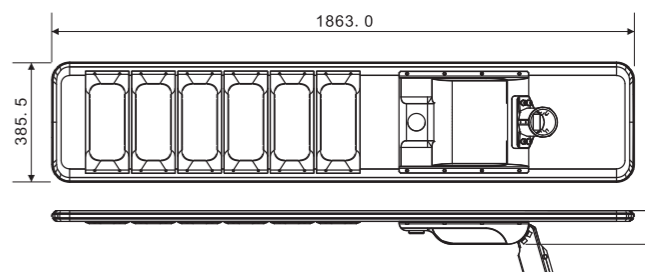
WSL-40G3



WSL-80G3



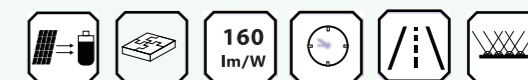
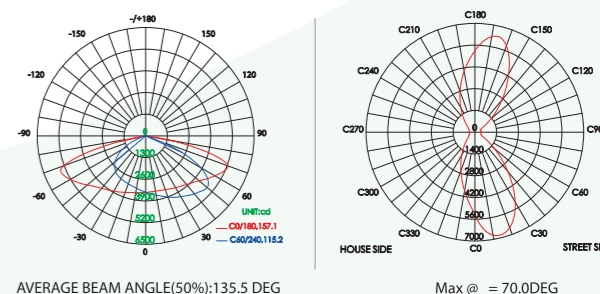
WSL-50G3/WSL-60G3



WSL-100G3/WSL-120G3

General data for all models

Characteristics	Tech Parameters	
Light Distribution	Batwing/Type III	
Viewing Angle	150°*70°	
Optical	CRI	>80
	Light Control Vtg	5V/DC
Working Time	100% power	10hrs
	saving mode	4-5days
Sensing Type	microwave(radar)	
Detection Range	15m	
Delay Time	10s.	
Control Modes	light/time/dual	
100% charged	6-8hrs	
Physical	100% discharged	60hrs
	Design Life	10~12 years
Major Material	AL6063	
IP Rating	IP65	
Work Temp.	Charging	-25°C~65°C
	Discharging	-20°C~40°C
	Storage	-20°C~40°C



Let there be light!