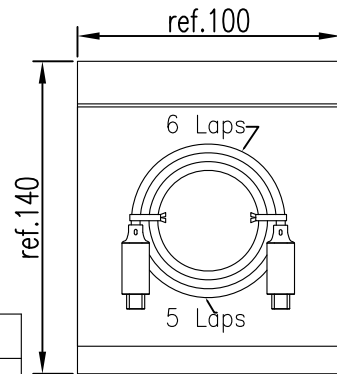
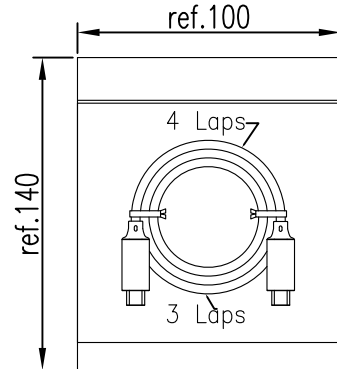
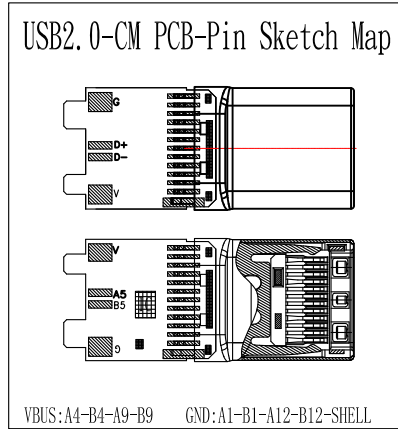
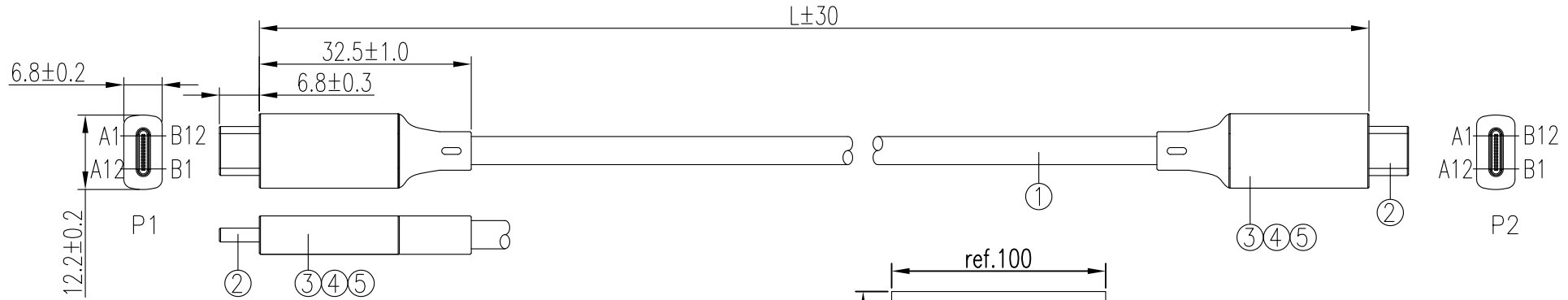
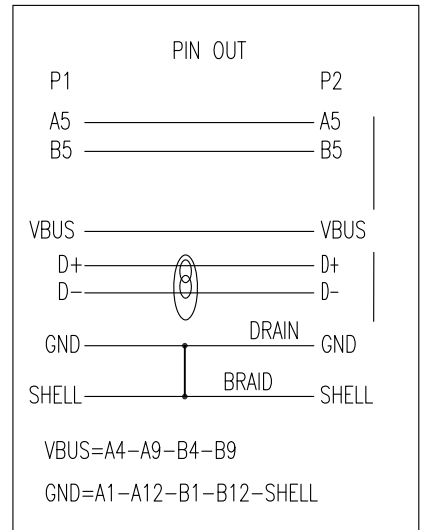


Customer Name: XXXXX

REV.	Date	Description
1.0	2023-11-16	First Issue



L
1000mm
2000mm



NOTE:  
 1. TESTING CONDITIONS:  
 A: INSULATION RESISTANCE: 10MΩ  
 B: VOLTAGE: DC300V/0.01S  
 C: CONDUCTOR RESISTANCE 3Ω  
 D: DATA READING SPEED: 480MB/S MIN.  
 E: 20V/5A

5	AR	OVER MOLDING: BLACK TPE
4	AR	COPPER FOIL
3	AR	INNER MOLDING: PE
2	2	USB2.0 C TYPE MALE: GOLD PLATED 15U CONTACTS, NICKEL PLATED SHELL, BLACK INSULATION
1	AR	USB2.0 CABLE: 32AWG*1P+32AWG*2C+22AWG*2C +AD(65/0.08TA)+B(16/8/0.08TC),BLACK TPE JACKET, OD=4.5±0.2mm
NO	Q'TY	DESCRIPTION

THIS DRAWING IS A CONTROLLED DOCUMENT.				<b>P-Shine</b> P-Shine Electronic Tech Ltd			
DATE:		PART NO. :		TITLE : USB 2.0 TYPE CM TO CM 1M/2M			
UNITS: MM				DRAWING NO.:			
APPD BY	CHECK BY	ENG BY	DRAWN BY	SCALE NONE	SHEET 1 OF 1		