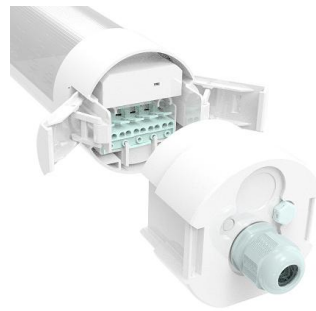
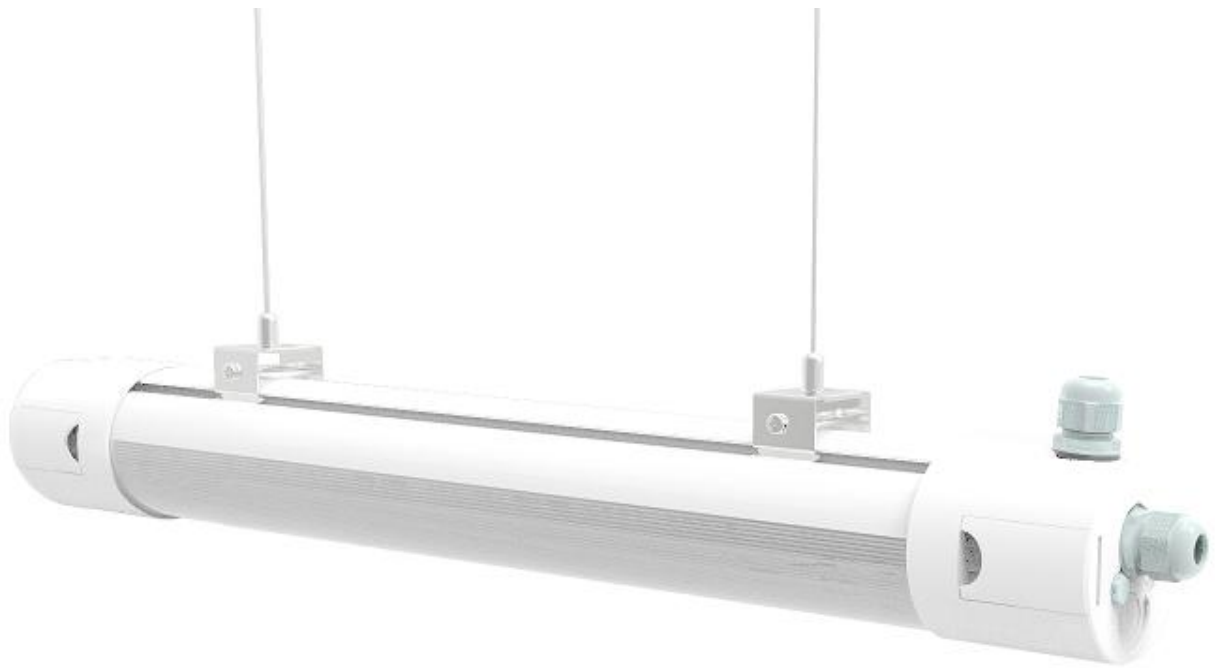


SHENZHEN TONYA LIGHTING TECHNOLOGY CO.,LTD

H series Toolless LED Tri-proof Light



Tonya guarantee that all products being sold are QC passed, and reached the standard for shipment with 5 years warranty



Tel:+86-755-23154966

Web:www.tyledlight.com

Email:sales@tonyalight.com

LED Tri-proof Light Features

High Brightness Design

Well-distributed of light output, chips scattered and heat accumulation small, easy heat radiation.

Surface Treatment

Positive pole, Oxidize, Sanding, Polishing Treatment all process make smooth surface of lighting and protect yourself during installation.

Heat Dissipation Principle

International standards Plastic aluminum, Convection line design fully helpful heat radiation to prolonging the lamp life time.

Flicker Free Isolated Power Supply

The wide pressure input power supply can be applied to carious kinds of power grids.

Input voltage solutions: 170-240v/100-277v/480v

Dimming Solutions: DALI/1-10V Dimming .

Multiple installation methods

A variety of mounting options are available for different applications, it can be mounted on poles and walls.

Optional Accessories: Wire Suspension, Splice Connection Kit.

Tool Free installation

Lightweight snap-on switch design for tool-free direct connection.

Overall lamp protection level

Waterproof, dustproof and corrosion resistant: IP65

Shell anti-collision rating; IK10

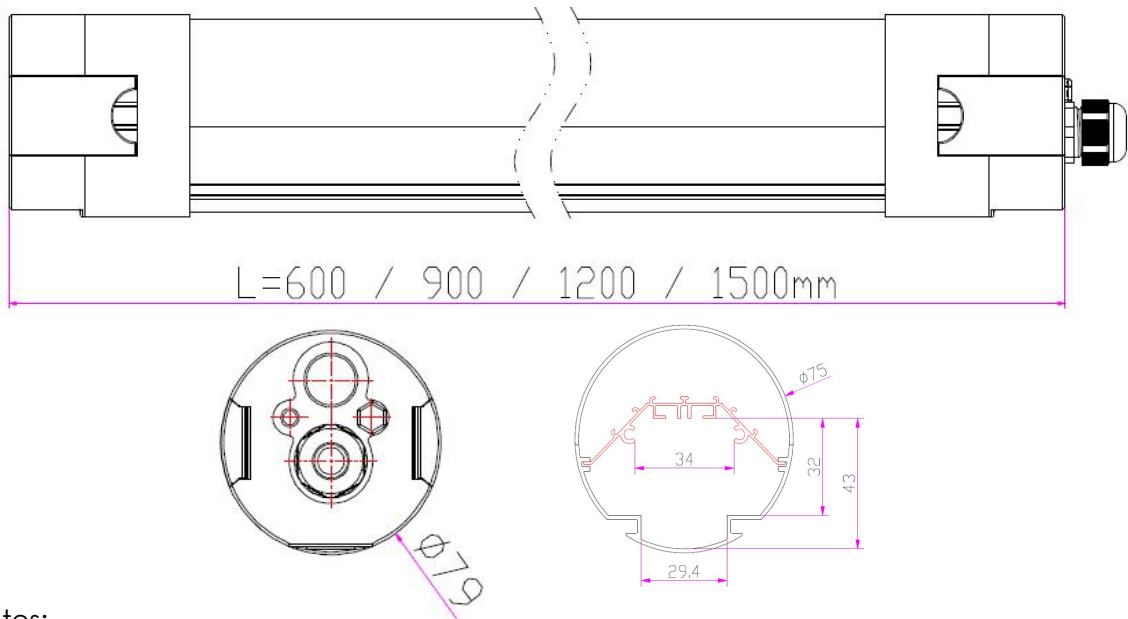
Multiple Connection Methods

Series and parallel are suitable for different application scenarios, and realize various connection modes of lamps.

More durable & robust

It can light up to 10 years, comes with 5 years guarantee time.

Drawing



Notes:

1. All dimension units are millimeters.
2. All dimension tolerance is ± 1 mm unless otherwise noted.

Application

- Widespread use in Family, School,
- Commercial Building, Tower, Hotel, Restaurant
- Pathway lighting, Street lighting
- Office, Showing Room, Meeting Room
- Factory, Production Line, Warehouse
- Subway station, bus and train



Characteristics

Absolute Maximum Rating at TA=25°C

Parameter	Symbol	Absolute Maximum Rating (60/90/120/150)	Unit
Working Voltage	V	AC100-240V/AC100-277V	V
Power Dissipation	PD	20 / 30 / 40 / 60	W
Electrostatic discharge	ESD	800	V
Operating Temperature	Topr	-20~+50	°C
Storage Temperature	Tstg	-30~+60	°C
Waterproof	IP	IP65	
Windproof	IK	IK10	

Electrical / Optical Characteristics at TA=25°C (Blue color are hot sale.)

Length	Part No.	Color	Color Temp.	Lumen	Power	CRI(Typical)	Viewing Angle
60cm	TY-TPHE600WL-20W	Pure white	6000-6500K	2900lm±10%	20W	80	200°
	TY-TPHE600DW-20W	Neutral White	4000-4500K	2800lm±10%	20W	80	200°
	TY-TPHE600WW-20W	Warm white	3000-3500K	2700lm±10%	20W	80	200°
90cm	TY-TPHE900WL-30W	Pure white	6000-6500K	4300lm±10%	30W	80	200°
	TY-TPHE900DW-30W	Neutral White	4000-4500K	4200lm±10%	30W	80	200°
	TY-TPHE900WW-30W	Warm white	3000-3500K	4100lm±10%	30W	80	200°
120cm	TY-TPHE1200WL-40W	Pure white	6000-6500K	5700lm±10%	40W	80	200°
	TY-TPHE1200DW-40W	Neutral White	4000-4500K	5600lm±10%	40W	80	200°
	TY-TPHE1200WW-40W	Warm white	3000-3500K	5500lm±10%	40W	80	200°
150cm	TY-TPHE1500WL-60W	Pure white	6000-6500K	8500lm±10%	60W	80	200°
	TY-TPHE1500DW-60W	Neutral White	4000-4500K	8400lm±10%	60W	80	200°
	TY-TPHE1500WW-60W	Warm white	3000-3500K	8300lm±10%	60W	80	200°

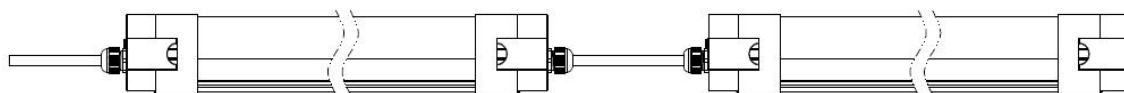
Notes:Tolerance of measurement of luminous intensity±15%.

Installation

Precaution: Switch off power before doing any works.

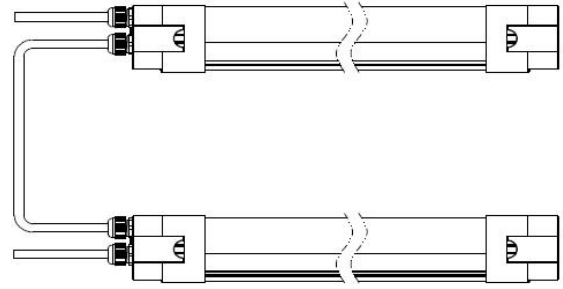
Method A

Series connection installation as bellow:

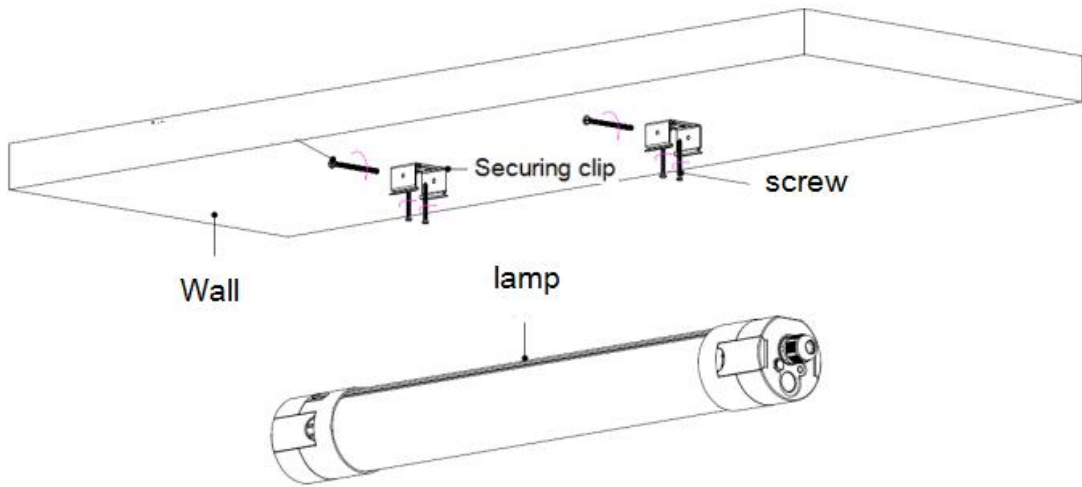


Method B

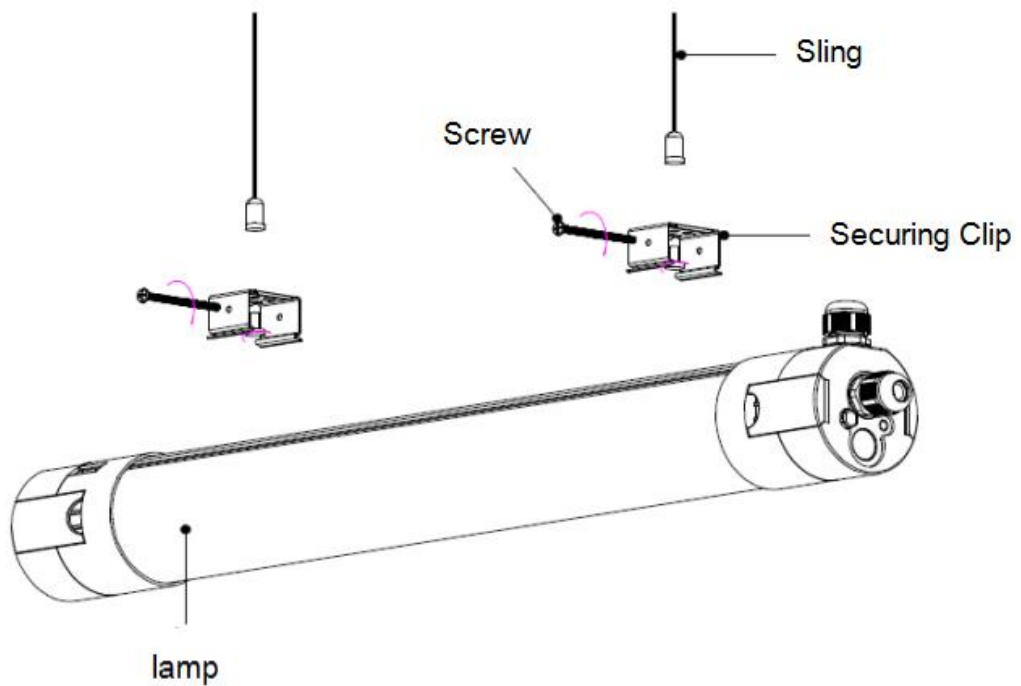
parallel connection installation as bellow:



1 . Ceiling installation



2 . Sling installation

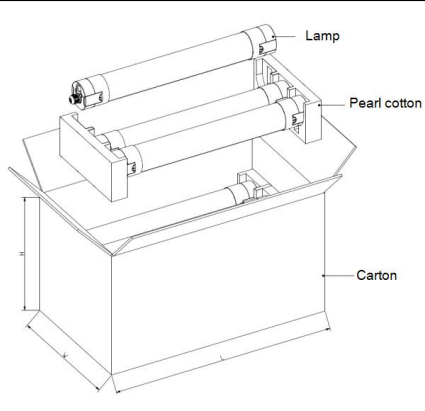


Warning

- ◆ LED Tri-proof light and all of its components must not be subjected to mechanical stress.
- ◆ The complete installation must be done by an electrical expert who is familiar with the valid directives.
- ◆ If any doubt about the installation or use of this product, consult a competent electrician
- ◆ Don't use it if aluminium of the tube have any damage or distortion. Otherwise, the product or the installation might not be sufficiently safe!
- ◆ Switch off power of the mains supply or respectively of the connection lead before doing any works.
- ◆ Assembly must not damage or destroy conducting paths.
- ◆ Make sure that the product is mounted on a stable, even and tilt-fixed background.
- ◆ Keep away from direct sunshine and high temperature

Packing Information

Length	Outer Carton Size (L×W×H) cm	Qty/Carton (pcs)	N.W (kg)	G.W (kg)
60cm	67*29*34	9	10	11
90cm	97*29*34	9	12	13
120cm	1270*29*34	9	16	17
150cm	1570*29*34	9	20	21



The diagram illustrates the packaging of the LED Tri-proof light. It shows a rectangular carton with a lamp tube inside. The lamp tube is secured with a metal bracket and is surrounded by pearl cotton padding for protection. Labels indicate 'Lamp', 'Pearl cotton', and 'Carton'.