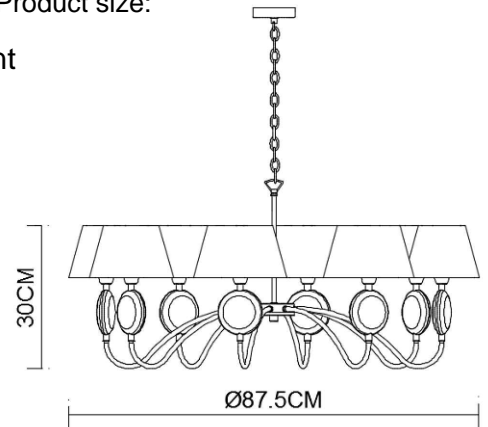


# Specification Sheet

Picture:



Product size:



Name: ----- Napoleon 8 pendant

Code: ----- 3048

Finish: ----- Polished

Main Material: --- Stainless steel  
+ Steel

Shade Material: -- Fireproof Paper

Lamp Source: E14

Wattage: 8x40W / 8x9W

Input Voltage: 220~240 V

Lumen: 2720 lm

Switch: Na

Energy Efficiency Class:

Plug: Na

Specification:



IP20

Inner Box:

Gross Weight: 18.2KGS

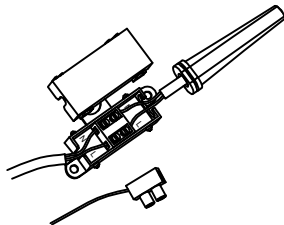
825\*825\*300(mm) 1pc

Net Weight: 7.2KGS

Outer Carton:

840\*840\*630(mm) 2pcs

Cable Length / Terminal Block:



Installation Instruction:

