

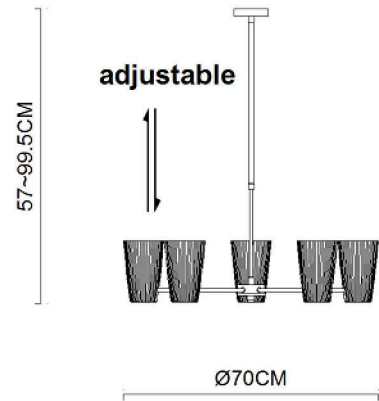
Specification Sheet

Picture:



Product size:

Name: ----- Brown 5 Pendant
 Code: ----- 3205
 Finish: ----- Polished
 Main Material: --- Stainless steel
 Shade Material: -- Opal Glass



Lamp Source: E14

Wattage: 5x40W / 5x9W

Input Voltage: 220~240 V

Lumen: 1700 lm

Switch: Na

Energy Efficiency Class:

Plug: Na

Specification:



Inner Box:

Gross Weight: 22.8KGS

665*645*175(mm) 1pc

Net Weight: 12KGS

Outer Carton:

685*665*730(mm) 4pcs

Cable Length / Terminal Block:

Installation Instruction:

