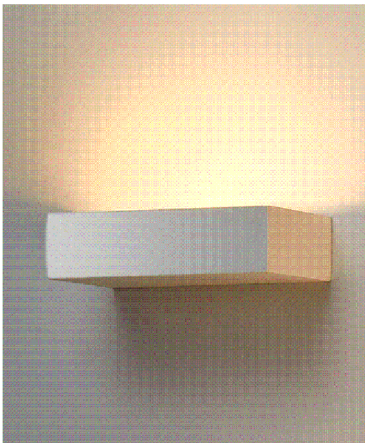


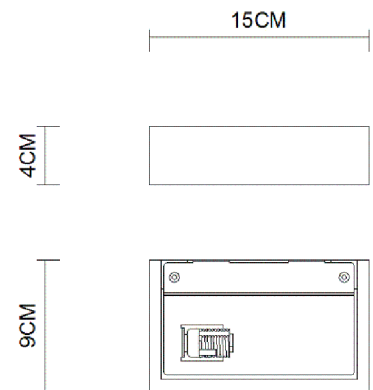
Specification Sheet

Picture:



Product size:

Name: ----- Sunrise 150 Plaster
Wall Lamp
Code: ----- 1268
Finish: ----- White
Main Material: --- Plaster+Steel
Shade Material: -- Plaster



Lamp Source: G9

Wattage: 1x20W

Input Voltage: 220~240 V

Lumen: 250 lm

Switch: Na

Energy Efficiency Class: C

Plug: Na

Specification:



Inner Box:

Gross Weight: 7.2 KGS

210*100*155(mm) 1pc

Net Weight: 5.6 KGS

Outer Carton:

485*225*430(mm) 12pcs

Cable Length / Terminal Block:

Installation Instruction:

