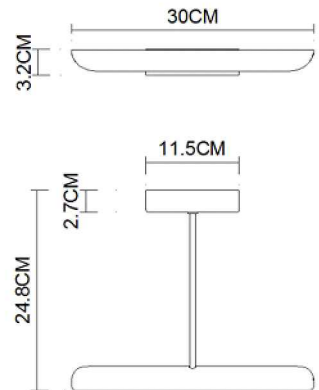


Specification Sheet

Picture:



Product size:



Name: ----- Tornado Long Picture Lamp
Code: ----- 1375
Finish: ----- Polished+White
Main Material: -- Stainless steel
Shade Material: -- Stainless steel

Lamp Source: LED
Wattage: ☽ 2x1W
Input Voltage: 220~240 V
Lumen: 160 lm
Switch: Na
Energy Efficiency Class: A
Plug: Na

Specification:



Inner Box: Gross Weight: 6.8KGS
315*70*365(mm) 1pc
Net Weight: 3.2KGS
Outer Carton:
645*380*310(mm) 8pcs

Cable Length / Terminal Block:

Installation Instruction:

