

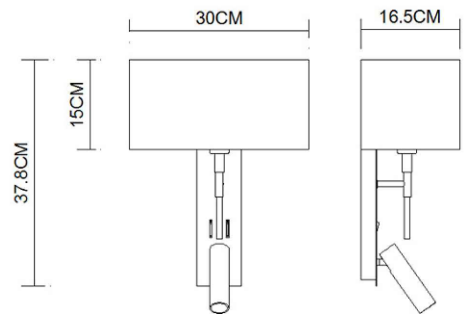
# Specification Sheet

Picture:



Product size:

Name: ----- Tendency Length  
LED Wall Lamp  
Code: ----- 1589  
Finish: ----- Polished  
Main Material: --- Stainless steel  
+ Aluminium  
Shade Material: -- Fabric+PVC



Lamp Source: E14+LED

Wattage: 1x40W / 1x9W + 1x3W

Input Voltage: 220~240 V

Lumen: 420 lm

Switch: Rocker Switch

Energy Efficiency Class:

Plug: Na

Specification:



Inner Box:

Gross Weight: KGS

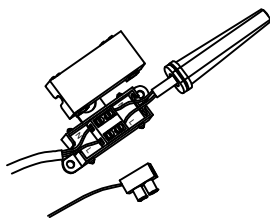
345\*210\*280(mm) 1pc

Net Weight: KGS

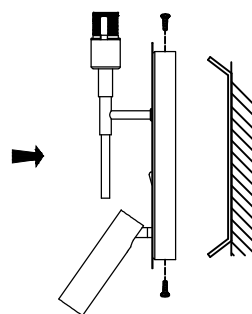
Outer Carton:

710\*440\*590(mm) 8pcs

Cable Length / Terminal Block:



Installation Instruction:



size230x55xH:25

