

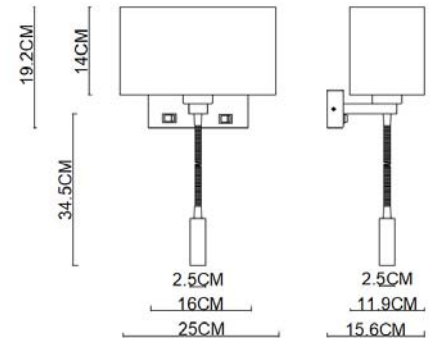
Specification Sheet

Picture:



Product size:

Name: ----- Barton Knuckle Joint
+ Tetragonal Wall Lamp
Code: ----- 1738
Finish: ----- Polished+Chrome
Main Material: --- Stainless steel +
Steel + Aluminium
Shade Material: -- Fabric+PVC



Lamp Source: E27+LED

Wattage: 1x40W / 1x9W + 1x1W

Input Voltage: 220~240 V

Lumen: E27(40W) 340lm + LED 1W 114lm

Switch: Rocker Switch

Energy Efficiency Class: Class 1

Plug: Na

Specification:



IP20

Inner Box:

Gross Weight: KGS

300*200*300(mm) 1pc

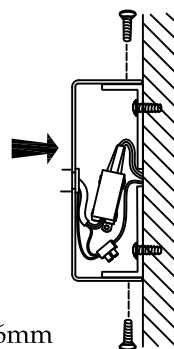
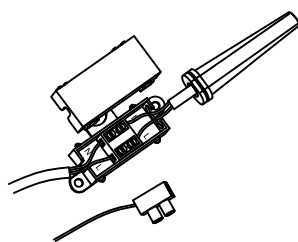
Net Weight: KGS

Outer Carton:

620*420*630(mm) 8pcs

Cable Length / Terminal Block:

Installation Instruction:



size:160*60*H=26mm

