

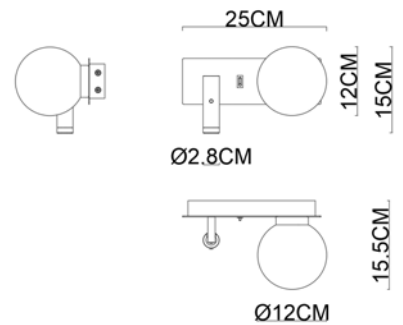
Specification Sheet

Picture:



Product size:

Name: ----- Pearl
Code: ----- 1882
Finish: ----- Polished
Main Material: ---- Stainless steel
Shade Material: -- Opal Glass



Lamp Source: LED

Wattage: 1x6W+1x3

Input Voltage: 220~240 V 50Hz/60Hz

Lumen: 460lm+180lm

Switch: Na

CRI: 80

Plug: Na

Color Temperature: 3000K

Energy Efficiency Class: A⁺⁺ A⁺ A

Specification:



Inner Box:

300*160*260(mm) 1pc

Gross Weight: KGS

Net Weight: 1 KGS

Outer Carton:

620*340x550(mm) 12pcs

Cable Length / Terminal Block:

Installation Instruction:

