

# REDUCER & FAN

COOLING TOWER REDUCER AND FAN



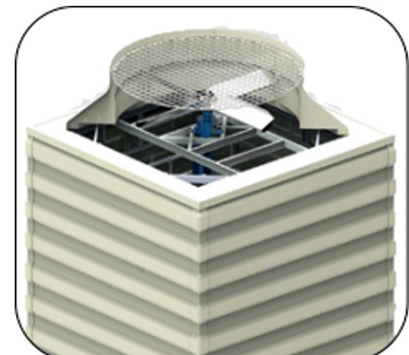
**NEWWIN**  
MACHINE EXPERT

®  
深圳市钮盈机械有限公司  
Shenzhen Newin Machinery Co., Ltd.

## SHENZHEN NEWIN MACHINERY CO., LTD

Relying on Singapore's advanced technology, NEWIN commits to providing excellent cooling technical support and services to customers worldwide more than ten years. To better implement the latest cooling and energy-saving design concepts, and grows together with the booming Chinese market, the sales and marketing center Shenzhen Newin Machinery was set up in 2012, to provide reliable and stable high-quality cooling equipments to customers around the world. Newin China factory was set up in 2016, located in Dongguan city, Guangdong. NEWIN one-stop supply cooling tower in 2021, transfer full series of cooling towers designed in Singapore to the Dongguan factory for production.

Newin is a certified enterprise of QS (quality system), ISO9001: 2016 and environmental system ISO14001:2016. Newin cooling towers keep a stable growth in the market of Southeast Asia, Middle East, South America, Africa area,etc. Based on our strongly development and comprehensive management, with great after-sales service, Newin products are well-known for the customers worldwide.



### COOLING TOWER REDUCER AND ALUMINUM ALLOY FAN

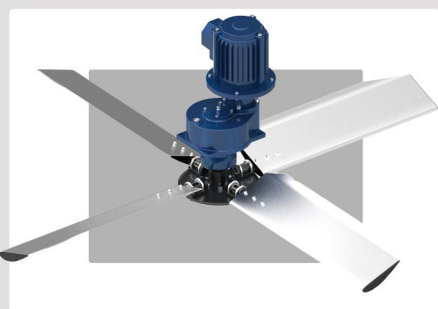
At present, the main transmission methods for mechanical draft cooling tower are multi-polar direct drive motor, belt type reduction drive, gear reducer drive, hydraulic turbine drive etc.

Our cooling tower reducers include NDQ series, NYQ series and NCJ series ultra-low noise reducer. Cooling tower fan is NJF series. Each series has more than 30 different specifications.

We constantly improve product quality, do our best to meet the special requirement of cooling tower for reducers and fans, supply great quality and best service for customers worldwide.



**NYQ**  
series reducer



page 03 - 04



**NDQ**  
series reducer



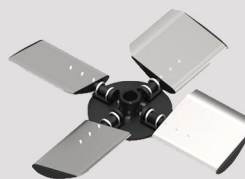
page 05 - 06



**NCJ**  
series reducer



page 07 - 08



**NJF**  
series cooling tower fan



page 09 - 10

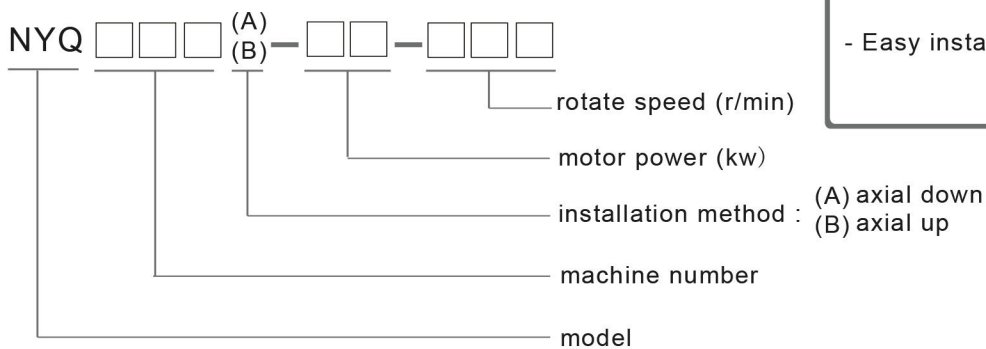
NYQ 132

NYQ 160

The speed reducer is a direct-connected planetary gear reducer, adopts a hard tooth surface technology to enhance the gear strength.

The structure is compact, light weight and high torque.

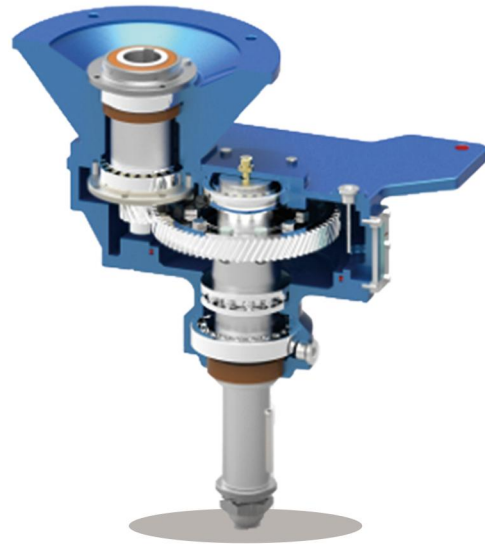
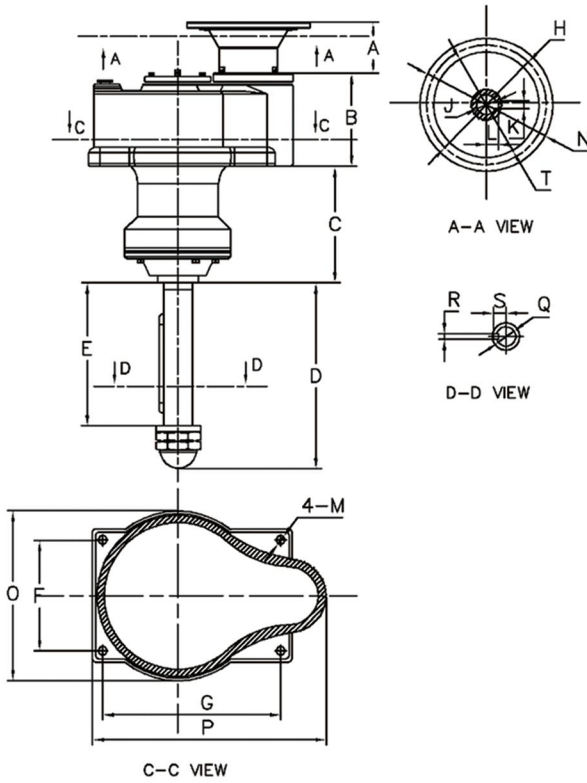
Model Description



- Reliable operation and running costs.
- Low noise and high efficiency.
- Easy installation and maintenance.

Model	Motor Specification	Noise Value (JM Distance )	Motor Weight (KG )	Gear Box Weight ( KG )	Reducer Weight ( KG )
NYQ 132-4-210	V1 4kw-6(132M1)	60	64	84	148
NYQ 132-4-250	V1 4kw-6(132M2)	61	64	84	148
NYQ 132-4-330	V1 4kw-4(112M)(+)	62	46	84	130
NYQ 132-4-370	V1 4kw-4(112M)(+)	63	46	84	130
NYQ 132-5.5-210	V1 5.5kw-6(132M2)	60	75	84	159
NYQ 132-5.5-250	V1 5.5kw-6(132M2)	61	75	84	159
NYQ 132-5.5-330	V1 5.5kw-4(132S1)	62	59	84	143
NYQ 132-5.5-370	V1 5.5kw-4(132S1)	63	59	84	143
NYQ 132-7.5-330	V1 7.5kw-4(132M)	62	72.5	84	156.5
NYQ 132-7.5-370	V1 7.5kw-4(132M)	63	72.5	84	156.5
NYQ 160-11-210	V1 11kw-6(160L)	61	107	128	235
NYQ 160-11-320	V1 11kw-4(160L)	63	107	128	235
NYQ 160-15-210	V1 15kw-6(180L)	61	190	128	318
NYQ 160-15-320	V1 15kw-4(160L)	62	144	128	272
NYQ 160-18.5-320	V1 18.5kw-4(180M)	63	153	128	281
NYQ 160-22-320	V1 22kw-4(180L)	63	170	128	298

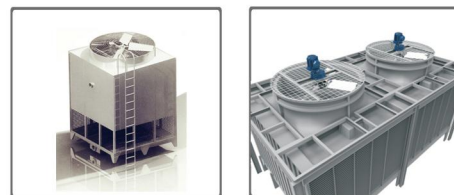
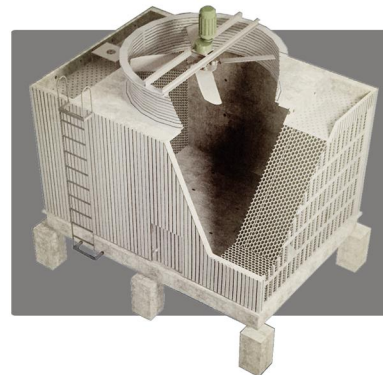
## Installation



## Application

Power 4-22kw civil low noise cooling tower and air cooler

Size \ Model	NYQ132	NYQ160
A	105	130
B	143	166
C	138	150
D	152	205
E	116	140
F	200	240
G	272	328
H	265	300
I	M14	M16
J	Ø28/Ø38	Ø42/Ø48
K	8/10	12/14
L	17.3/22.3	24.3/27.8
M	16	16
N	Ø300	Ø350
O	290	340
P	345	408
Q	Ø55	Ø60
R	16	18
S	31.8	34.4
T	Ø230	Ø250

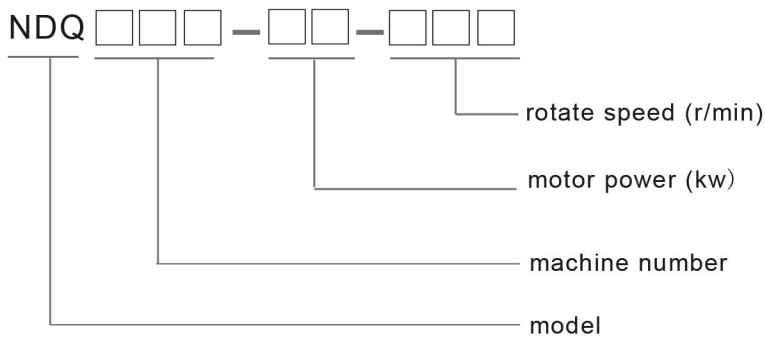


NDQ 132 NDQ 160 NDQ 200 NDQ 225

The speed reducer is a direct-connected planetary gear reducer, adopts a hard tooth surface technology.

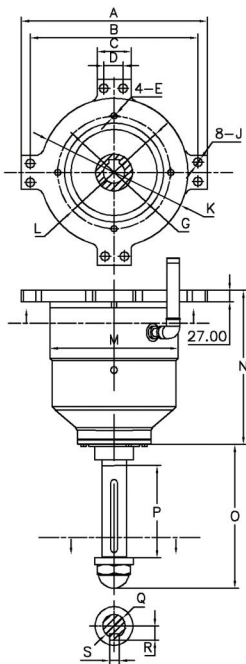
The structure is compact, light weight and high torque.

Model Description



- Compact structure, strong overload capacity.
- Light weight and small size.
- Easy installation and maintenance.

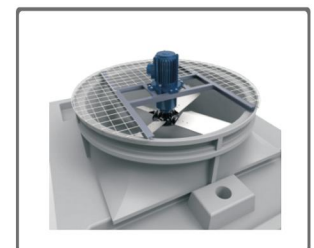
Installation



Model Size	NDQ132	NDQ160	NDQ200	NDQ225
A	380	430	490	540
B	340	390	450	500
C	100	100	130	130
D	60	60	80	80
E	14	16	16	16
F	8/10	12/14	14/16	18
G	230	250	340	350
H	17.3/22.3	24.3/27.8	27.8/31.8	34.4
I	28/38	42/48	48/55	60
J	19	19	19	19
K	300	350	400	450
L	265	300	365	400
M	235	272	365	371
N	300	358	405	460
O	209	211	229	249
P	115(1:10)	115(1:10)	115(1:10)	135(1:10)
Q	55	60	70	80
R	31.8	34.4	39.9	45.4
S	16	18	20	22

Application

Power 4-45KW, 100T-1000T  
Small and Medium Industrial  
Cooling Towers and Air Coolers.



Model	Motor Specification	Noise Value (JM Distance )	Motor Weight (KG )	Gear Box Weight ( KG )	Reducer Weight ( KG )
NDQ 132-4-165	V1 4kw-6(132M1)	67	64	55	119
NDQ 132-4-210	V1 4kw-4(112M)(+)	68	46	55	101
NDQ 132-4-250	V1 4kw-4(112M)(+)	68	46	55	101
NDQ 132-4-320	V1 4kw-4(112M)(+)	68	46	55	101
NDQ 132-5.5-165	V1 5.5kw-6(132M2)	67	75	55	130
NDQ 132-5.5-210	V1 5.5kw-4(132S1)	68	59	55	114
NDQ 132-5.5-250	V1 5.5kw-4(132S1)	68	59	55	114
NDQ 132-5.5-320	V1 5.5kw-4(132S1)	68	59	55	114
NDQ 132-7.5-210	V1 7.5kw-4(132M)	68	72.5	55	127.5
NDQ 132-7.5-250	V1 7.5kw-4(132M)	68	72.5	55	127.5
NDQ 132-7.5-320	V1 7.5kw-4(132M)	68	81	55	136
NDQ 160-11-165	V1 11kw-6(160L)	68	147	83	230
NDQ 160-11-210	V1 11kw-4(160M)	70	107	83	190
NDQ 160-11-250	V1 11kw-4(160M)	70	107	83	190
NDQ 160-11-320	V1 11kw-4(160M)	70	107	83	190
NDQ 160-15-165	V1 15kw-6(180L)	70	190	83	273
NDQ 160-15-210	V1 15kw-4(160L)	70	144	83	227
NDQ 160-15-250	V1 15kw-4(160L)	70	144	83	227
NDQ 160-18.5-210	V1 18.5kw-4(180M)	70	153	83	236
NDQ 160-18.5-250	V1 18.5kw-4(180M)	70	153	83	236
NDQ 160-22-210	V1 22kw-4(180L)	70	170	83	253
NDQ 160-22-250	V1 22kw-4(180L)	68	170	83	253
NDQ 200-15-125	V1 15kw-6(180L)	73	144	148	292
NDQ 200-18.5-165	V1 18.5kw-4(180M)	73	153	148	301
NDQ 200-18.5-210	V1 18.5kw-4(180M)	73	153	148	301
NDQ 200-22-165	V1 22kw-4(180L)	73	170	148	318
NDQ 200-22-210	V1 22kw-4(180L)	73	170	148	318
NDQ 200-22-250	V1 22kw-4(180L)	73	170	148	318
NDQ 200-30-165	V1 30kw-4(200L)	73	228	148	376
NDQ 200-30-210	V1 30kw-4(200L)	73	228	148	376
NDQ 225-37-165	V1 37kw-4(225S)	73	270	148	418
NDQ 225-37-210	V1 37kw-4(225S)	73	270	148	418
NDQ 225-45-165	V1 45kw-4(225M)	73	280	215	495
NDQ 225-45-210	V1 45kw-4(225M)	73	280	215	495

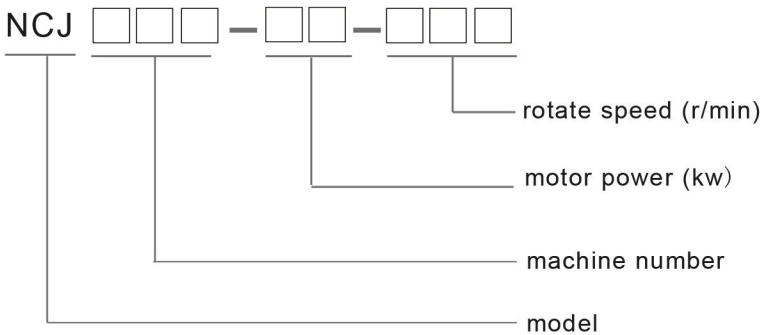
NCJ 132 NCJ 180 NCJ 225 NCJ 280 NCJ 315

This product adopts spiral bevel gear transmission. Through flange cooperation, the motor center and the gear box gear center are exactly the same. The motor directly drives the reducer drive gear without the transmission shaft to transmit the torque. The motor adopts the protection class IP55 and insulation class F for the cooling tower. Products structure is compact.

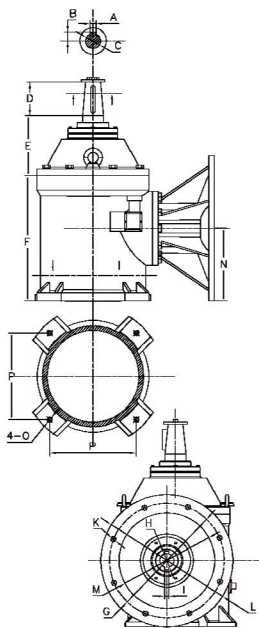


- Radically solved the problem of drive shaft failure.
- do not have to proofread the drive shaft, the installation is very convenient.
- Reduce energy consumption by 5%-10% and reduce vibration by 50%.

**Model Description**



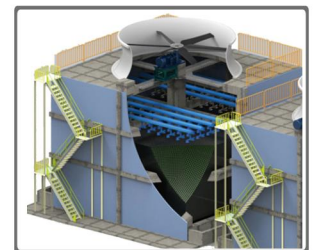
**Installation**



Model Size	NCJ132	NCJ180	NCJ225	NCJ280	NCJ315
A	16	18	20	24	32
B	31.8	34.4	39.9	50.4	67.4
C	55	60	70	90	120
D	115(1:10)	115(1:10)	115(1:10)	115(1:20)	154(1:20)
E	91	126	205	223	245
F	320	360	400	516	560
G	265	300	400	500	600
H	ø28/ø38	ø42/ø48	ø55/ø60	ø65/ø75	ø80
I	8/10	12/14	16/18	18/20	22
J	17.3/22.3	24.3/27.8	31.8/34.4	36.9/42.4	45.4
K	14	16	18	18	20
L	300	350	450	550	660
M	230	250	350	450	550
O	16	19	19	22	22
P	220	270	290	349	403

**Application**

Power 4-45kw-110kw, 1000t-3500t industrial tower and large air cooler.





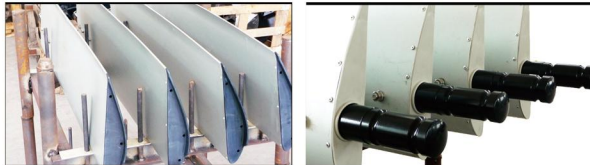
Model	Motor Specification	Noise Value (JM Distance )	Motor Weight (KG )	Gear Box Weight ( KG )	Reducer Weight ( KG )
NCJ 132-4-180	V1 4KW-6(132M1)	67	64	92	156
NCJ 132-4-210	V1 4KW-6(132M1)	67	64	92	156
NCJ 132-4-270	V1 4KW-4(112M) (+)	67	46	92	138
NCJ 132-4-320	V1 4KW-4(112M) (+)	68	46	92	138
NCJ 132-5.5-180	V1 5.5KW-6(132M2)	67	75	92	167
NCJ 132-5.5-210	V1 5.5KW-6(132M2)	67	75	92	167
NCJ 132-5.5-270	V1 5.5KW-4(132S1)	68	59	92	151
NCJ 132-5.5-320	V1 5.5KW-4(132S1)	68	59	92	151
NCJ 132-7.5-270	V1 7.5KW-4(132M)	68	72.5	92	164.5
NCJ 132-7.5-320	V1 7.5KW-4(132M)	68	72.5	92	164.5
NCJ 180-11-165	V1 11KW-6(160L)	67	107	133	240
NCJ 180-11-210	V1 11KW-4(160M)	70	107	133	240
NCJ 180-11-250	V1 11KW-4(160M)	70	107	133	240
NCJ 180-15-165	B35 15KW-6(180L)	67	130	133	263
NCJ 180-15-210	V1 15KW-4(160L)	70	130	133	263
NCJ 180-15-250	V1 15KW-4(160L)	70	130	133	263
NCJ180-18.5-250	B35 18.5KW-4(180M)	70	153	133	286
NCJ180-18.5-210	B35 18.5KW-4(180M)	70	153	133	286
NCJ180-22-210	B35 22KW-4(180L)	70	190/223	133	323/356
NCJ180-22-250	B35 22KW-4(180L)	70	170	133	303
NCJ225-18.5-200	B35 18.5KW-6(200L1)	71	204	218	422
NCJ225-22-160	B35 18.5KW-6(200L1)	71	250	218	468
NCJ225-22-200	B35 22KW-6(200L2)	71	250	218	468
NCJ225-30-160	B35 30KW-6(225M)	71	305	218	523
NCJ225-30-200	B35 30KW-6(225M)	71	305	218	523
NCJ225-30-240	B35 30KW-6(200L)	71	305	218	518
NCJ225-37-160	B35 37KW-6(225L2)#	71	278	218	496
NCJ225-37-200	B35 37KW-6(225L2)#	71	278	218	496
NCJ225-37-240	B35 37KW-4(225S)	73	278	235	513
NCJ225-45-240	B35 45KW-4(225M)	73	511	218	729
NCJ250-37-160	B35 37KW-6(250M)	75	355	389	744
NCJ280-45-160	B35 45KW-6(280S)	75	312	405	717
NCJ280-55-160	B35 55KW-6(280M)	77	582	405	987
NCJ315-75-155	B35 75KW-6(315S)	77	1100	643	1743
NCJ315-90-155	B35 90KW-6(315M)	77	870	643	1513
NCJ315-110-155	B35 110KW-6(315L1)	77	936	643	1579



- Easy installation and adjustable blade angle.
- High precision, low noise and high efficiency.
- Beautiful and concise, good corrosion resistance.



\* hub : adopts the composite structure and made of high quality steel plate to ensure the parts quality and balance.

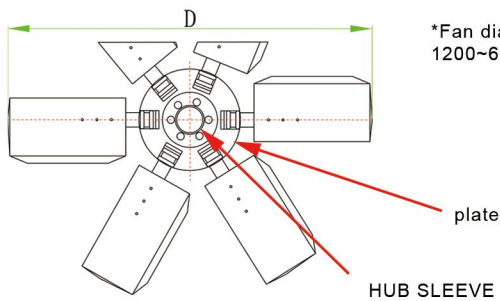
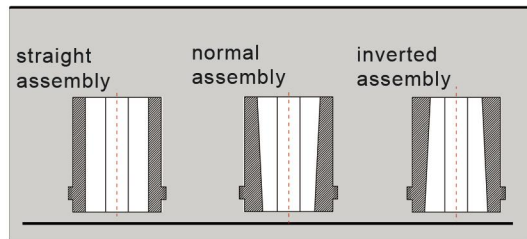
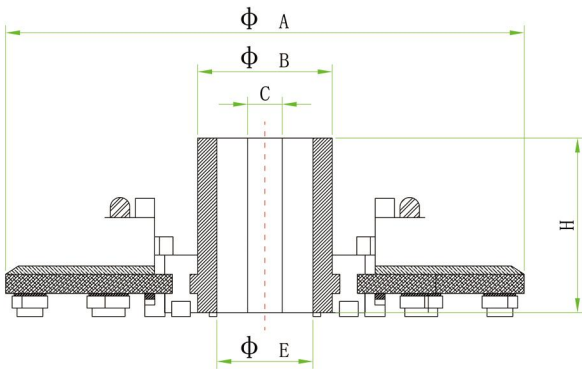


\* fan blade : wing shape design, made of aluminum alloy.



\*U-bolt connection is used to connect the hub and the blade, which is convenient to adjust the Angle of the fan to obtain different air volume to achieve the ideal working condition.

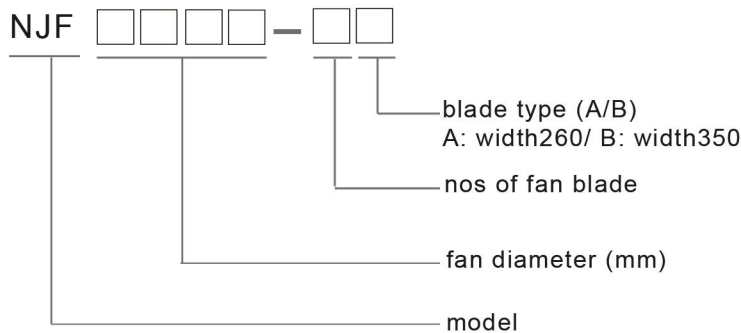
**Installation**



\*Fan diameter(D) range: 1200~6000MM

Fan (D) diameter / Size	≥1200 -- <2400	≥2400 -- <3000	≥3000 -- <6000	Remark
A	320	350	500	special specification is customizable
B	95	95	120	
C	10-18		16-25	
H	120	120	120	
E	38	50	60-90	

## Model Description



Model	Fan diameter (mm)	Nos of blade	Blade type	Rate speed (r/min)	Air flow (m <sup>3</sup> /h)	Total pressure (Pa)	Matching reducer model	Power (kw)	Double fan diameter noise test value dB
NJF1500-4A	1500	4	A	370	59700	120	NYQ 132-4-370	4	68
NJF1500-4B	1500	4	B	330	57300	130	NYQ 132-4-330	4	65
NJF1500-6B	1500	6	B	250	61200	132.2	NYQ 132-4-250	4	60
NJF1800-4A	1800	4	A	370	81000	139	NYQ 132-4-370	5.5	70
NJF1800-4A	1800	4	A	330	85800	125	NYQ 132-5.5-330	5.5	66
NJF1800-6A	1800	6	A	250	81000	139	NYQ 132-5.5-250	5.5	60
NJF2000-4A	2000	4	A	370	92400	130	NYQ 132-5.5-370	7.5	70
NJF2000-4A	2000	4	A	330	102000	126	NYQ 132-4-330	7.5	66
NJF2000-6B	2000	6	B	250	101400	120	NYQ 160-7.5-250	7.5	61
NJF2100-4A	2100	4	A	370	101400	150.4	NYQ 132-7.5-370	7.5	71
NJF2100-4A	2100	4	A	350	91200	120.1	NYQ 132-5.5-350	5.5	66
NJF2100-6A	2100	6	A	250	91200	120.1	NYQ 132-5.5-250	5.5	61
NJF2400-6B	2400	6	B	330	170000	210	NYQ 160-11-210	11	70
NJF3000-4A	3000	4	A	320	260000	171	NYQ 160-18.5-320	18.5	73
NJF3000-4A	3000	4	A	250	221760	179	NYQ 160-15-250	15	70
NJF3000-6A	3000	6	A	210	202248	147	NYQ 160-11-210	11	65
NJF3500-4B	3500	4	B	320	280000	130	NYQ 160-22-320	22	75
NJF3500-6B	3500	6	B	210	260000	130	NYQ 160-15-210	15	65
NJF3600-4B	3600	4	B	320	320000	170	NYQ 160-22-320	22	76
NJF3600-6B	3600	6	B	210	350000	210	NDQ 160-22-210	22	65
NJF4267-4B	4267	4	B	250	425000	130	NDQ 160-22-250	22	73
NJF4267-6B	4267	6	B	210	450000	215	NDQ 225-37-210	37	66
NJF4500-4B	4500	4	B	210	550000	171	NDQ 225-37-210	37	75
NJF4500-6B	4500	6	B	165	560000	210	NDQ 225-37-165	37	73
NJF5000-6B	5000	6	B	165	550000	120	NDQ 225-30-165	30	75
NJF5000-4B	5000	4	B	160	500000	120	NDQ 225-22-165	22	68
NJF6000-4B	6000	4	B	165	600000	120	NDQ 225-30-165	30	75
NJF6000-6B	6000	6	B	165	650000	120	NDQ 225-37-165	37	76

Thank you for choosing NEWIN cooling tower reducer and fan.  
For more information or assistance, contact us  
through following contact information please.

**NEWIN**<sup>®</sup> MACHINE EXPERT **Shenzhen Newin Machinery Co., Ltd.**

---

**Office address:** Trade Plaza No.5, China South City, Pinghu,  
Longgang District, Shenzhen, China.

**Factory address:** Building 1&2, No.8, Liantangjiao 2nd Rd, Tangxia Town,  
Dongguan, China.

**Service hotline:** +86 755 23077266

**Email:** [sales@newinmachine.com](mailto:sales@newinmachine.com)

**Website:** [www.newincoolingtower.com](http://www.newincoolingtower.com)



Your local contact