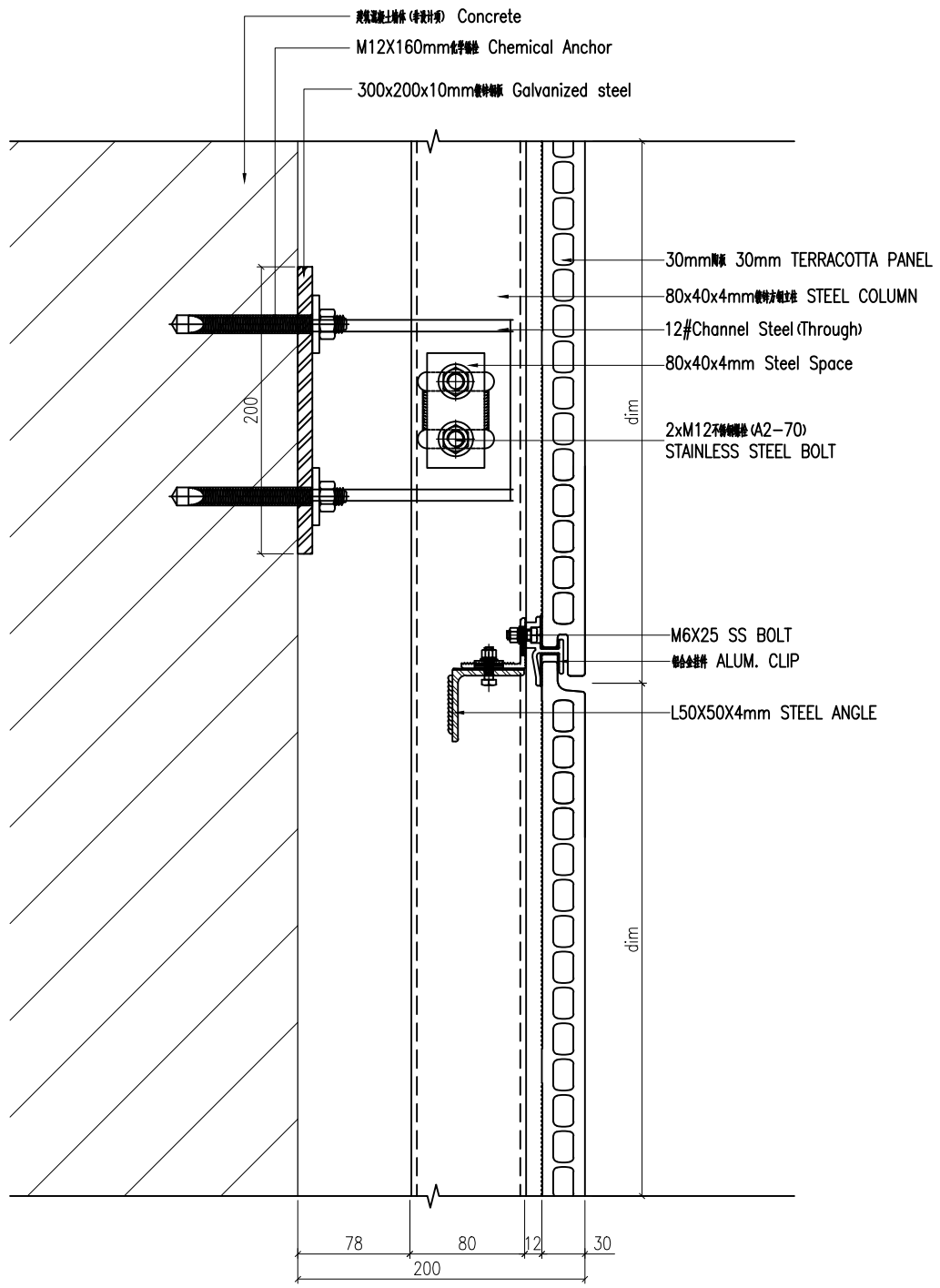


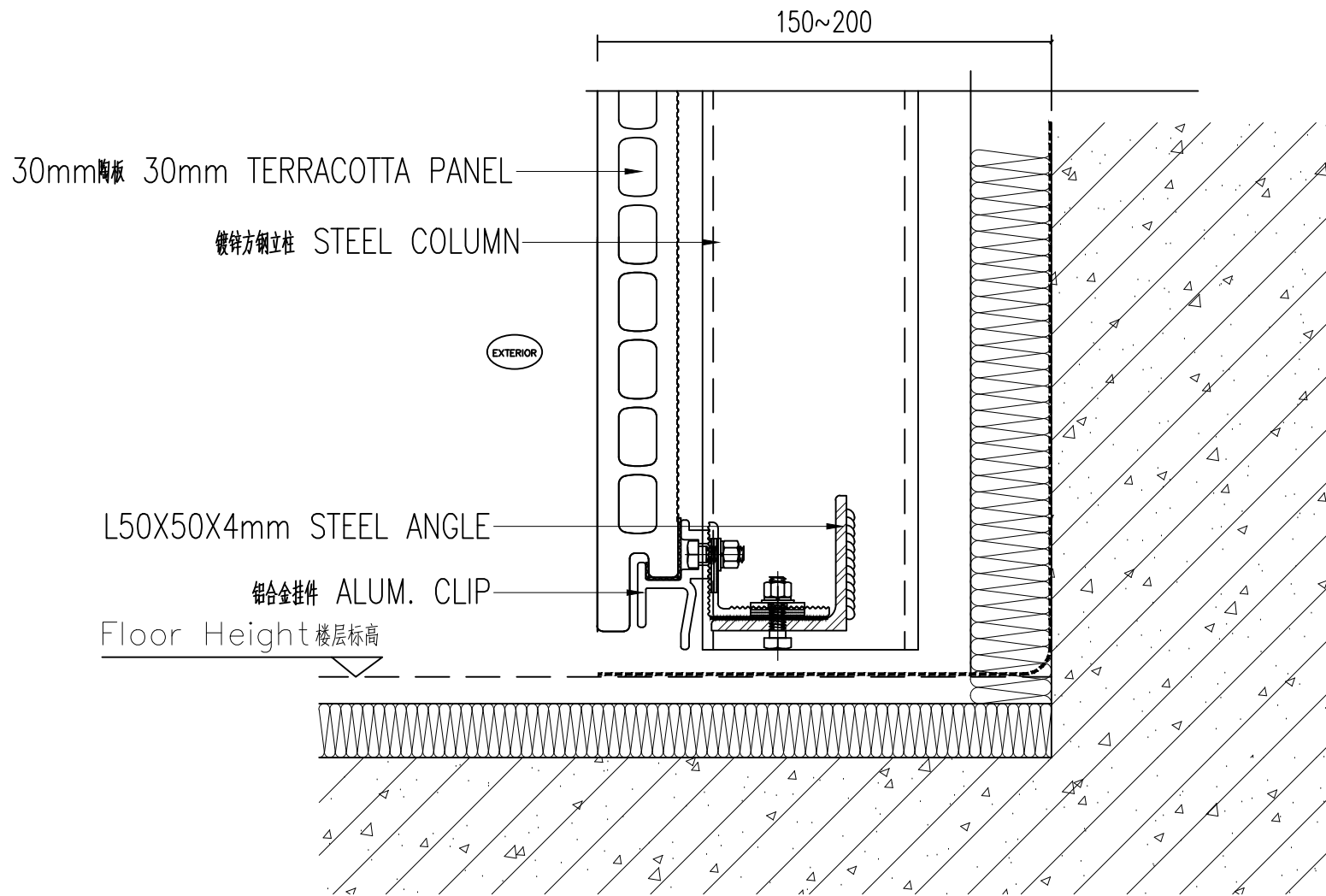
HORIZONTAL JOINT DRAWING

设计 DESIGNED BY	审核 REVISIONS	图号 DRAWING NO.	JD-01	工程名称 PROJECT	
校对 CHECKED BY	日期 DATE	2019.07.23	比例 SCALE	1:3	图名 DRAWING TITLE
					HORIZONTAL JOINT DRAWING

DESIGNED BY 设计	REVISIONS 日期	DRAWING NO. 图号	PROJECT 工程名称
DATE 2019.07.23	SCALE 比例	JD-02	VERTICAL JOINT DRAWING
			

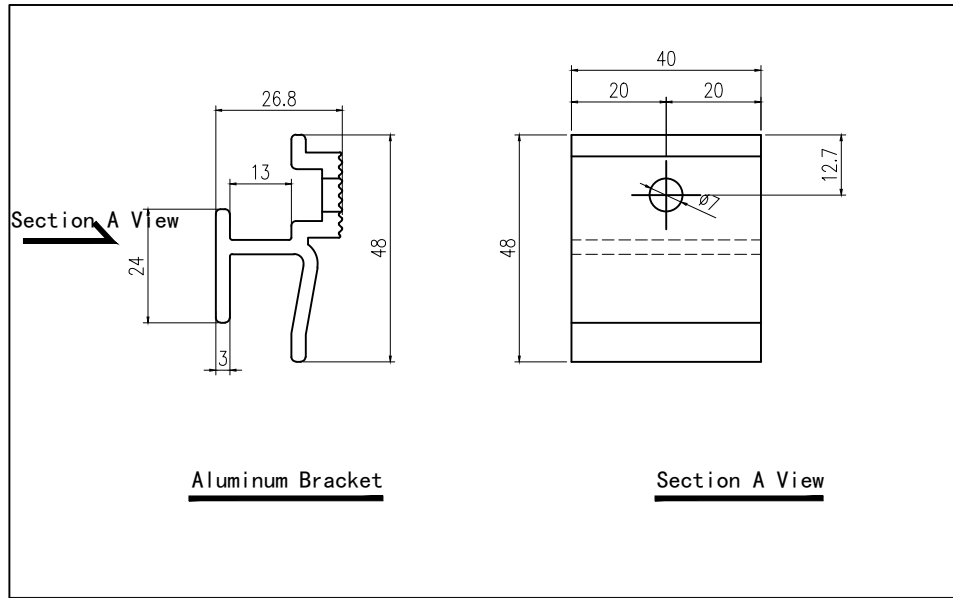


VERTICAL JOINT DRAWING



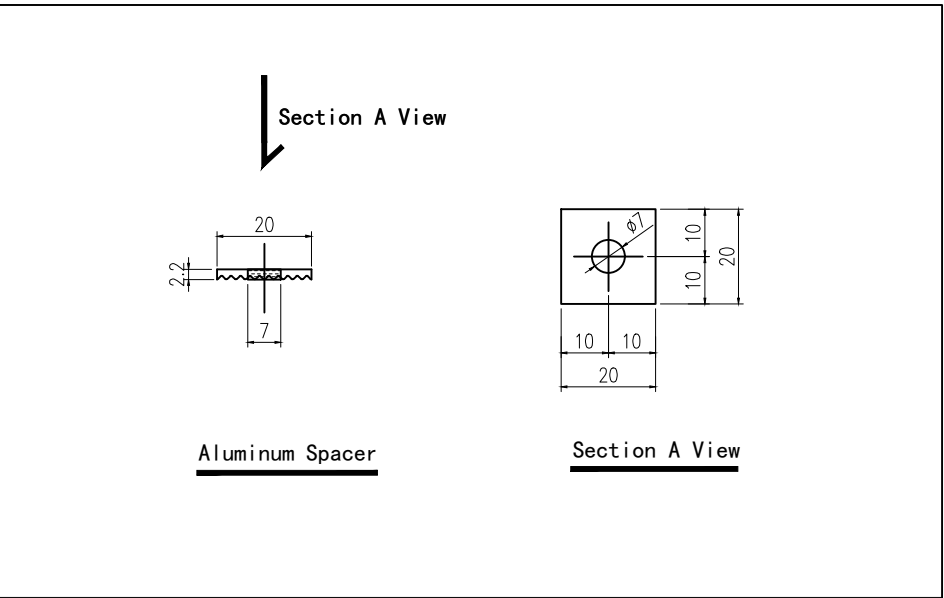
Detailed drawing of Terracotta Facade curtain wall(building) connecting to the ground 陶板幕墙接(楼)地面节点图

设计 DESIGNED BY	审核 REVISIONS	图号 DRAWING NO.	JD-11	工程名称 PROJECT	
校对 CHECKED BY	日期 DATE	2019.07.23	比例 SCALE	1:3	图名 DRAWING TITLE
					HORIZONTAL JOINT DRAWING



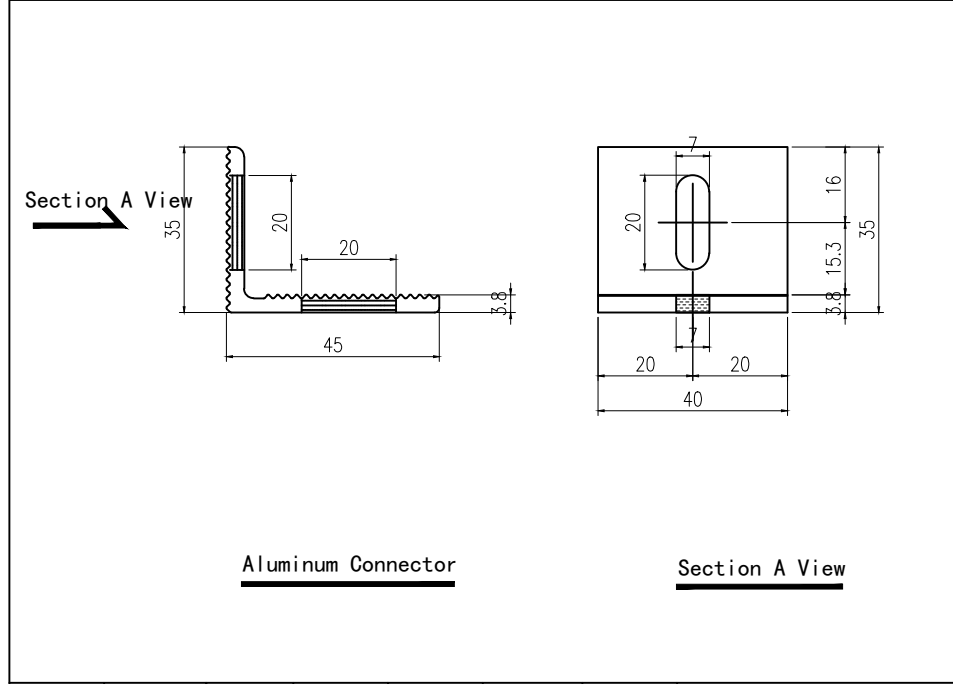
Aluminum Bracket

Section A View



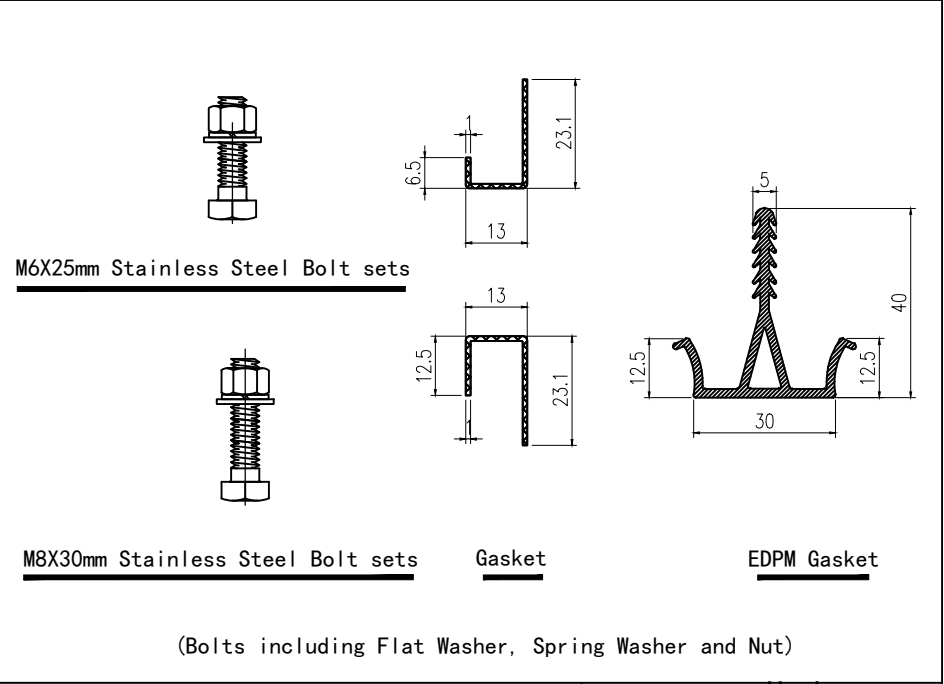
Aluminum Spacer

Section A View



Aluminum Connector

Section A View



M6X25mm Stainless Steel Bolt sets

M8X30mm Stainless Steel Bolt sets

Gasket

EDPM Gasket

(Bolts including Flat Washer, Spring Washer and Nut)

设计 DESIGNED BY	审核 REVISIONS	图号 DRAWING NO.	TBPJ-01	工程名称 PROJECT	
校对 CHECKED BY	日期 DATE	2019.07.23	比例 SCALE	1:1	图名 DRAWING TITLE

陶板配件加工图

