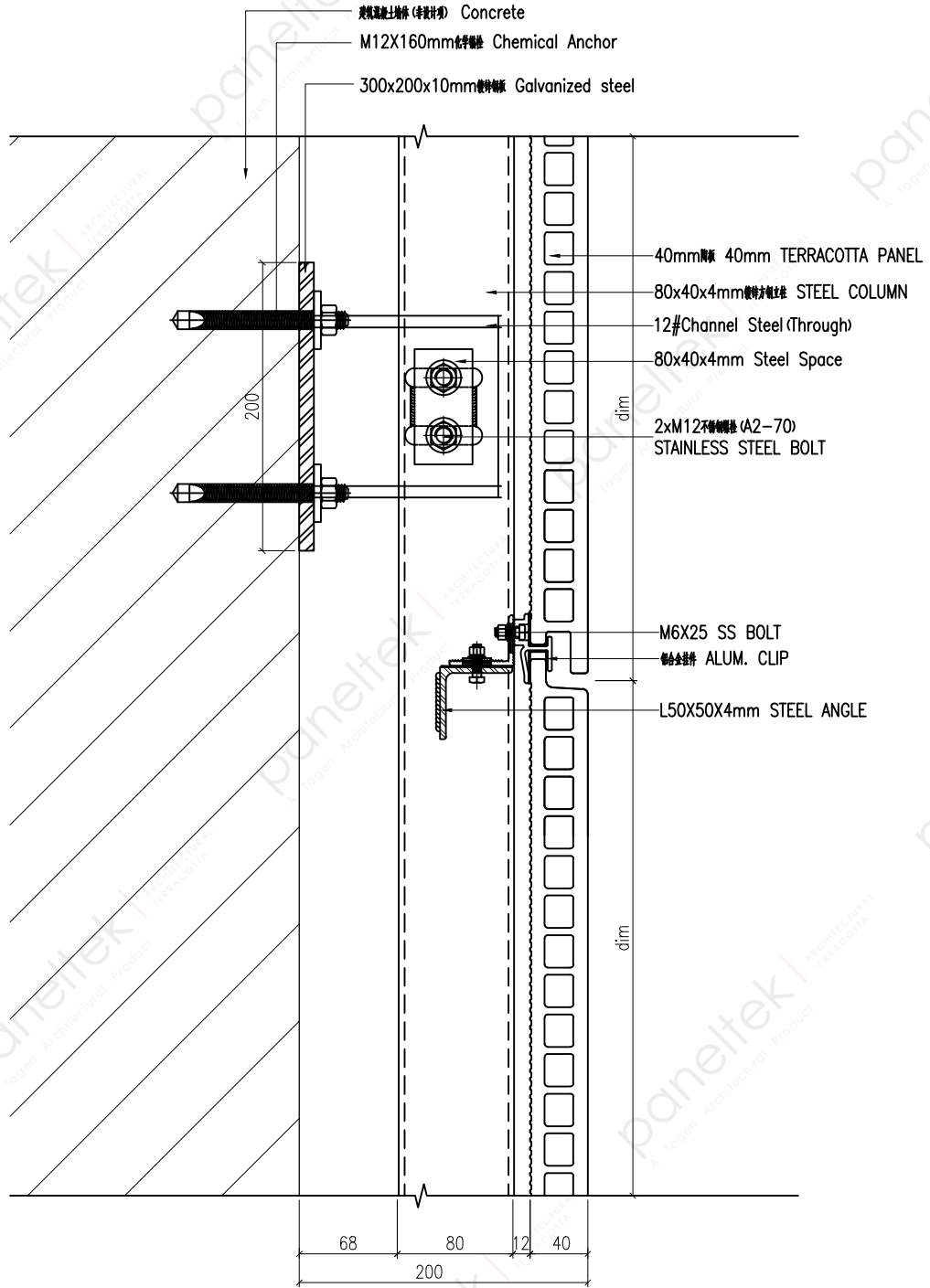


HORIZONTAL JOINT DRAWING

设计 DESIGNED BY	审核 REVISIONS	图号 DRAWING NO.	JD-01	工程名称 PROJECT	
校对 CHECKED BY	日期 DATE	2019.07.23	比例 SCALE	1:3	图名 DRAWING TITLE
					HORIZONTAL JOINT DRAWING

DESIGNED BY 设计	REVISIONS 日期	DRAWING NO. 图号	PROJECT 工程名称
CHECKED BY 校核	DATE 2019.07.23	SCALE 1:3	DRAWING TITLE VERTICAL JOINT DRAWING



VERTICAL JOINT DRAWING

30mm陶板 30mm TERRACOTTA PANEL

镀锌方钢立柱 STEEL COLUMN

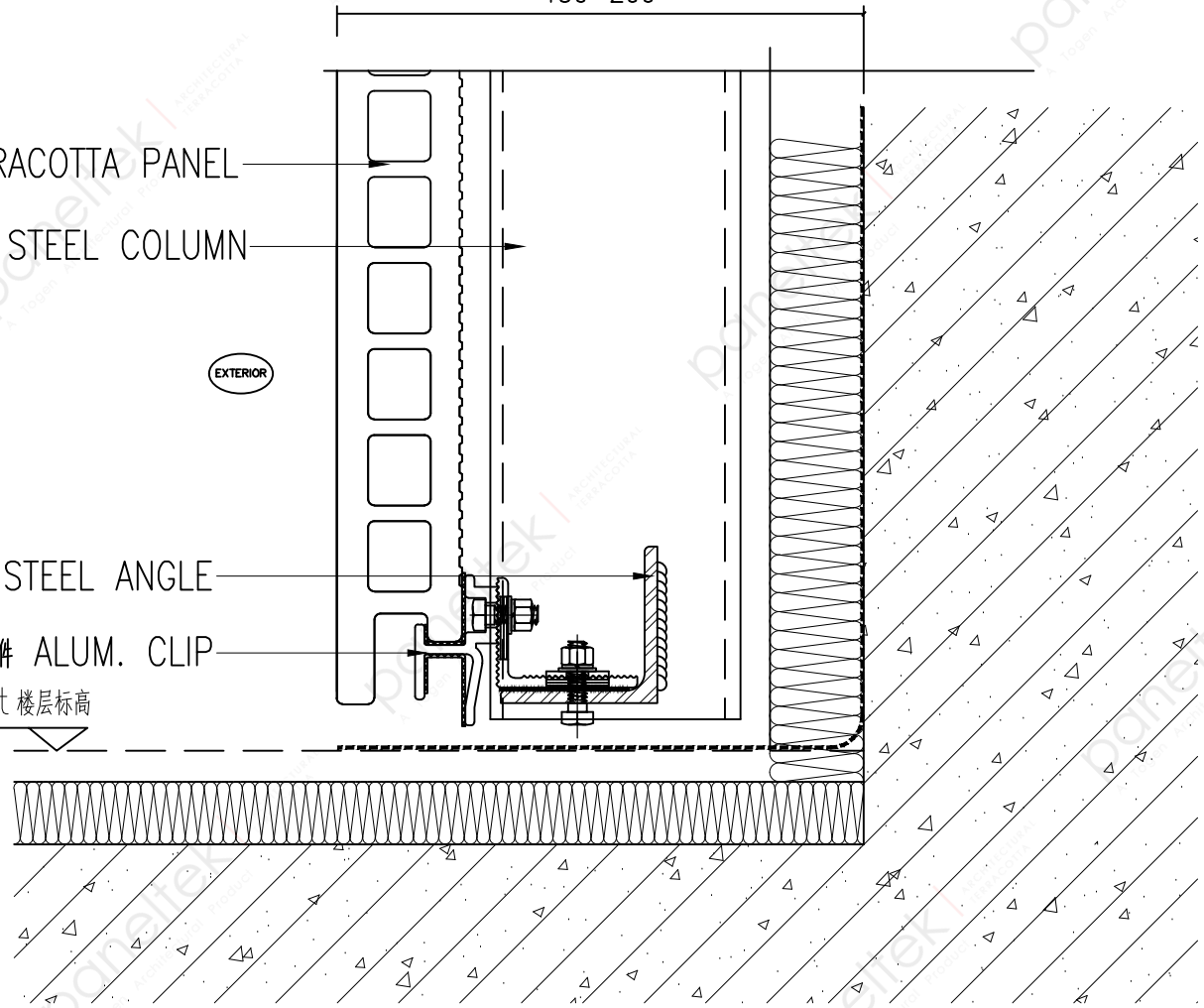
EXTERIOR

L50X50X4mm STEEL ANGLE

铝合金挂件 ALUM. CLIP

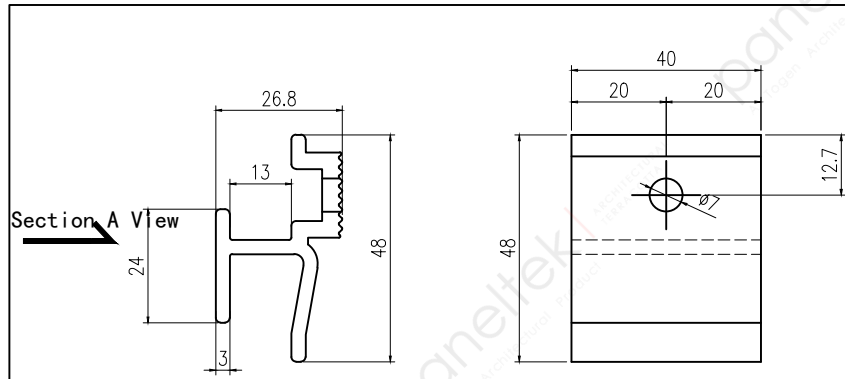
Floor Height 楼层标高

150~200

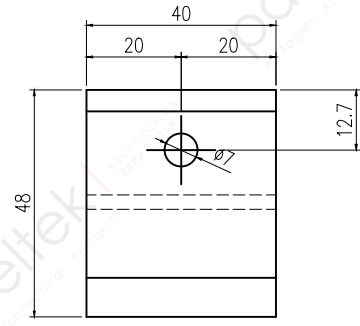


Detailed drawing of Terracotta Facade curtain wall(building) connecting to the ground 陶板幕墙接(楼)地面节点图

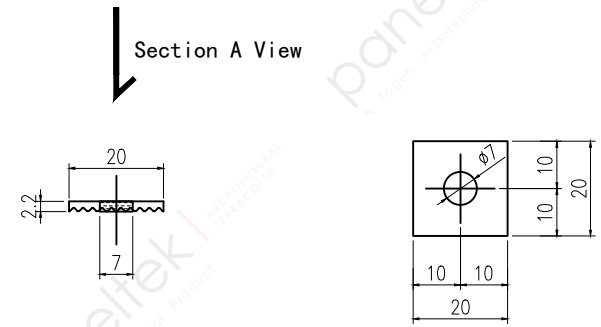
设计 DESIGNED BY	审核 REVISIONS	图号 DRAWING NO.	JD-11	工程名称 PROJECT	
校对 CHECKED BY	日期 DATE	比例 SCALE	1:3	图名 DRAWING TITLE	HORIZONTAL JOINT DRAWING



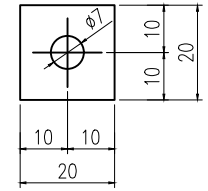
Aluminum Bracket



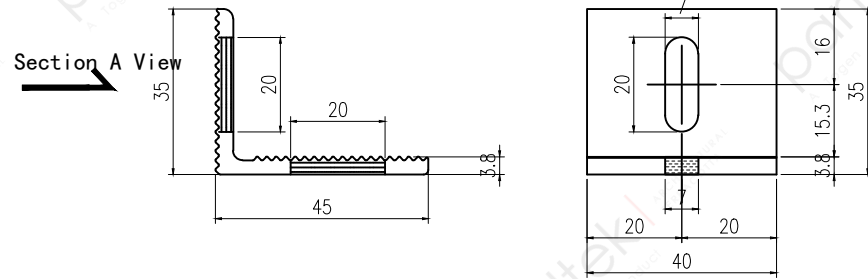
Section A View



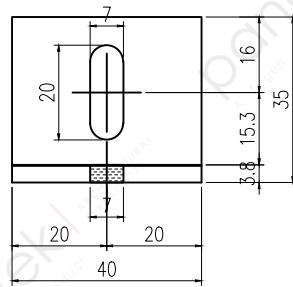
Aluminum Spacer



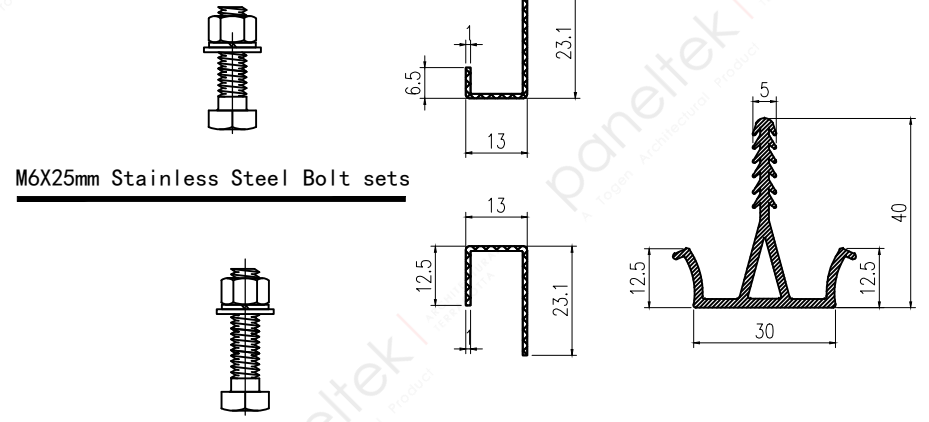
Section A View



Aluminum Connector



Section A View



M6X25mm Stainless Steel Bolt sets

M8X30mm Stainless Steel Bolt sets

Gasket

EDPM Gasket

(Bolts including Flat Washer, Spring Washer and Nut)

设计 DESIGNED BY	审核 REVISIONS	图号 DRAWING NO.	TBPJ-01	工程名称 PROJECT	
校对 CHECKED BY	日期 DATE	比例 SCALE	1:1	图名 DRAWING TITLE	陶板配件加工图
	2019.07.23				