

Characteristic: 1. Direct lifting diaphragm construction with high frequency

- 2. Open from 0 bar with large flow rate
- 3. Applied to low pressure system

Medium: Steam and Hot Water, Civil gas, Oil, etc.

Temperature: N-NBR: -5°C to 80°C

E-EPDM : -5°C to 100°C

V-VITON: -5°C to 120°C

Pressure: 0.0Mpa~1.0Mpa

Port Size: 3/8", 1/2", 3/4", 1", 1 1/4", 1 1/2", 2"

Port Thread: BSPP, BSPT, NPT, FLANGE

Orifice(mm): 15, 20, 25, 32, 40, 50

Voltage: DC-12V, 24V

AC-24V, 120V, 240V/60Hz; 110V, 220V/50Hz

Tolerance: ±10%

Coils: S91B, 22VA(AC),17W(DC), IP65, 100%ED

S92B, 22VA(AC),17W(DC), IP65, 100%ED

SD01B, 28VA(AC),36W(DC), IP65, 100%ED

Material: Body- Brass or stainless steel UPVC

Seal- VITON PTFE NBR EPDM

Armature Tube- Stainless Steel304

Plunger- Stainless Steel 430F

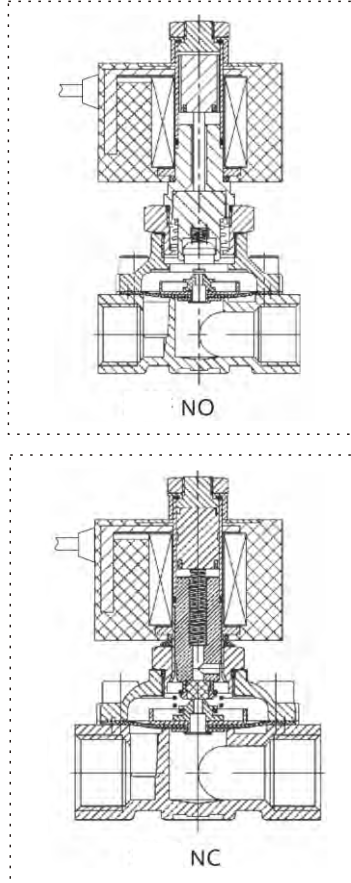
Stop- SS 403F

Springs-SS 304

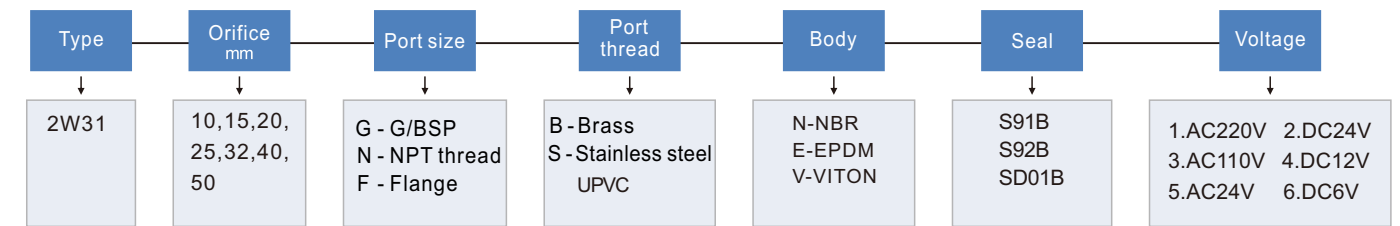
Shading Rings-Stainless Steel 304



Model	Picture	Voltage	Motor Power	Protection Class	Available For	Outline Size Drawing
S91B		1.AC220V 2.AC110V 3.AC24V 1.DC24V 2.DC12V 3.DC6V <i>The voltage can be customized</i>	22VA 17W	IP65	DN10 DN15 DN20 DN25	
S92B		1.AC220V 2.AC110V 3.AC24V 1.DC24V 2.DC12V 3.DC6V <i>The voltage can be customized</i>	22VA 17W	IP65	DN10 DN15 DN20 DN25	
SD01B		1.AC220V 2.AC110V 3.AC24V 1.DC24V 2.DC12V 3.DC6V <i>The voltage can be customized</i>	28VA 36W	IP65	DN32 DN40 DN50	



Determine Valve Body Code



EXMAPLE:HK08 25 GBN S21H2, HK08 SERIES, NC, 25MM ORIFICE, 1"G, STAINLESS BODY, PET SEAL, COIL S21H, AC220V, DIN

Technical Parameters

Size	Port Size	Orifice mm	Cv	Min Pressure	Max Pressure		Operating Temperature		
					AC(22VA)	DC(17W)	NBR	EPDM	VITON
2W31-10	3/8"	10	4.5	0.0MPa	0.7MPa	0.7MPa	-5°C~80°C	-5°C~100°C	-5°C~120°C
2W31-15	1/2"	15	4.5	0.0MPa	0.7MPa	0.7MPa			
2W31-20	3/4"	20	9.3	0.0MPa	0.7MPa	0.7MPa			
2W31-25	1"	25	12	0.0MPa	0.7MPa	0.7MPa			
					AC(28VA)	DC(36W)			
2W31-32	1-1/4"	32	24	0.0MPa	1.0MPa	1.0MPa			
2W31-40	1-1/2"	40	29	0.0MPa	1.0MPa	1.0MPa			
2W31-50	2"	50	48	0.0MPa	1.0MPa	1.0MPa			

