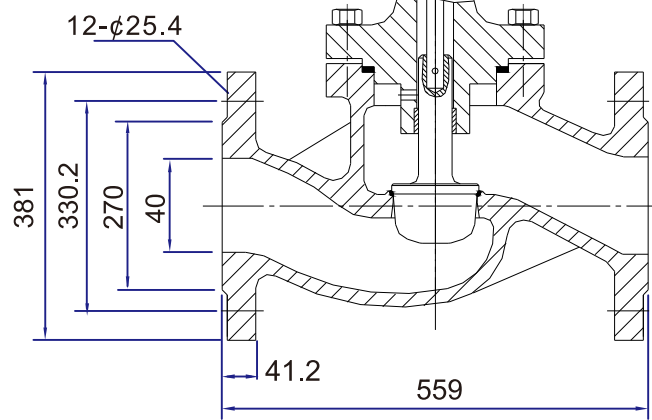
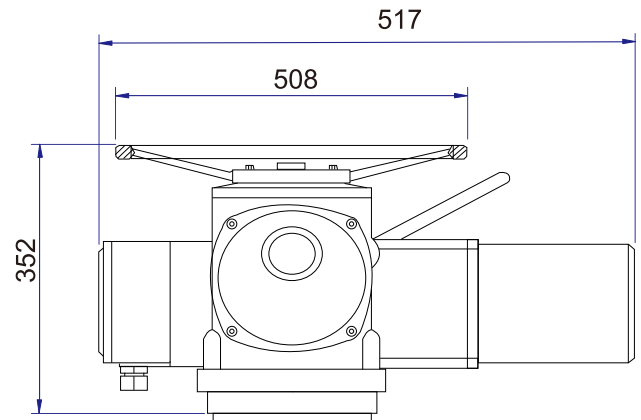


ZONE		REV	DESCRIPTION	DATE	APPROVED



Standard	
Basic design:	API – 6D
Face to face:	ANSI B16.10
Flange dimension:	ANSI B16.5
Inspection & testing:	598
Fire test:	API 6FA

Construction materials	
Body & bonnet :	Carbon steel (A216 GR WB)
Stem:	ASTM 182 F6A.ENP
Slab gate + seat:	ASTM A105.ENP
Stem packing:	PTEF
Seat Seal:	PTEF

Motor Actuator	220V AC 1Ph / 60Hz
Signal Construction	4 – 20 mA valve must close when control signal fails Explosion proof (EX)
Inlet Temperature	Max. 65°C min. – 30°C
Shut off up For actuator Sizing	50 kg / cm ²
Oil Specific gravity	Between (0.76 – 0.83)

TOLERANCE
UNLESS OTHERWISE SPECIFIED
DECIMALS: .0 ± .1
.00 ± .01
.000 ± .005
ANGLES: MACH. ± 1° 00'
FORMED ± 2°
FRACTIONS: ± 1/16"

APPROVED BY
BOND

CHECKED BY
JULIA

DRAWING BY
C L

科威納 | COVNA® VALVE COVNA GROUP CO., LTD

TITLE
8 Inch ANSI 300LBElectric Globe Valve

FSCM:	DWG NO.	REV A
SIZE mm	SCALE 1:1	SHEET
SHEET 1 OF 1		