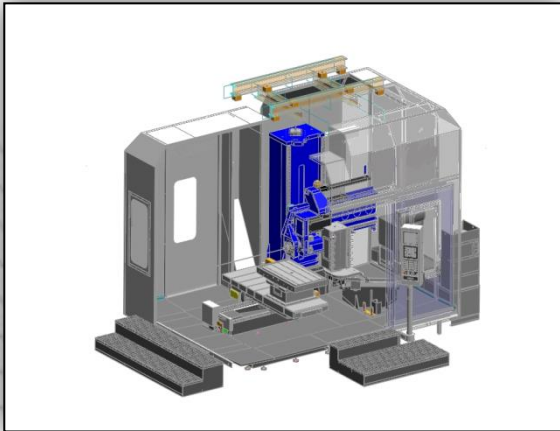
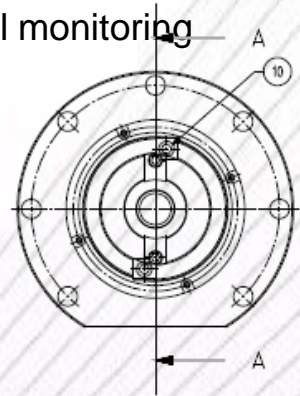
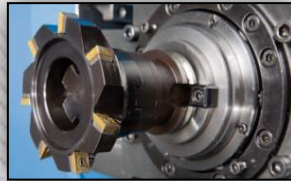


Coordinate Deep Drilling and Milling Machine with CE-compliant Protection Housing



Digital AC-drives
 3D Path Control
 Hand-held portable controller
 C.T.S.-coolant through spindle
 CE-compliant Protection Housing

Option:
 NC Rotary table
 Drilling-/ Milling Unit, swivel-mounted, CNC-controlled
 Tool changer
 Integrated Tool monitoring



Specification

max. drilling capacity	mm		6-32
max. drilling depth in one stroke	mm		1.100
Number of spindle	pc		1
Main Spindle			ISO 40
CNC Axis			X, Y, Z, W (B,A,C)
Spindle speed directly programmable	min ⁻¹		60 - 6.000
Table load	kg		5.000
Coolant pressure	Bar		max. 100
CNC Control	Siemens / Fanuc / Heidenhain		

