

## USER MANUAL

### CAUTION

- 1) BE SURE THE ELECTRICITY TO THE WIRES YOU ARE WORKING ON IS SHUT OFF; EITHER THE FUSE IS REMOVED OR THE CIRCUIT BREAKER IS TURNED OFF. TURNING THE POWER OFF USING THE LIGHT SWITCH IS NOT SUFFICIENT TO PREVENT ELECTRICAL SHOCK.
- 2) DO NOT INSTALL OR USE THE LIGHT FIXTURE IF ANY PART IS MISSING OR DAMAGED. CONTACT YOUR DEALER FOR REPLACEMENT OR MISSING PARTS.
- 3) TO PROTECT THE FINISH, DO NOT USE CLEANSERS OR ABRASIVES DURING MAINTENANCE.
- 4) TO AVOID POSSIBLE FIRE OR ELECTRICAL SHOCK, MAKE SURE NO BARE WIRE STRANDS ARE EXPOSED OUTSIDE WIRE CONNECTORS.

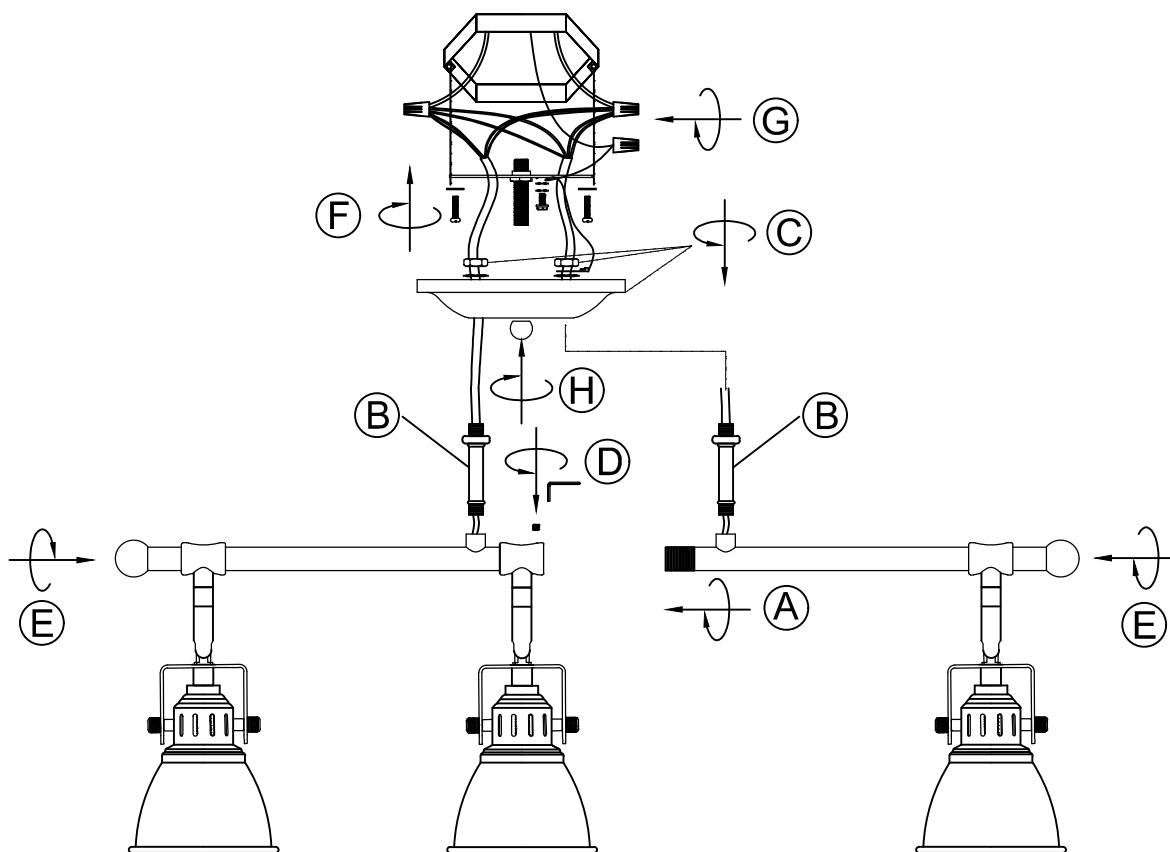
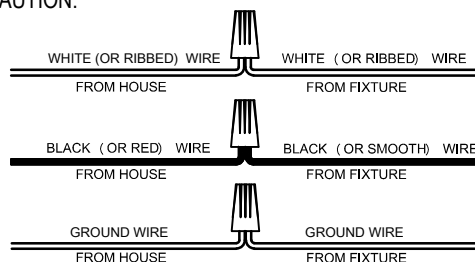


### INSTALLATION DIAGRAM

#### NOTE:

- 1, At step A, screw fixture right half into fixture left half till the thread end, then REVERSE about half circle to align the four lamp cups on same surface.
- 2, Do wait till step D, after the canopy is assembled, to fasten the nut and settle the main fixture frame.
- 3, At step G, connect 4 group wires from lamp cups in PARALLEL, namely connect 4 white wires with white wire from house, and connect 4 black wires with black wire from house.

#### CAUTION:



### SPECIFICATION

Input Voltage: 110~120V 50/60Hz  
Wattage: GU10 Max 50W per socket, bulb not included  
Fixture Size: length 22.83in ( 58cm ) , width 5.35in ( 13.6cm ) , height 11.02in ( 28cm )

Thank you for shopping with us, please do not hesitate to contact us if you have any issue on product installation or application, please save this user manual as purchase proof and future reference.

[www.mirrea.com](http://www.mirrea.com)

**mirrea**<sup>®</sup>



mirrea®