

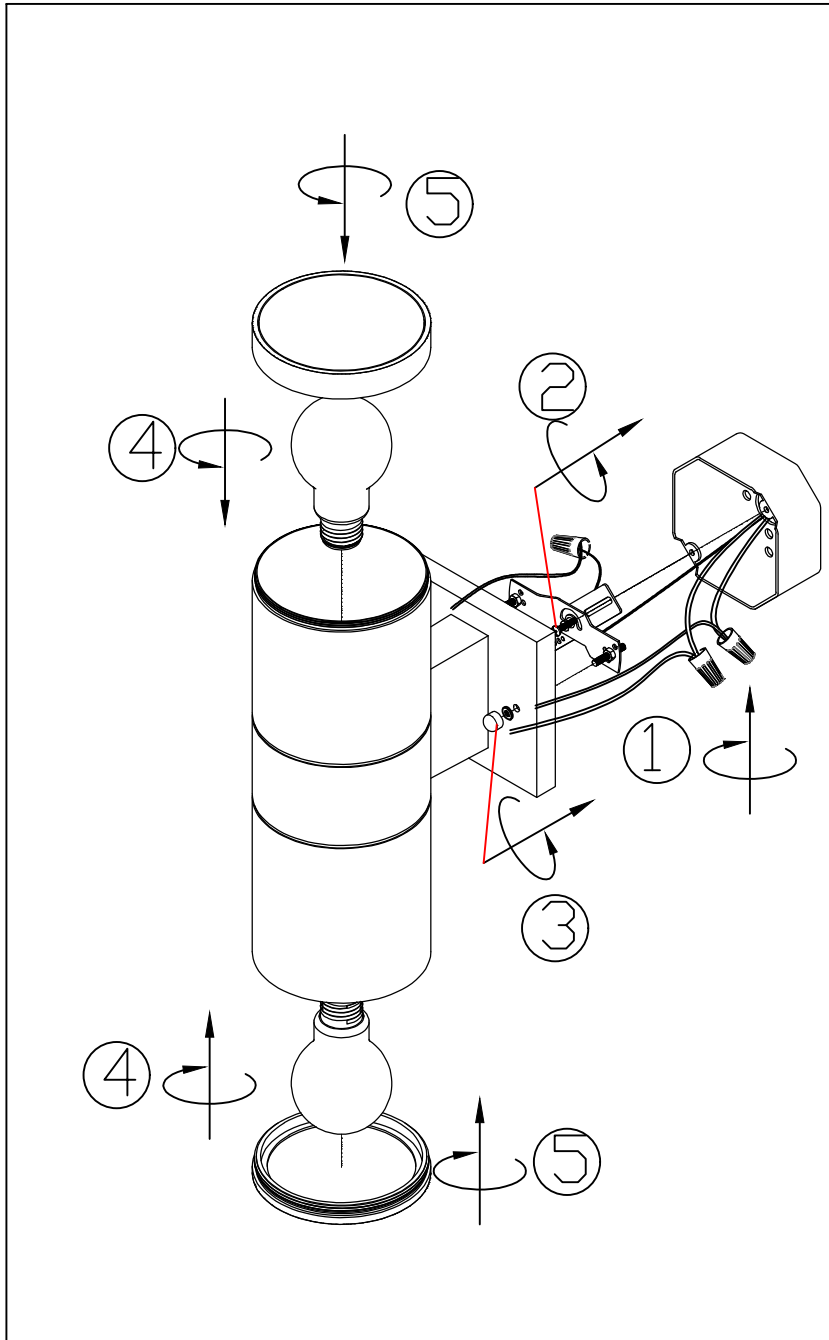
## USER MANUAL

### CAUTION

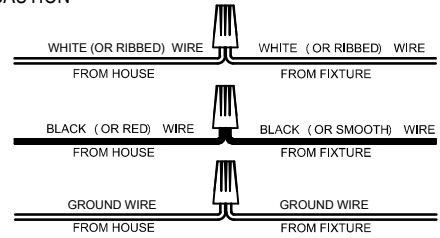
- 1) BE SURE THE ELECTRICITY TO THE WIRES YOU ARE WORKING ON IS SHUT OFF; EITHER THE FUSE IS REMOVED OR THE CIRCUIT BREAKER IS TURNED OFF. TURNING THE POWER OFF USING THE LIGHT SWITCH IS NOT SUFFICIENT TO PREVENT ELECTRICAL SHOCK.
- 2) DO NOT INSTALL OR USE THE LIGHT FIXTURE IF ANY PART IS MISSING OR DAMAGED. CONTACT YOUR DEALER FOR REPLACEMENT OR MISSING PARTS.
- 3) TO PROTECT THE FINISH, DO NOT USE CLEANSERS OR ABRASIVES DURING MAINTENANCE.
- 4) TO AVOID POSSIBLE FIRE OR ELECTRICAL SHOCK, MAKE SURE NO BARE WIRE STRANDS ARE EXPOSED OUTSIDE WIRE CONNECTORS.



### INSTALLATION DIAGRAM

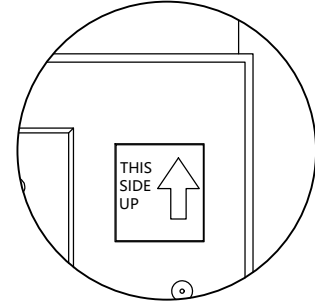


### CAUTION

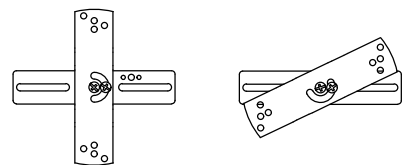


### NOTE:

ON WALL PLATE BACKSIDE, DO FOLLOW "THIS SIDE UP" AND ARROW DIRECTION TO MOUNT THIS FIXTURE.



MOUNTING BRACKET ANGLE IS ADJUSTABLE, SO THAT THIS FIXTURE CAN BE EASILY MOUNTED UPRIGHT.



ONCE THE FIXTURE IS MOUNTED, CAULK THE SPACE BETWEEN THE WALL AND THE UPPER 3/4 AREA OF THE WALL PLATE TO PREVENT WATER SEEPING INTO THE OUTLET BOX, LEAVE THE BOTTOM 1/4 AREA UN-CAULKED FOR DRAINAGE OF ANY WATER WHICH MIGHT LEAK INTO THE ENCLOSURE.

### SPECIFICATION

Input Voltage: 110~120V 50/60Hz  
 Wattage: E26 Max 60W per socket, bulb not included  
 Fixture Size: Cylinder  $\varnothing$ 4.25in ( 10.8cm )  $\times$  11.75in ( 29.84cm ) , Wall Plate 4.53in ( 11.5cm )  $\times$  4.53in ( 11.5cm )  $\times$  0.63in ( 1.6cm )

Thank you for shopping with us, please do not hesitate to contact us if you have any issue on product installation or application, please save this user manual as purchase proof and future reference.

[www.mirrea.com](http://www.mirrea.com)

**mirrea**®