

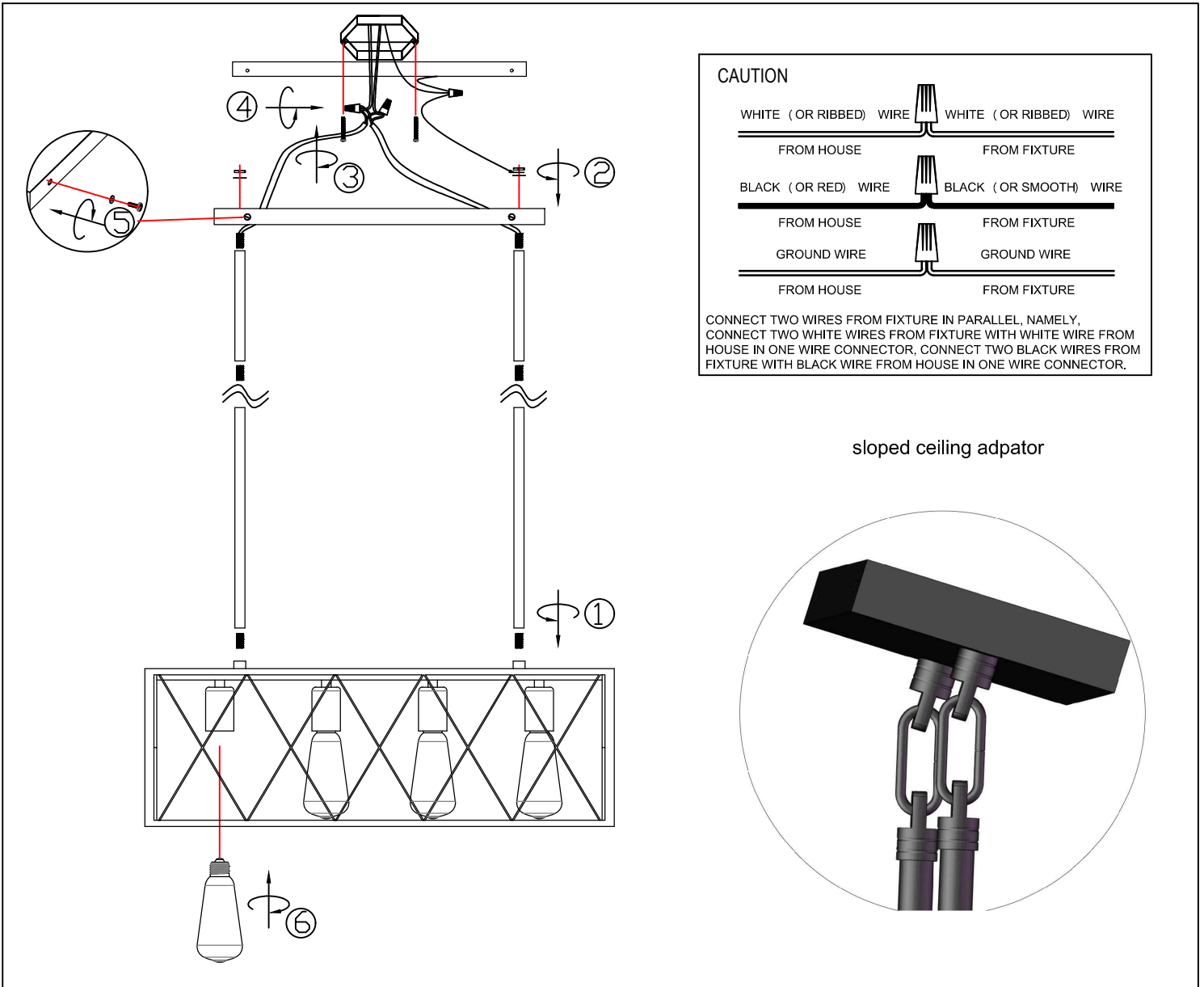
## USER MANUAL

### CAUTION

- 1) BE SURE THE ELECTRICITY TO THE WIRES YOU ARE WORKING ON IS SHUT OFF; EITHER THE FUSE IS REMOVED OR THE CIRCUIT BREAKER IS TURNED OFF. TURNING THE POWER OFF USING THE LIGHT SWITCH IS NOT SUFFICIENT TO PREVENT ELECTRICAL SHOCK.
- 2) DO NOT INSTALL OR USE THE LIGHT FIXTURE IF ANY PART IS MISSING OR DAMAGED. CONTACT YOUR DEALER FOR REPLACEMENT OR MISSING PARTS.
- 3) TO PROTECT THE FINISH, DO NOT USE CLEANSERS OR ABRASIVES DURING MAINTENANCE.
- 4) TO AVOID POSSIBLE FIRE OR ELECTRICAL SHOCK, MAKE SURE NO BARE WIRE STRANDS ARE EXPOSED OUTSIDE WIRE CONNECTORS.



### INSTALLATION DIAGRAM



### SPECIFICATION

Input Voltage:	110~120V 50/60Hz
Wattage:	E26 Max 60W per socket, bulb not included
Dimension:	Canopy Size: Length 17.72in (45cm) Width 4.37in (11.1cm) Height 0.87in (2.2cm) Fixture Size: Length 25.16in (63.9cm) Width 9.65in (24.5cm) Height 8.86in (22.5cm) 3 set 11.81in (30cm) down rods, 1 set 5.91in (15cm) down rod, 1 set sloped ceiling adaptor

Thank you for shopping with us, please feel free to contact us if you have any issue on product installation or application. Please save this user manual as purchase proof and future reference.

[www.mirrea.com](http://www.mirrea.com)

**mirrea**®