

USER MANUAL

CAUTION

- 1) MAKE SURE THE ELECTRICITY TO THE WIRES YOU ARE WORKING ON IS SHUT OFF; EITHER THE FUSE IS REMOVED OR THE CIRCUIT BREAKER IS TURNED OFF. TURNING THE POWER OFF USING THE LIGHT SWITCH IS NOT SUFFICIENT TO PREVENT ELECTRICAL SHOCK.
- 2) ALL ELECTRICAL CONNECTIONS MUST BE IN ACCORDANCE WITH LOCAL AND NATIONAL ELECTRIC CODE. FOR YOUR SAFETY, ALL WORK SHOULD BE DONE BY A QUALIFIED ELECTRICIAN.
- 3) DO NOT INSTALL OR USE THIS LIGHT IF ANY PART IS MISSING OR DAMAGED. CONTACT YOUR DEALER FOR REPLACEMENT OR MISSING PARTS. PLEASE REVIEW USER MANUAL CAREFULLY BEFORE PROCEEDING.

TOOLS REQUIRED

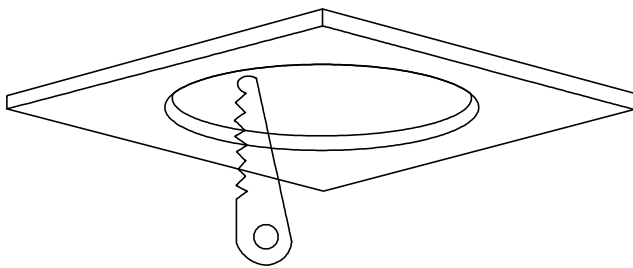
Saw, Measuring Tape, Wire strippers, Electrical Wire (use the right type and gauge suitable to connect to the fixtures), Drill w/Hole Saw (optional)

INSTALLATION DIAGRAM

1 Turn off circuit breaker that provides power to the light switch for the recessed light.

2 Cut a hole in the ceiling at the desired location.

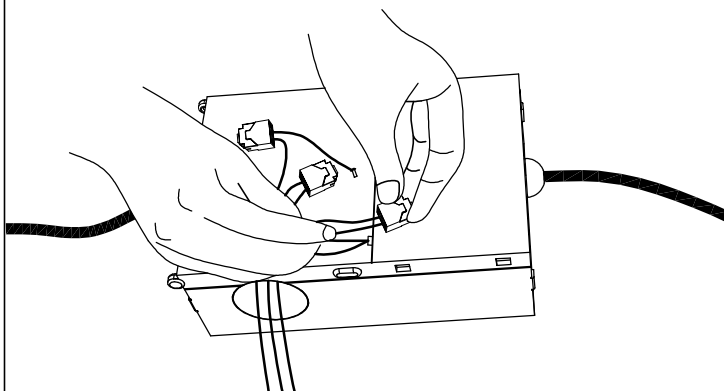
hole diameter:  $4 \sim 4 \frac{1}{8}$  inch



5 Connect the supply wires to the junction box wires using the wire nuts provided.

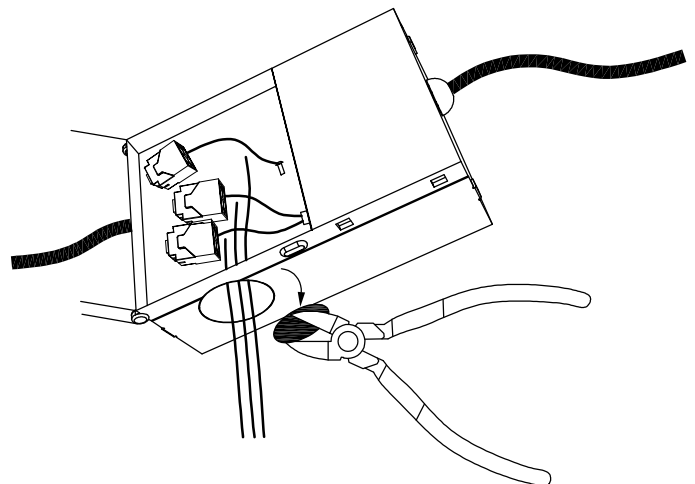
- white to white
- green to green
- black to black

6 Tuck the connected wires inside the junction box and close the cover.



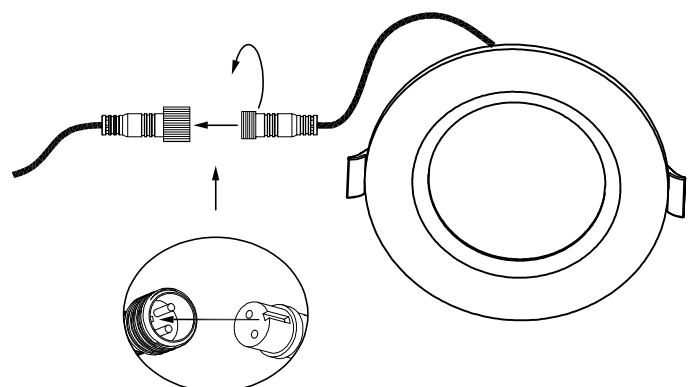
3 Open the junction box of the recessed light and remove the appropriate knockout on the side plate.

4 Run electrical wire from the power source (switch) through the mounting hold.

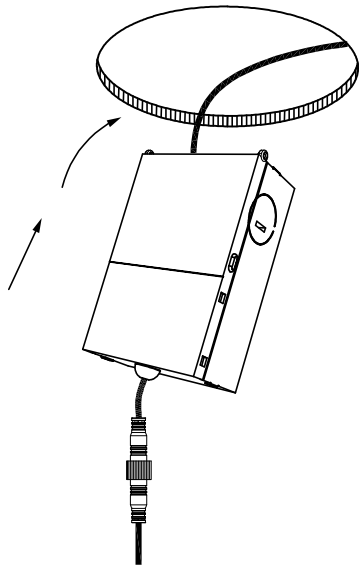


7 Connect the junction box to the recessed light. Tighten the connector by hand.

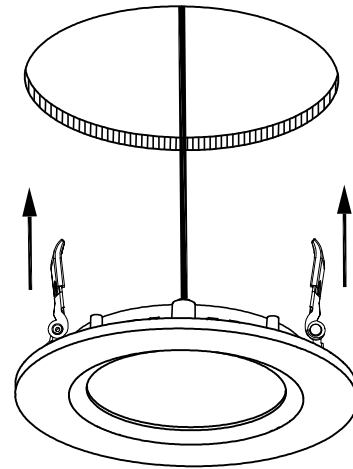
The slot of male/female needs to be aligned before inserted.



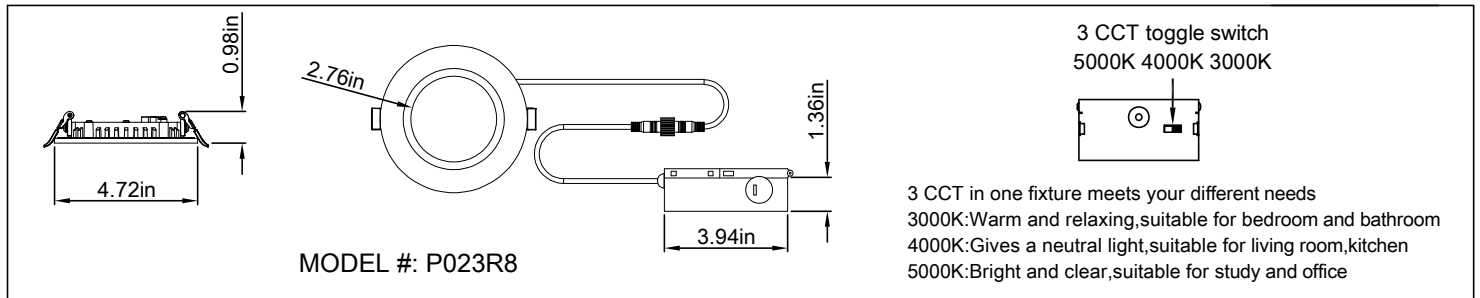
- 8** Insert junction box through the hole in the ceiling.  
 - New construction applications: Hardwire box shall be secured to studs, joists, or similar fixed structural units.  
 - Remodel applications: Do not require the hardwire box to be firmly secured after the mounting plates, studs, joists, or structural units have been concealed.



- 9** Push up the spring clips to insert the recessed light in the opening of the ceiling.  
**10** Turn on circuit breaker and test the light.



**DIMENSION**



**SPECIFICATIONS**

Model	Voltage	Wattage	Lumen	CCT	CRI	Finish Type	Dimmable	Average Life
P023R8	120V	9W	630lm	3000K-4000K - 5000K	> 90	White	Yes	50000H

**DIMMER COMPATIBILITY LIST**

P023R8	Brand	Lutron	Lutron	Lutron	Lutron	Lutron	Leviton	Leviton	Leviton
	Model	CTCL-153P	DVCL-153P	MACL-153M	PD-6WCL	TGCL-153P	DSL06	IPL06-10	6674

**LIMITED WARRANTY**

The manufacturer warrants all of its lighting fixtures against defects in materials and workmanship for five years from the date of purchase. If within this period the product is found to be defective in material or workmanship, the product must be returned, with a copy of the original sales receipt as proof of purchase. The manufacturer will, at its option, replace or refund the original purchase price to the consumer. This warranty does not cover fixtures becoming defective due to misuse, accidental damage, improper handling and/or installation and specifically excludes liability for direct, incidental or consequential damages. As some states do not allow exclusions or limitations on an implied warranty, the above exclusions and limitations may not apply to you. This warranty gives you specific legal rights, and you may have other rights that vary from state to state.

Thank you for shopping with us, please feel free to contact us if you have any issue on product installation or application. Please save this user manual as purchase proof and future reference.

[www.mirrea.com](http://www.mirrea.com)

