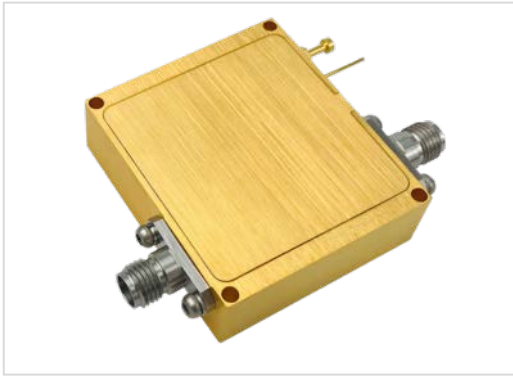


MODEL HIPA23315020

23-31GHz Broadband Power Amplifier



Note: The photo is for illustration purposes only.
Please refer to outline drawing

■ Features

- Ultra Wide Band: 23-31GHz
- Gain: 50dB
- Output Power Psat: 20dBm
- Bias: Vd=12V;Id=0.3A

■ Applications

- Radar Systems
- Communication Systems
- Receivers Systems

□ Electrical Specifications

Parameter	Min.	Typ.	Max	Units
Frequency Range	23-31			GHz
Small Signal Gain	50			dB
Gain Flatness		± 1.5		dB
Input VSWR		1.8		-
Output VSWER		1.8		-
Output Power for 1 dB Compression (P1dB)		18		dBm
Saturated Output Power (Psat)		20		dBm
NF		4		dB
Input Max Power(no damage)			-20	dBm
DC Current (Vcc=+12V)		300	380	A
Impedance	50			Ω
Input Output Connector	SMA-K			
Material	Aluminium/Gold Painting			
Weight	50g			
Dimension	30X30X8mm			

Environmental Conditions

Operational Temperature	-45°C~+85°C	Vibration	25g rms (15 degree 2KHz) endurance, 1 hour per axis
Storage Temperature	-55°C~+125°C	Shock	20G for 11msc half sin wave, 3 axis both directions
Executive Standard	MIL-STD-810G	Humidity	100% RH at 35c, 95%RH at 40°C

Absolute Maximum Ratings

Supply Bias Voltage	+15V
RF INPUT POWER	-20dBm
ESD sensitivity (HBm)	Class 0, passed 150V

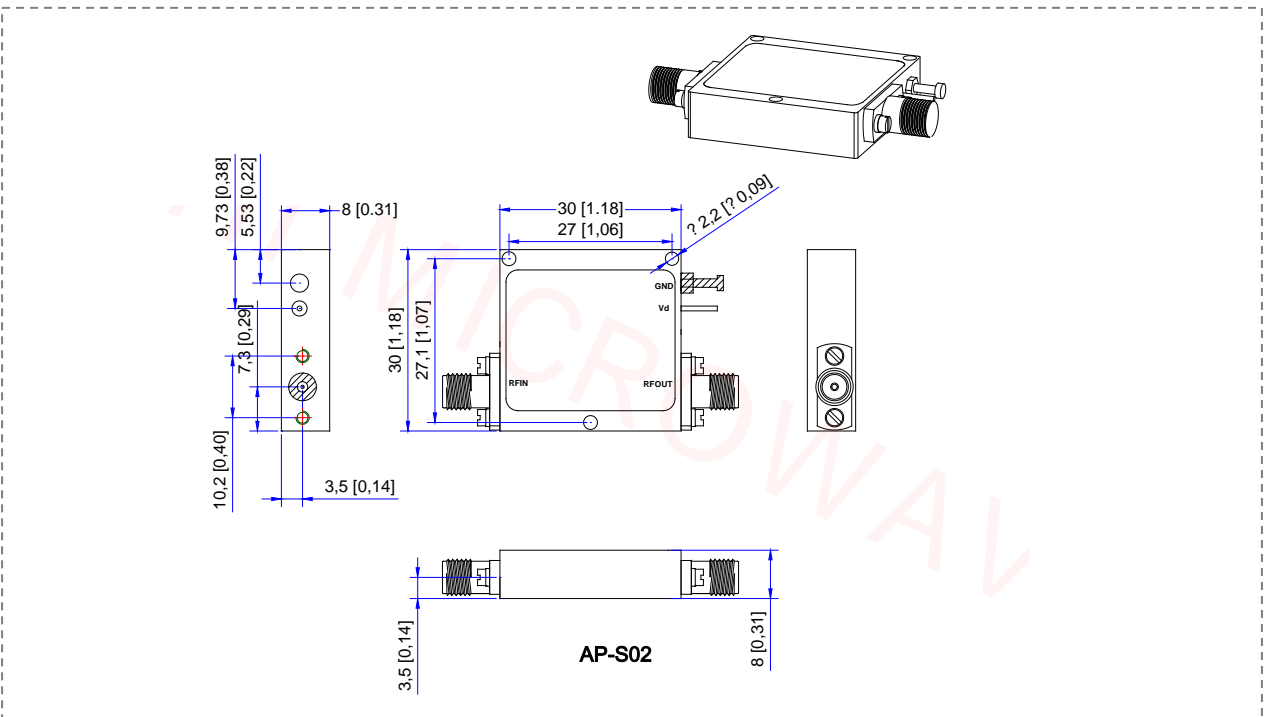


OBSERVE
PRECAUTIONS
ELECTROSTATIC
SENSITIVE
DEVICES



Outline Drawing

All Dimensions in mm (inches) Tolerance ± 0.25 (0.01)



*****Heat Sink required during operation*****