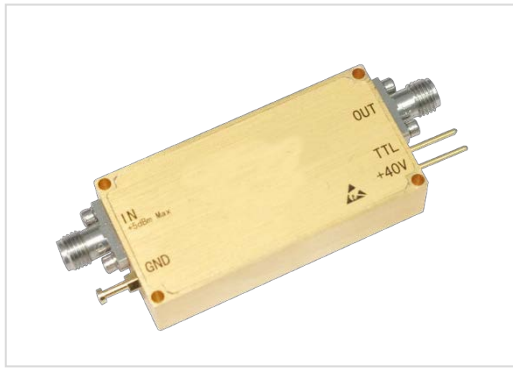


MODEL HIPAS3H94550

3-90MHz Power Amplifier



Note: The photo is for illustration purposes only.
Please refer to outline drawing

■ Features

- Ultra Wide Band: 3-90MHz
- Gain: 45dB
- Output Power Psat: 50dBm

■ Applications

- Radar Systems
- Communication Systems
- Receivers Systems

□ Electrical Specifications


Parameter	Min.	Typ.	Max	Units
Frequency Range	3-90			MHz
Small Signal Gain	43	45		dB
Gain Flatness		± 1.0		dB
Input VSWR		1.2	1.3	-
Output Power P-1 (CW)		47		dBm
Saturated Output Power Past		50		dBm
Harmonics @ 100W		-24	-20	dBc
Spurious		-70	-60	dBc
IP3		57		dBm
Input Max Power(no damage)			15	dBm
DC Current (Vcc=+28V) (@Pout=100W)			10	A
DC Connector	Fitered feed-though			
Shut down Pin: GND=OFF; Open=on	Typical: 1ms off; 10ms on			
Impedance	50			Ω
Input Output Connector	SMA-k/SMA-K			
Cooling	Heat-sink with Fan			
Weight	1.25kg			
Outline Size	3X8X1.25 Inch Max			

Environmental Conditions

Operational Temperature	0°C~+50°C	Vibration	25g rms (15 degree 2KHz) endurance, 1 hour per axis
Storage Temperature	-55°C~+125°C	Shock	20G for 11msc half sin wave, 3 axis both directions
Executive Standard	MIL-STD-810G	Humidity	100% RH at 35c, 95%RH at 40°C

Absolute Maximum Ratings

Supply Bias Voltage	+30V
RF INPUT POWER	+15dBm
ESD sensitivity (HBm)	Class 0, passed 150V

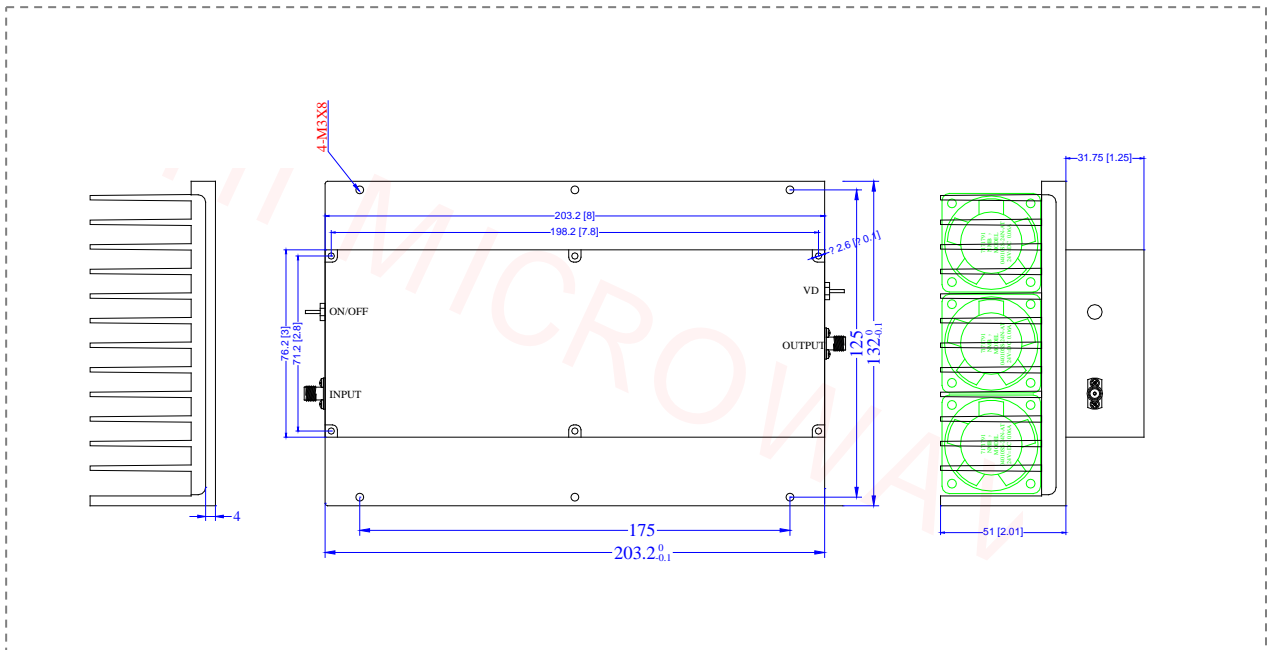


OBSERVE PRECAUTIONS ELECTROSTATIC SENSITIVE DEVICES



Outline Drawing

All Dimensions in mm (inches) Tolerance ± 0.25 (0.01)



*****Heat Sink required during operation*****