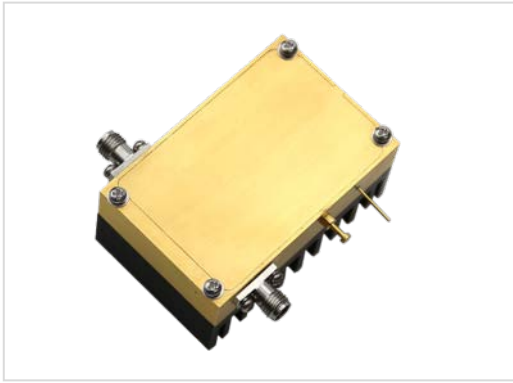


MODEL HIPAT3052532

0.3-5GHz Broadband Power Amplifier



Note: The photo is for illustration purposes only. Please refer to outline drawing

■ Features

- Ultra Wide Band: 0.3-5GHz
- Gain: 25dB
- Output Power Psat: 32dBm
- Bias: Vd=12V;Id=0.7A

■ Applications

- Radar Systems
- Communication Systems
- Receivers Systems

□ Electrical Specifications

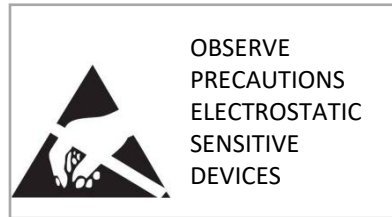
Parameter	Min.	Typ.	Max	Units
Frequency Range	0.3-5			GHz
Small Signal Gain	25			dB
Gain Flatness		±2		dB
Input VSWER		1.8		-
Output VSWER		1.8		-
Output Power for 1 dB Compression (P1dB)		32		dBm
Saturated Output Power (Psat)	32			dBm
Input Max Power(no damage)			14	dBm
DC Current (Vcc=9+15V) (@Pout=2W)		0.7	0.9	A
Impedance	50			Ω
Input Output Connector	SMA			
Material	Aluminium/Gold Painting			
Weight	-			
Dimension	With Heatsink & fan			

Environmental Conditions

Operational Temperature	-45°C~+85°C	Vibration	25g rms (15 degree 2KHz) endurance, 1 hour per axis
Storage Temperature	-55°C~+125°C	Shock	20G for 11msc half sin wave, 3 axis both directions
Executive Standard	MIL-STD-810G	Humidity	100% RH at 35c, 95%RH at 40°C

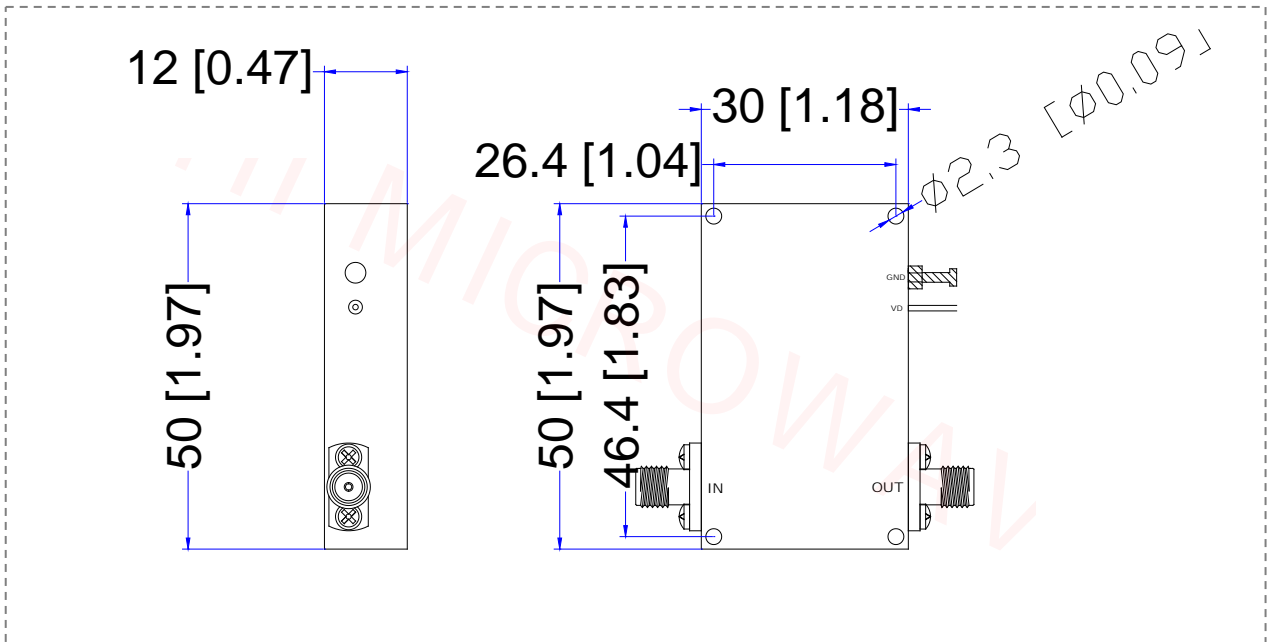
Absolute Maximum Ratings

Supply Bias Voltage	+15V
RF INPUT POWER	14dBm
ESD sensitivity (HBm)	Class 0, passed 150V



Outline Drawing

All Dimensions in mm (inches) Tolerance ± 0.25 (0.01)



*****Heat Sink required during operation*****