

MODEL HIPA02025547

2.4-2.5GHz 50W Power Amplifier



Note: The photo is for illustration purposes only.
Please refer to outline drawing

■ Features

- Ultra Wide Band: 2.4-2.5GHz
- Gain: 48dB
- Output Power Psat: 47dBm

■ Applications

- Radar Systems
- Communication Systems
- Receivers Systems

□ Electrical Specifications

Parameter	Min.	Typ.	Max	Units
Frequency Range	2.4-2.5			GHz
Small Signal Gain	48	55		dB
Gain Flatness		±0.75		dB
Input VSWR/output VSWR		2.0		-
Output Power for 1 dB Compression (P1dB)		45		dBm
Saturated Output Power (Psat)		47		dBm
Input Max Power(no damage)			5	dBm
Output Protection	Output protection using internal circulator and load (can operate in full open or short without damage).			
Internally Generated Spurious		-60		dBc
IP3	56			dBm
Cooling fan and heat sink	Desired			
Class of Operation	A/AB			
Harmonics	-20dBc @40 Watt			
RF input signal	CW/AM/FM/PM/Pulse			
DC Current (Vcc=+28V) (@Pout=50W)		7	8	A
Impedance	50			Ω
Input Output Connector	SMA/N			
Material	Aluminium			
Weight	-			
Dimension	220mmX65mmX40mm			

Environmental Conditions

Operational Temperature	-45°C~+85°C	Vibration	25g rms (15 degree 2KHz) endurance, 1 hour per axis
Storage Temperature	-55°C~+125°C	Shock	20G for 11msc half sin wave, 3 axis both directions
Executive Standard	MIL-STD-810G	Humidity	100% RH at 35c, 95%RH at 40°C

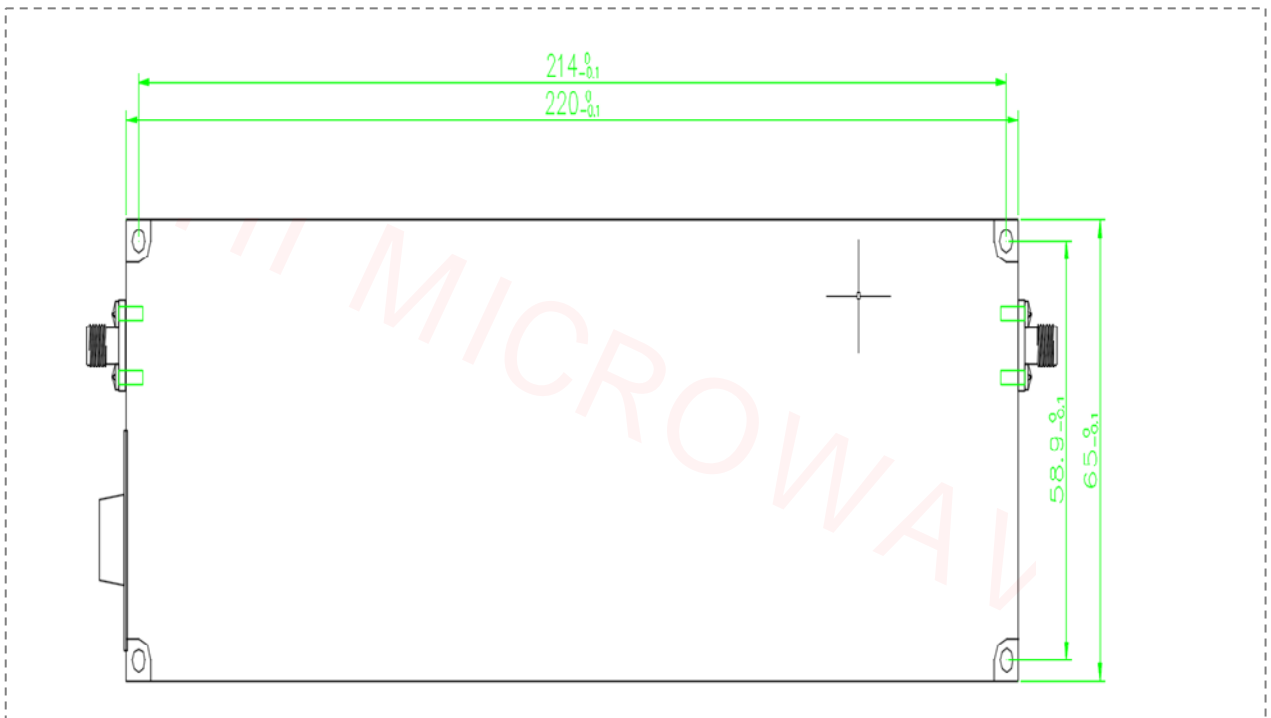
Absolute Maximum Ratings

Supply Bias Voltage	+28V
RF INPUT POWER	5dBm
ESD sensitivity (HBm)	Class 0, passed 150V



Outline Drawing

All Dimensions in mm (inches) Tolerance ± 0.25 (0.01)



*****Heat Sink required during operation*****