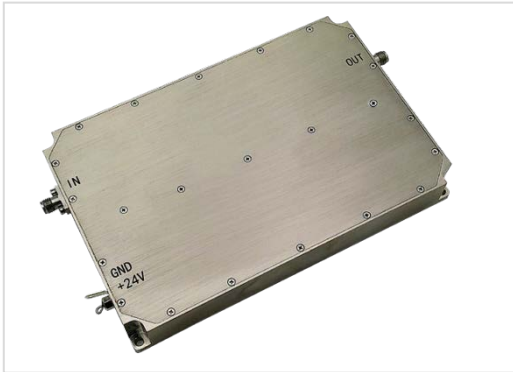


# MODEL HIPA05056043

## 5.5-5.9GHz Broadband Power Amplifier



Note: The photo is for illustration purposes only. Please refer to outline drawing

### ■ Features

- Ultra Wide Band: 5.5-5.9GHz
- Gain: 50dB
- Output Power Psat: 43dBm
- Bias: Vd=28V;Id=3A

### ■ Applications

- Radar Systems
- Communication Systems
- Receivers Systems

### □ Electrical Specifications


Parameter	Min.	Typ.	Max	Units
Frequency Range	5.5-5.9			GHz
Small Signal Gain	60			dB
Gain Flatness		$\pm 1$	$\pm 2$	dB
Input VSWR		1.5	2	dB
Output Power for 1 dB Compression (P1dB)		40		dBm
Saturated Output Power (Psat)	43			dBm
Harmonic Rejection		13		dB
Spurious		-60		dBc
Input Max Power(no damage)			10	dBm
DC Current (Vcc=+28~30V) (@Pout=20W)		2	3.5	A
Impedance	50			$\Omega$
Input Output Connector	SMA-k/SMA-K			
Material	Aluminium			
Package Sealing	General Sealing (Standard)			

### Environmental Conditions

<b>Operational Temperature</b>	-25°C~+70°C	<b>Vibration</b>	25g rms (15 degree 2KHz) endurance, 1 hour per axis
<b>Storage Temperature</b>	-45°C~+85°C	<b>Shock</b>	20G for 11msc half sin wave, 3 axis both directions
<b>Executive Standard</b>	MIL-STD-810G	<b>Humidity</b>	100% RH at 35c, 95%RH at 40°C

### Absolute Maximum Ratings

<b>Supply Bias Voltage</b>	+32V
<b>RF INPUT POWER</b>	+10dBm
<b>ESD sensitivity (HBm)</b>	Class 0, passed 150V

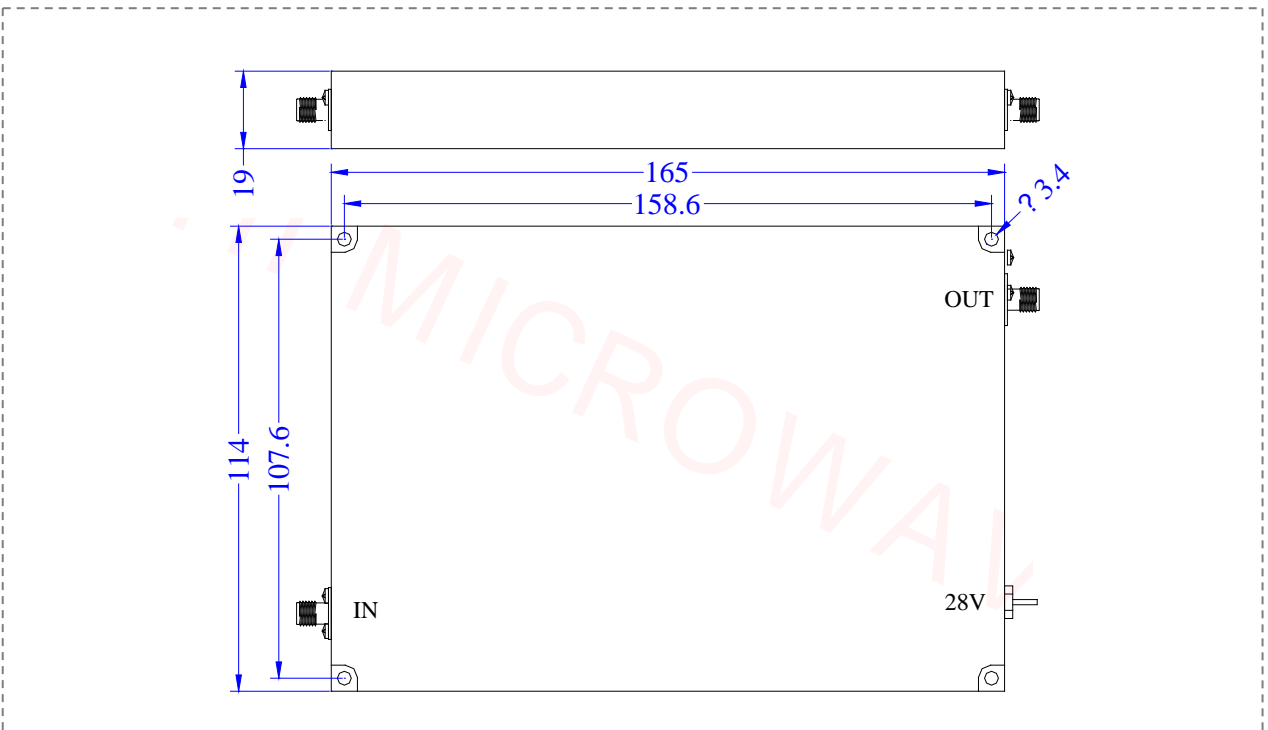


OBSERVE PRECAUTIONS ELECTROSTATIC SENSITIVE DEVICES



### Outline Drawing

All Dimensions in mm ( inches ) Tolerance  $\pm 0.25$  ( 0.01 )



**\*\*\*Heat Sink required during operation\*\*\***