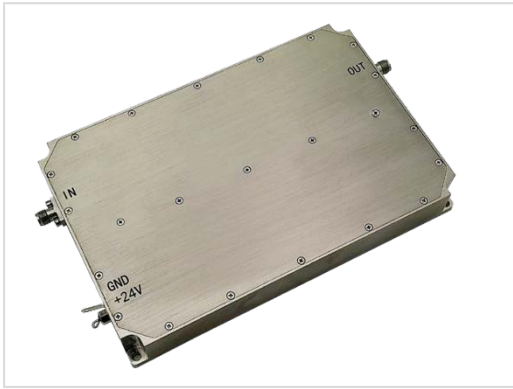


# MODEL HIPA06083840

## 6-8GHz Power Amplifier



Note: The photo is for illustration purposes only. Please refer to outline drawing

### ■ Features

- Ultra Wide Band: 6-8GHz
- Gain: 36dB
- Output Power Psat: 40dBm

### ■ Applications

- Radar Systems
- Communication Systems
- Receivers Systems

### □ Electrical Specifications


Parameter	Min.	Typ.	Max	Units
Frequency Range	6-8			GHz
Small Signal Gain	36	38		dB
Gain Flatness		± 1.5		dB
Gain Variation Over Temperature			± 2	dB
Input VSWR		1.5	2.0	-
Output Power for 1 dB Compression (P1dB)		37		dBm
Saturated Output Power (Psat)	40			dBm
Harmonic Rejection		15		dB
Input Max Power(no damage)			10	dBm
Internally Generated Spurious		-60		dBc
DC Current (Vcc=+30V) (@Pout=10W)		1.5	2	A
Impedance	50			Ω
Input Output Connector	SMA-k/SMA-K			
Material	Aluminium			
Weight	300g			
Dimension	110X80X12mm			

### Environmental Conditions

<b>Operational Temperature</b>	-35°C~+70°C	<b>Vibration</b>	25g rms (15 degree 2KHz) endurance, 1 hour per axis
<b>Storage Temperature</b>	-55°C~+125°C	<b>Shock</b>	20G for 11msc half sin wave, 3 axis both directions
<b>Executive Standard</b>	MIL-STD-810G	<b>Humidity</b>	100% RH at 35c, 95%RH at 40°C

### Absolute Maximum Ratings

<b>Supply Bias Voltage</b>	+30V
<b>RF INPUT POWER</b>	+10dBm
<b>ESD sensitivity (HBm)</b>	Class 0, passed 150V

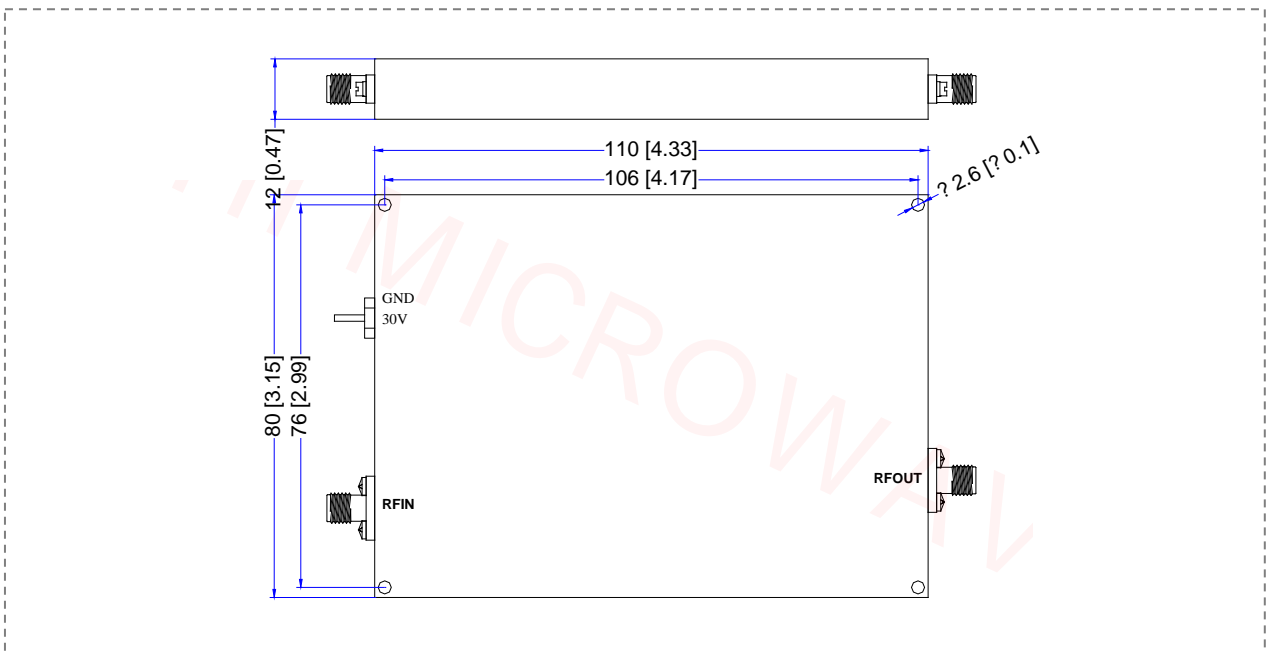


OBSERVE PRECAUTIONS ELECTROSTATIC SENSITIVE DEVICES



### Outline Drawing

All Dimensions in mm ( inches ) Tolerance  $\pm 0.25$  ( 0.01 )



**\*\*\*Heat Sink required during operation\*\*\***