

MODEL HILNAH1702560

0.01-70GHz Broadband Amplifier



Note: The photo is for illustration purposes only.
Please refer to outline drawing

■ Features

- Ultra Wide Band: 0.01-70GHz
- Gain: 25dB
- Output Power: 16dBm
- High Output IP3: 20dBm

■ Applications

- Radar Systems
- Communication Systems
- Receivers Systems

□ Electrical Specifications

Parameter	Min	Typ	Max	Min	Typ	Max	Min	Typ	Max	Units
Frequency Range	0.01-10			10-50			50-70			GHz
Gain		25			25			25		dB
Gain Flatness		±3			±2.5			±3		dB
Input VSWR		8			10			8		dB
Output VSWR		8			10			8		dB
Output Power for P1dB		15			14			13		dBm
Output Power Past		16			16			15		dBm
Noise Figure		5			6			7		dB
Output IP3		20			20			20		dBm
Input Max Power (no damage)			0			0			0	dBm
DC Current (Vcc=+12V)		300			300			300		mA
Impedance	50									Ω
Input Output Connector	1.85									
Material	Aluminium\Gold Painting									
Weight	50g									
Package Sealing	General Sealing (Standard)									

Environmental Conditions

Operational Temperature	-45°C~+85°C	Vibration	25g rms (15 degree 2KHz) endurance, 1 hour per axis
Storage Temperature	-55°C~+125°C	Shock	20G for 11msc half sin wave, 3 axis both directions
Executive Standard	MIL-STD-810G	Humidity	100% RH at 35c, 95%RH at 40°C

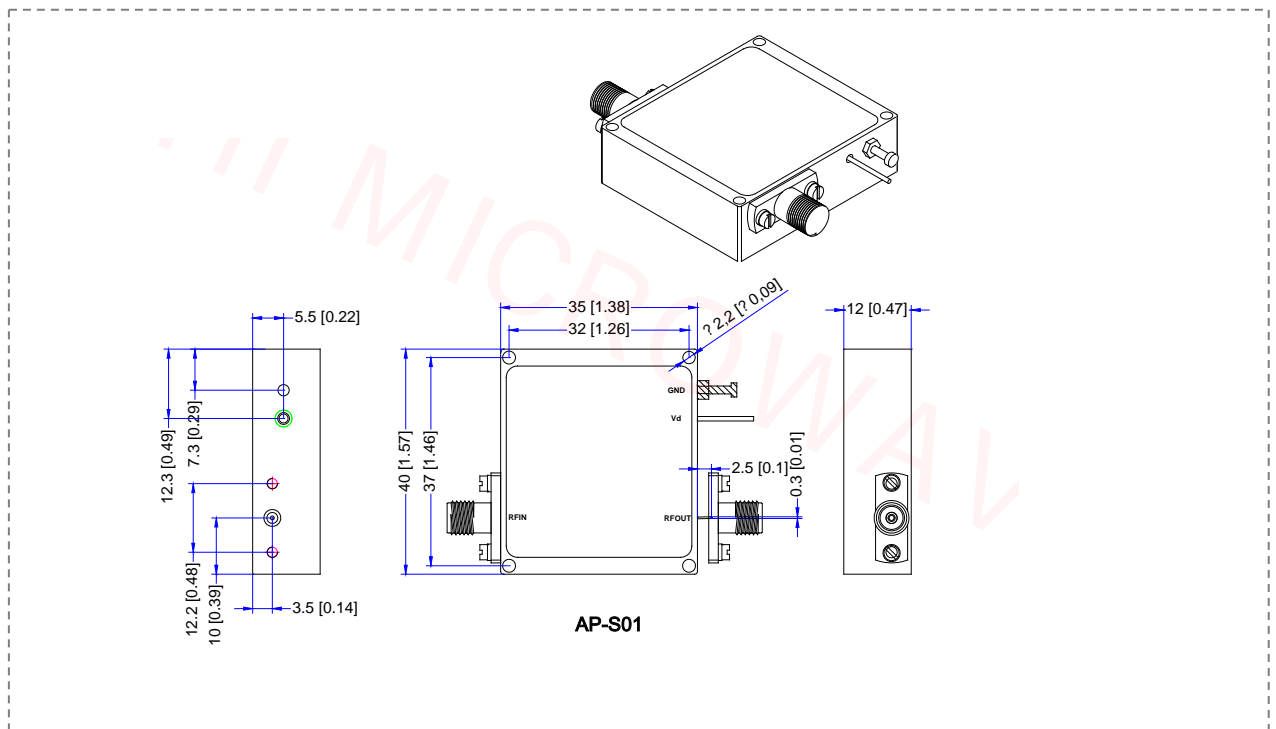
Absolute Maximum Ratings

Supply Bias Voltage	+13V
RF INPUT POWER	0dBm
ESD sensitivity (HBm)	Class 0, passed 150V



Outline Drawing

All Dimensions in mm (inches) Tolerance ± 0.25 (0.01)



*****Heat Sink required during operation*****