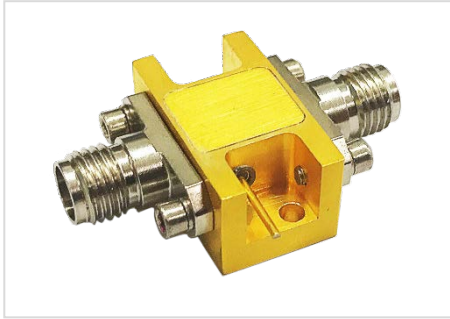


# MODEL HILNA02201620

## 2-20GHz Broadband Low Noise Amplifier



Note: The photo is for illustration purposes only.  
Please refer to outline drawing

### ■ Features

- Ultra Wide Band: 2-20GHz
- Gain: 16dB
- Output Power: 15dBm
- High Output IP3: 28dBm

### ■ Applications

- Radar Systems
- Communication Systems
- Receivers Systems

### □ Electrical Specifications

Parameter	Min.	Typ.	Max	Units
Frequency Range	2-20			GHz
Gain		16		dB
Gain Flatness		±1.0	±2	dB
Input Return Loss		15	10	dB
Output Return Loss		15	10	dB
Output Power for 1 dB		15		dBm
Saturated Output Power (Psat)		16		dBm
Noise Figure		2.0		dB
OIP3		28		
Input Max Power(no damage)			+10	dBm
DC Current (Vcc=+12V)		80		mA
Impedance	50			Ω
Input Output Connector	SMA-k			
Material	Aluminium/Gold			
Weight	50g			
Package Sealing	General Sealing (Standard);			

### Environmental Conditions

Operational Temperature	-45°C~+85°C	Vibration	25g rms (15 degree 2KHz) endurance, 1 hour per axis
Storage Temperature	-55°C~+125°C	Shock	20G for 11msc half sin wave, 3 axis both directions
Executive Standard	MIL-STD-810G	Humidity	100% RH at 35c, 95%RH at 40°C

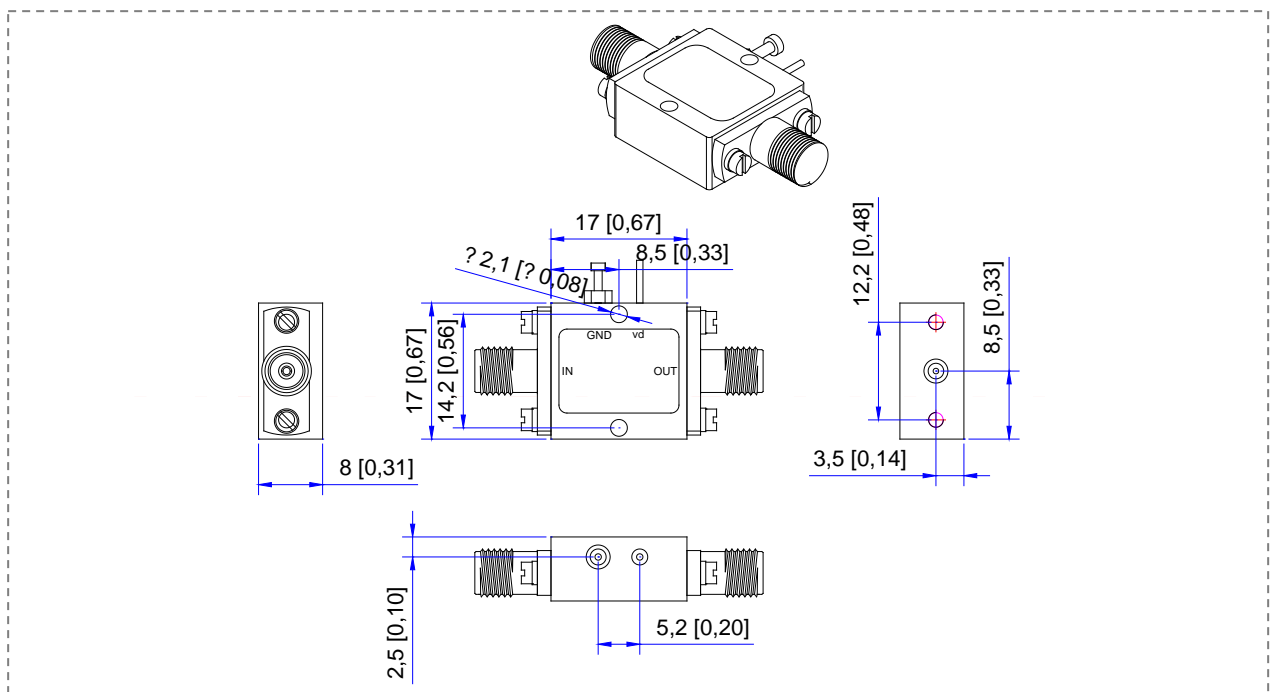
### Absolute Maximum Ratings

Supply Bias Voltage	15V
RF INPUT POWER	+10dBm
ESD sensitivity (HBm)	Class 0, passed 150V



### Outline Drawing

All Dimensions in mm ( inches ) Tolerance  $\pm 0.25$  ( 0.01 )



**\*\*\*Heat Sink required during operation\*\*\***

### ■ Performance Plot

