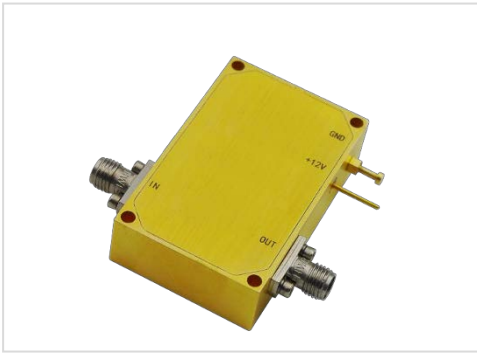


# MODEL HILNA06181815

## 6-18GHz Broadband Amplifier



Note: The photo is for illustration purposes only.  
Please refer to outline drawing

### ■ Features

- Ultra Wide Band: 6-18GHz
- Gain: 17dB
- Output Power: 15dBm
- High Output IP3: 23dBm

### ■ Applications

- Radar Systems
- Communication Systems
- Receivers Systems

### □ Electrical Specifications

Parameter	Min.	Typ.	Max	Units
Frequency Range	6~18			GHz
Gain	17	18		dB
Gain Flatness		±0.5	±1	dB
Gain Variation Over Temperature		±1		dB
Input VSWR		1.6	2.0	
Output VSWR		1.6	2.0	
Output Power for 1 dB	15	16		dBm
Saturated Output Power (Psat)		16		dBm
Noise Figure		1.5	2.0	dB
Spurious	-60			dBc
OIP3		23		dBm
Input Max Power(no damage)			0	dBm
DC Current (Vcc=+12~15V)		70		mA
Impedance	50			Ω
Input Output Connector	SMA-k/SMA-K			
Material	Aluminium/Gold			
Weight	50g			
Package Sealing	General Sealing (Standard);			

### Environmental Conditions

Operational Temperature	-45°C~+85°C	Vibration	25g rms (15 degree 2KHz) endurance, 1 hour per axis
Storage Temperature	-55°C~+125°C	Shock	20G for 11msc half sin wave, 3 axis both directions
Executive Standard	MIL-STD-810G	Humidity	100% RH at 35c, 95%RH at 40°C

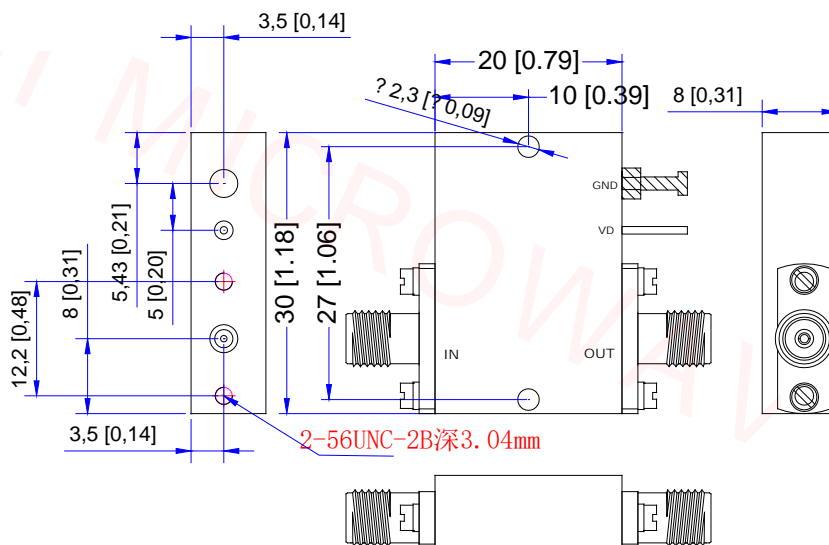
### Absolute Maximum Ratings

Supply Bias Voltage	18V
RF INPUT POWER	10dBm
ESD sensitivity (HBm)	Class 0, passed 150V



### Outline Drawing

All Dimensions in mm ( inches ) Tolerance  $\pm 0.25$  ( 0.01 )



**\*\*\*Heat Sink required during operation\*\*\***