

# MODEL HILNA18502650

## 18-50GHz Low Noise Amplifier



Note: The photo is for illustration purposes only.  
Please refer to outline drawing

### ■ Features

- Ultra Wide Band: 18-50GHz
- Gain: 30dB
- Output Power: 15dBm
- High Output IP3: 25dBm

### ■ Applications

- Radar Systems
- Communication Systems
- Receivers Systems

### □ Electrical Specifications

Parameter	Min.	Typ.	Max	Units
Frequency Range	18-50			GHz
Gain	26	30		dB
Gain Flatness		± 2.0	± 2.8	dB
Input VSWR		1.8	3.0	-
Output VSWR		1.8	3.0	-
Output Power for (P1dB)	12	14		dBm
Output Power Past		15		dBm
Noise Figure		5	6	dB
Output IP3		25		dBm
Input Max Power(no damage)			-10	dBm
DC Current (Vcc=+12V)		400		mA
Impedance	50			Ω
Input Output Connector	2.4-k			
Material	Aluminium\Gold Painting			
Weight	50g			
Package Sealing	General Sealing (Standard)			

### Environmental Conditions

Operational Temperature	-45°C~+85°C	Vibration	25g rms (15 degree 2KHz) endurance, 1 hour per axis
Storage Temperature	-55°C~+125°C	Shock	20G for 11msc half sin wave, 3 axis both directions
Executive Standard	MIL-STD-810G	Humidity	100% RH at 35c, 95%RH at 40°C

### Absolute Maximum Ratings

Supply Bias Voltage	+18V
RF INPUT POWER	-10dBm
ESD sensitivity (HBm)	Class 0, passed 150V

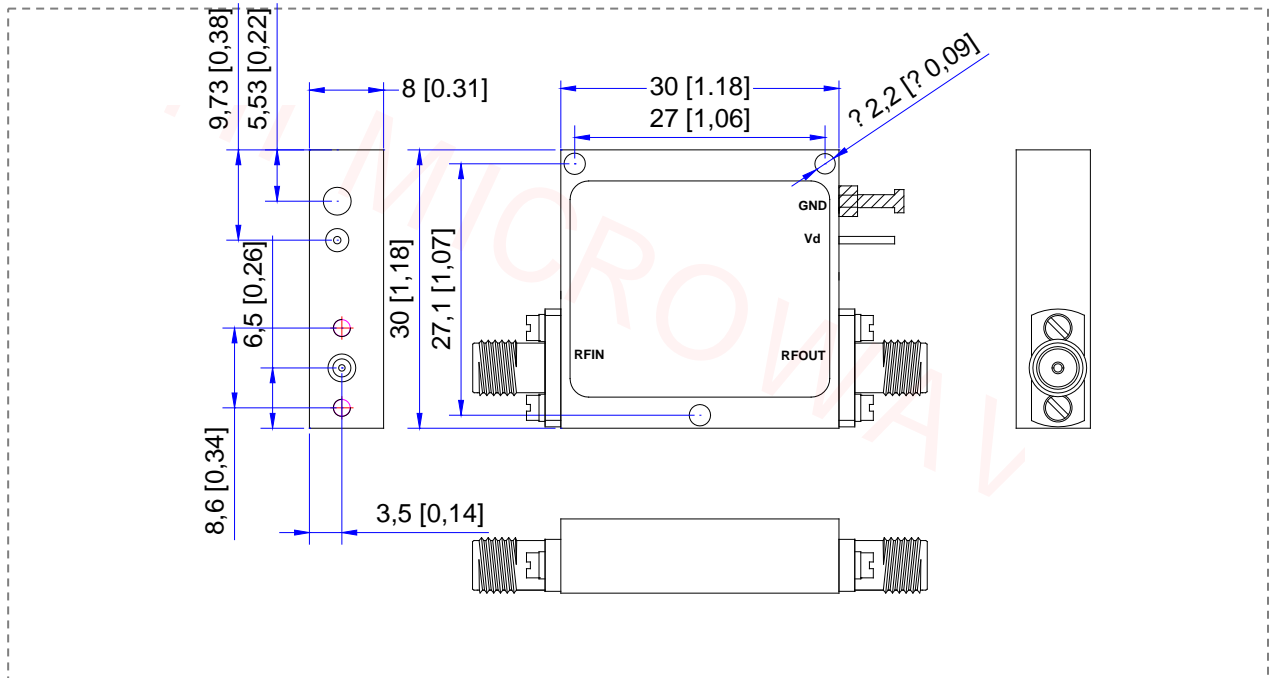


OBSERVE PRECAUTIONS  
ELECTROSTATIC  
SENSITIVE  
DEVICES



### Outline Drawing

All Dimensions in mm ( inches ) Tolerance  $\pm 0.25$  ( 0.01 )



**\*\*\*Heat Sink required during operation\*\*\***