



Note: The photo is for illustration purposes only.  
Please refer to outline drawing

### ■ Features

- Ultra Wide Band: 26-40GHz
- Gain: 45dB
- Output Power: 18dBm
- High Output IP3: 25dBm

### ■ Applications

- Radar Systems
- Communication Systems
- Receivers Systems

### □ Electrical Specifications

Parameter	Min.	Typ.	Max	Units
Frequency Range	26-40			GHz
Gain	43	45		dB
Gain Flatness		±1.5	±2	dB
Input VSWR		2.0	2.5	
Output VSWR		2.0	2.5	
Output Power for 1 dB Compression (P1dB)	18			dBm
Saturated Output Power (Psat)		19		dBm
Spurious		-60		dBc
Noise Figure		3	3.5	dB
Input Max Power(no damage)			-15	dBm
DC Current (Vcc=+15V)		240		mA
Impedance	50			Ω
Input Output Connector	2.92			
Material	Aluminium			
Weight	50g			
Size	40X35X12mm			
Package Sealing	General Sealing (Standard); Hermetically Seal(Optional)			

### Environmental Conditions

Operational Temperature	-45°C~+85°C	Vibration	25g rms (15 degree 2KHz) endurance, 1 hour per axis
Storage Temperature	-55°C~+125°C	Shock	20G for 11msc half sin wave, 3 axis both directions
Executive Standard	MIL-STD-810G	Humidity	100% RH at 35c, 95%RH at 40°C

### Absolute Maximum Ratings

Supply Bias Voltage	+15V
RF INPUT POWER	-15dBm
ESD sensitivity (HBm)	Class 0, passed 150V

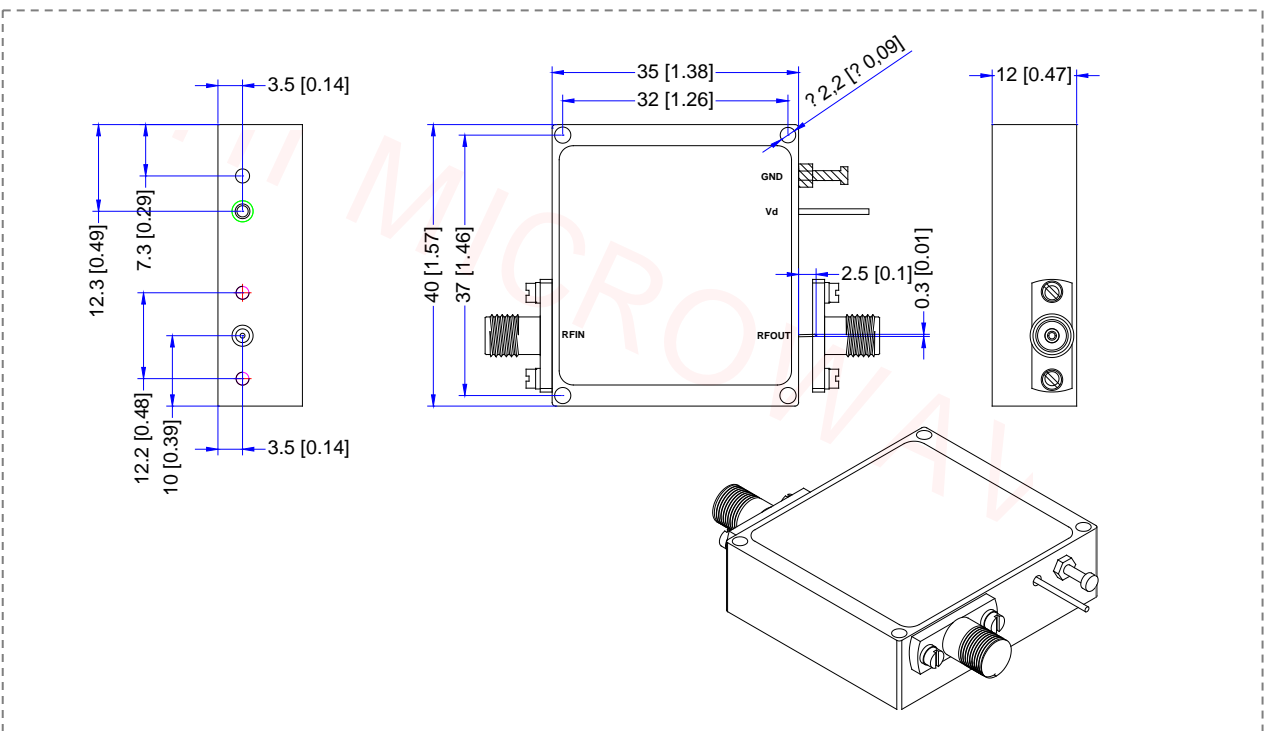


OBSERVE  
PRECAUTIONS  
ELECTROSTATIC  
SENSITIVE  
DEVICES



### Outline Drawing

All Dimensions in mm ( inches ) Tolerance  $\pm 0.25$  ( 0.01 )



**\*\*\*Heat Sink required during operation\*\*\***