

MODEL HILNA27302840

27-30GHz Low Noise Amplifier



■ Features

- Ultra Broadband: 27-30GHz
- Low Noise Figure: 4dB
- Output Power: 30dBm
- High OIP3: 37dBm
- Supply Voltage : +12V@ 600mA

■ Applications

- Radar Systems
- Communication Systems
- Receiving Systems

□ Electrical Specifications

Parameter	Min.	Typ.	Max.	Units
Frequency Range	27-30			GHz
Gain	28	30		dB
Gain Flatness		±1.5	±2	dB
Input VSWR		1.6	2.0	-
Output VSWR		1.6	2.0	-
Output Power for 1 dB Compression (P1dB)	28	30		dBm
Noise Figure		4	5	dB
OIP3		37		dBm
Input Max Power(no damage)			5	dBm
DC Current (VCC=+12V)		600		mA
Weight	100			g
Impedance	50			Ω
Input Connector	2.92-K(Removable)			
Output Connector	2.92-K(Removable)			
Material	Aluminum Gold Plating			
Package Sealing	Epoxy Sealing (Standard); Hermetically Seal(Optional)			

Environmental Conditions

Operational Temperature	-45°C~+85°C	Vibration	25g rms (15 degree 2KHz) endurance, 1 hour per axis
Storage Temperature	-55°C~+125°C	Shock	20G for 11msc half sin wave,3 axis both directions
Executive Standard	MIL-STD-810G	Humidity	100% RH at 35c, 95%RH at 40°C

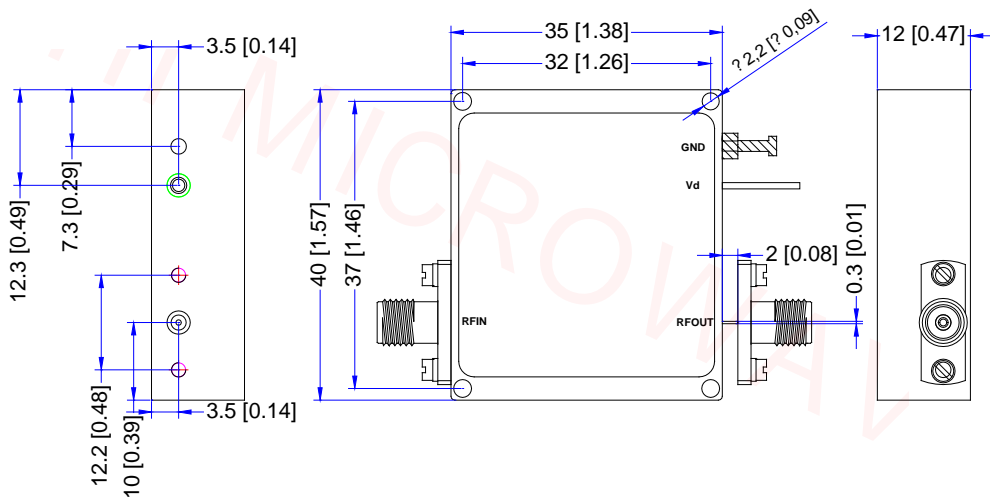
Absolute Maximum Ratings

Supply Bias Voltage	+14V
RF INPUT POWER	+5dBm
ESD sensitivity (HBm)	Class 0, passed 150V



Outline Drawing

All Dimensions in mm (inches) Tolerance ± 0.25 (0.01)



Heat Sink required during operation